

Installation Instructions

VW Jetta Sedan

VW City Jetta (Canada Only)

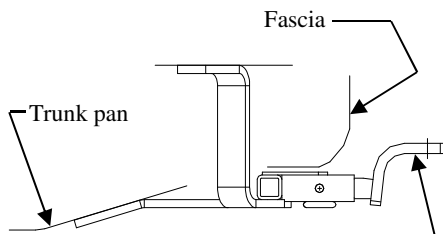
Except Turbo and all Wagons

Part Numbers:

24748

77106

24783



(Sold separately)

Drawbar Kit:

3593

Drawbar must be used in the **RISE** position only.

Do Not Exceed Lower of Towing Vehicle
Manufacturer's Rating or

2000 LB (908Kg) Max Gross Trailer Weight

200 LB (90.8 Kg) Max Tongue Weight

Wiring Access Location: PC3, PC4

Hitch Shown In Proper Position

Equipment Required:

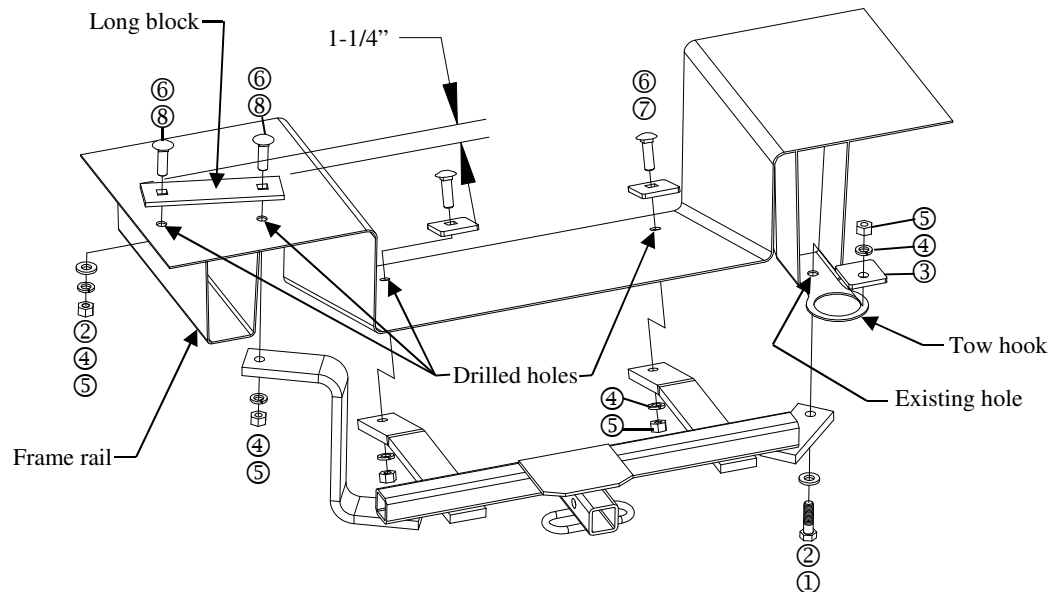
Fastener Kit: 24748F

Wrenches: 3/4", 7/8"

Drill Bits: 1/2"

Seal holes drilled in trunk pan to prevent intrusion of exhaust fumes and water.

Remove spare tire before drilling!



①	Qty. (1)	Bolt 1/2-13 X 1.75	⑤	Qty. (5)	Nut 1/2-13
②	Qty. (2)	Flat Washer	⑥	Qty. (4)	Carriage Bolt 1/2-13 X 1.75
③	Qty. (1)	Spacer	⑦	Qty. (2)	Spacer (sq. Holes)
④	Qty. (5)	Lock Washer	⑧	Qty. (1)	Bar (Long Block)

1. Note: Remove spare tire before drilling!

- Raise hitch into position and install the 1/2-13 hex bolt at tow hook location. Using the hitch as a template drill the three (3) 1/2" holes used for the attachment of the hitch as Shown above. Install three (3) 1/2-13 carriage bolts.
- After placing the long spacer (2 sq. Holes) in the approximate position shown inside the trunk pan use it as a template to drill the remaining 1/2" hole. Install remaining fasteners.
- Tighten all fasteners to the required torque specification.
- 5. Seal holes drilled in trunk pan to prevent intrusion of exhaust fumes and water.**
- Reinstall spare tire in trunk.

Tighten all 1/2" GR5 fasteners with torque wrench to 75 Lb.-Ft. (102 N*M)

Note: check hitch frequently, making sure all fasteners and ball are properly tightened. If hitch is removed, plug all holes in trunk pan or other body panels to prevent entry of water and exhaust fumes. A hitch or ball which has been damaged should be removed and replaced. Observe safety precautions when working beneath a vehicle and wear eye protection. Do not cut access or attachment holes with a torch.

This product complies with safety specifications and requirements for connecting devices and towing systems of the state of New York, V.E.S.C. Regulation V-5 and SAE J684.