

Installation Instructions

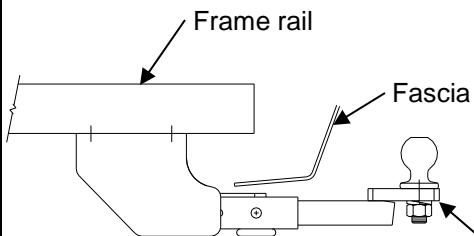
Suzuki Grand Vitara, Suzuki Vitara, (Includes XL-7), Chevrolet Tracker 2 & 4 DR.

Part Numbers:

24673

60942

77023



Drawbar Kit:

3591

(Sold separately)

Drawbar must be used in the **Rise** position only.

**Do Not Exceed Lower of Towing Vehicle
Manufacturer's Rating or**

2000 LB (908 Kg) Max Gross Trailer Weight

200 LB (90.8 Kg) Max Tongue Weight

Hitch Shown In Proper Position

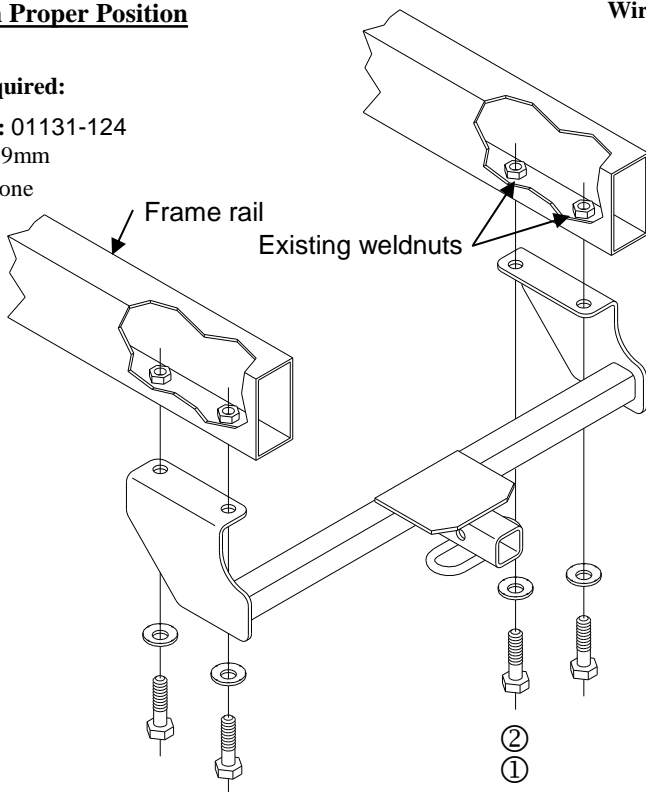
Wiring Access Location: SUV3

Equipment Required:

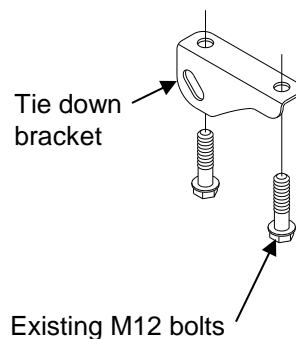
Fastener Kit: 01131-124

Wrenches: 19mm

Drill Bits: None



**Note: Fasteners typical
both sides**



① Qty. (4) Hex Bolt M12 X 1.25 X 40mm

② Qty. (4) Conical Washer

1. Remove driver's side tie-down brackets (if equipped). Return brackets and fasteners to vehicle owner.
2. Raise the hitch into position and install fasteners as shown above into existing weld-nuts.

Tighten all M12 CL8.8 fasteners with torque wrench to 67 Lb.-Ft. (91 N*M)

Note: check hitch frequently, making sure all fasteners and ball are properly tightened. If hitch is removed, plug all holes in trunk pan or other body panels to prevent entry of water and exhaust fumes. A hitch or ball which has been damaged should be removed and replaced. Observe safety precautions when working beneath a vehicle and wear eye protection. Do not cut access or attachment holes with a torch.

This product complies with safety specifications and requirements for connecting devices and towing systems of the state of New York, V.E.S.C. Regulation V-5 and SAE J684.