

**READ THIS FIRST:**

Read and follow all instructions carefully before beginning installation.

# Installation Instructions

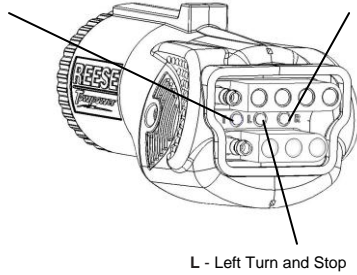


## 7-WAY Blade Wiring Adapters

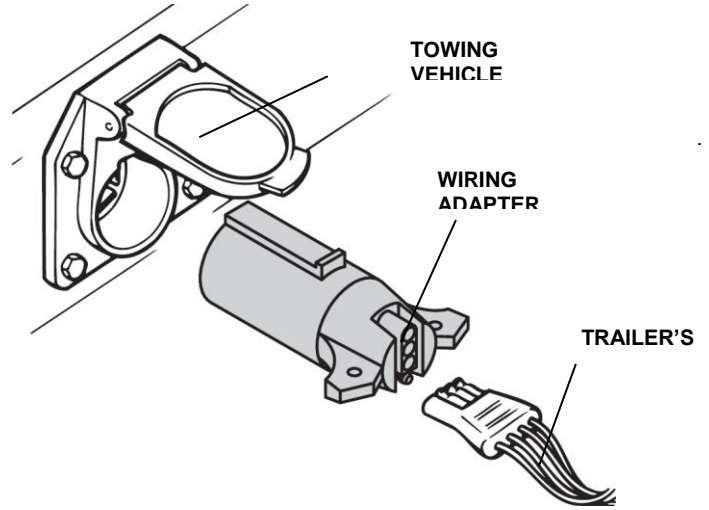
### WIRING ADAPTER WITH LED CIRCUIT TESTER

T - Tail Lights

R - Right Turn and Stop




L - Left Turn and Stop



TOWING VEHICLE

WIRING ADAPTER

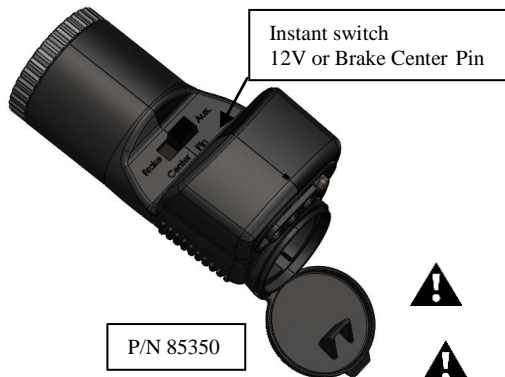
TRAILER'S

VEHICLE'S CONNECTOR	FUNCTIONS OF WIRING ADAPTER	TRAILER'S PLUG	CCP P/N
 <p>7-Way Blade, RV Type</p>	7-Way Blade To 4-way Flat	4-way Flat	74607
	7-Way Blade To 4-way Flat with LED tester		78116
	7-Way Blade To 4-way Flat, Retractable		78007
	7-Way Blade To 4-way Flat Tow-Glo		78117
	7-Way Blade To 6-way Round	6-way Round Pin	85216
	Combo 7-Way Blade To 6 way Round with Back-up alarm		74685
	Combo 7-Way Blade To 7-way Blade with Back-up alarm	7-way Blade	74680
	Combo 7-Way Blade To 4 & 5 way Flat with Back-up alarm		74679
	Combo 7-Way Blade To 4 & 5 way Flat with Back-up alarm	4-way or 5-way Flat	74678
	Combo 7-Way Blade To 4 & 5 way Flat		85212
	Combo 7-Way Blade To 4 & 5 way Flat with LED tester		78118
	Combo 7-Way Blade To 4 & 5 Flat with LED tester & 12V outlet		78119
Combo 7-Way Blade To 6-way Round & 4 Flat with LED tester	6-way Round Pin or 4-way Flat	85350*	

Plug wiring adapter into tow vehicle side connector to allow electrical connections between 7-way Blade Receptacle with variety of the trailer Plugs.

**NOTE:**

Wiring Adapters equipped with the built-in LED circuit testers will confirm that each connection is operating properly. Refer to the LED lights diagram shown.



Instant switch  
12V or Brake Center Pin

P/N 85350

**INSTANT SWITCH INSTRUCTIONS \*:**

- Determine which circuit is located on the center pin of the 6-PIN Trailer Connector (either BRAKE or Auxiliary).
- Slide switch on bottom of Adapter to match with the trailer Center Pin function.
- Test connections to be sure all circuits are connected properly before towing.

**WARNING**

All connections must be complete to function properly. Test and verify installation with a test light, circuit tester or trailer once installed.

**WARNING**

Overloading circuit can cause fires. **DO NOT** exceed lower of towing manufacturer rating or:

- Max. Right Turn, Left Turn, Stop, & Tail Light Circuits: (7.5 amps)
- Max. (+) Battery, Reverse, and Electric Brake Circuits: (30 amps)

Read vehicle's owners manual & instruction sheet for additional information. Additional fusing maybe required.