



! WARNING

To prevent **SERIOUS INJURY, DEATH or PROPERTY DAMAGE:**

- **ALWAYS read, understand and follow warnings and instructions for your hitch BEFORE installation. Keep for future reference.**
- **DO NOT cut, weld or modify this receiver.**
- **CHECK all fasteners are tight and your hitch is securely mounted to your vehicle periodically.**
- **ALWAYS read, understand and follow all warnings and instructions for your vehicle and for other accessories you will use with your hitch BEFORE use.**
- **LOAD the trailer heavier in front.**
- **DO NOT exceed lower of towing vehicle manufacturer’s rating or:**

Hitch Type	Max Gross Trailer Weight	Max Tongue Weight
Weight Carrying	18,000 Lb. (8172 Kg)	2000 Lb. (908 Kg)
Weight Distributing	18,000 Lb. (8172 Kg)	2500 Lb. (1135 Kg)

- **ALWAYS wear your seatbelt.**
- **SLOW DOWN when towing, NEVER exceed any posted speed limit.**
- **If EXCESS SWAY occurs, take your foot off the gas pedal and hold the steering wheel as steady as possible. DO NOT apply your brakes and DO NOT speed up.**

LIMITED LIFETIME WARRANTY

1. **Limited Lifetime Warranty (“Warranty”).** Cequent Performance Products, Inc. (“We”, “Us” or “Our”) warrants to the original consumer purchaser only (“You” or “Your”) that the product will be free from material defects in both material and workmanship, ordinary wear and tear excepted. The Warranty is valid only if (a) the products are returned to Us for inspection and testing; (b) Our inspection discloses to Our satisfaction that any alleged nonconformance are material and have not been caused by misuse, neglect, wear and tear, improper installation, unsuitable storage, improper repair, alteration, or accident; and (c) the products were installed, maintained and used in accordance with Our instructions. THE WARRANTY IS MADE IN LIEU OF ALL OTHER WARRANTIES, EXPRESS OR IMPLIED (OTHER THAN THE WARRANTY OF TITLE AS PROVIDED BY THE UNIFORM COMMERCIAL CODE IN EFFECT IN MICHIGAN), INCLUDING WITHOUT LIMITATION, ANY WARRANTIES OF MERCHANTABILITY OR FITNESS FOR A PARTICULAR PURPOSE, SAID WARRANTIES BEING EXPRESSLY DISCLAIMED.
2. **Obligations of Purchaser.** Any returned product that is replaced by Us becomes our property. You may be responsible for return shipping costs. Please retain your purchase receipt to verify date of purchase and that You are the original consumer purchaser. The product and the purchase receipt must be provided to Us in order to process Your Warranty claim.
3. **Exclusive Remedy.** Product replacement is Your sole and exclusive remedy under this Warranty. We shall not be liable for service or labor charges incurred in removing or replacing a product. IN NO EVENT WILL WE BE RESPONSIBLE FOR ANY INDIRECT, SPECIAL, CONSEQUENTIAL OR PUNITIVE DAMAGES.
4. **Assumption of Risk.** You acknowledge and agree that any use of the product for any purpose other than the specified use(s) stated in the product instructions is at Your own risk.
5. **Governing Law.** This Warranty gives You specific legal rights, and You also may have other rights which vary from state to state. This Warranty is governed by the laws of the State of Michigan, without regard to rules pertaining to conflicts of law. The state courts located in Oakland County, Michigan shall have exclusive jurisdiction for any disputes relating to this Warranty.



Applications:

Years	Make	Models
2001 - 2010*	Chevy/GMC	2500HD 3500 3500HD

*Visit our website for the most up to date information regarding application years and trim levels.

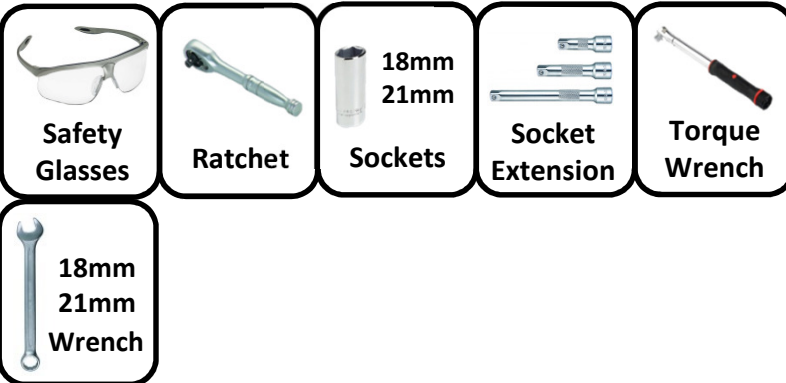
Installation Time: 25 min

The time listed above is the average time for professional installers. If you do not feel comfortable performing this installation on your own or are in need of assistance, please contact a professional installer.



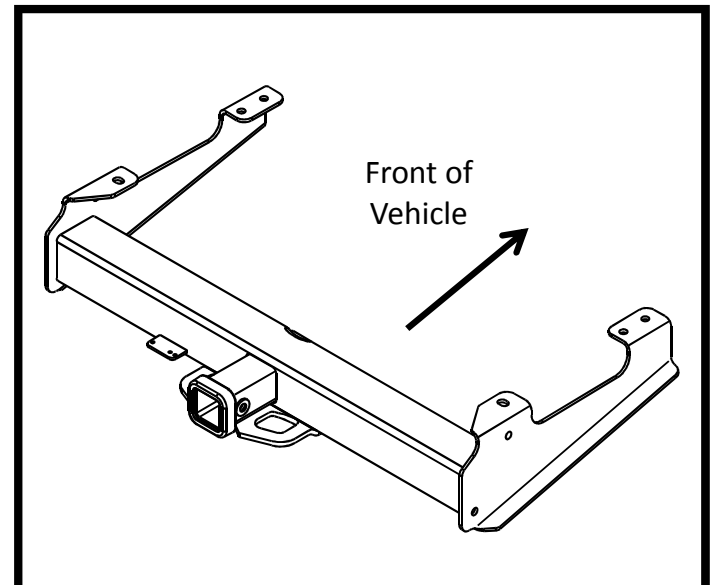
Representative Vehicle Photo

Equipment Required:



**DO NOT EXCEED LOWER OF TOWING VEHICLE
MANUFACTURER'S RATING OR:**

Hitch Type	Max Gross Trailer Weight	Max Tongue Weight
Weight Carrying	18,000 Lb. (8172 Kg)	2000 Lb. (908 Kg)
Weight Distributing	18,000 Lb. (8172 Kg)	2500 Lb. (1135 Kg)



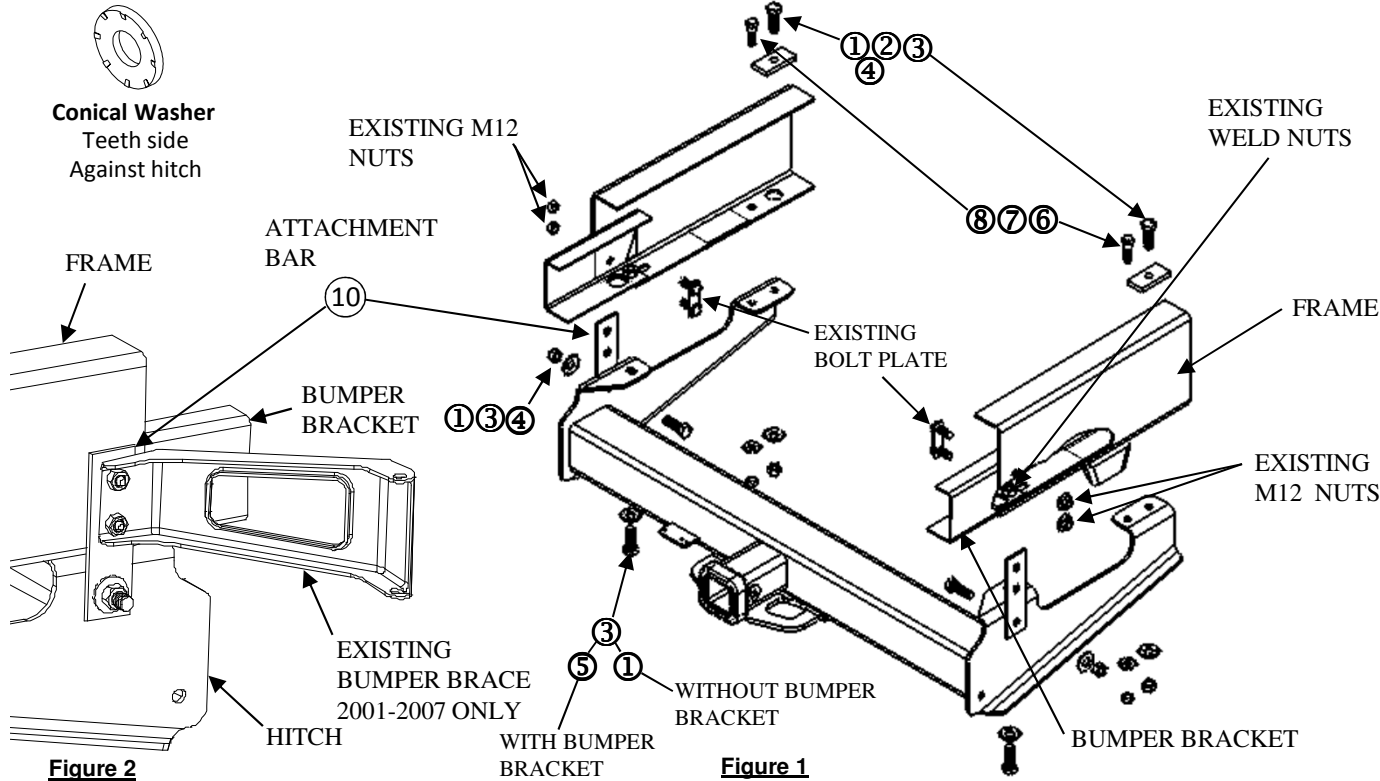
Hitch Illustration

Always wear SAFETY GLASSES when installing hitch

Installation Instructions

PART NUMBERS: 45519, 45719

Fastener Kit: 45519F



1	(6)	Hex bolt (Fine thread) M14-1.50 x 45mm CL10.9	
2	(2)	Block 3/8 x 1.50 x 3.00	
3	(6)	Washer conical 5/8"	
4	(6)	Hex nut (Fine thread) M14-1.50 CL10	
5	(2)	Hex bolt (Coarse thread) M14-2.00 x 45mm CL10.9	
6	(6)	Hex bolt M12-1.75 x 45mm CL10.9	
7	(10)	Washer conical 1/2"	
8	(10)	Hex nut M12-1.75 CL10	
9	(2)	Block 1/4 x 1.50 x 2.00	
10	(2)	Attachment Bar *Not in Fastener Kit	

Fasteners - Typical both sides

1. Remove the bottom M14 bolts at the end of the frame that help attach the bumper brackets.
2. Remove the side M12 nuts and bolt plates at the end of the frame. Keep these for re-installation later.
*Bumper bracket still has one bolt per side and will not move.
3. If installing on a 2001–07 model loosen the nuts at the bumper end of the bumper brace to allow the brace to swing away from the frame.
4. Raise hitch into position and loosely install the M14 bolts and conical washers (Item 5 and 3) into the weld nut in the bumper bracket.
5. Place attachment bar as shown and loosely bolt to hitch.
6. If equipped with bumper braces, swing them back into position and reinstall bolt plates removed in step 3. See figure 2.
7. Install all of the remaining fasteners as shown in figure 1 and tighten. Not all fasteners may be used on your application – see below.

VEHICLE WITHOUT BUMPER – Use the extra 1/4 x 1-1/2 x 2 blocks (item 9) and M14 nut (item 4) in place of bumper bracket and weld nut. Use the extra fine thread M14 bolts (item 1) in this case. In place of the bolt plate fasteners - use (4) M12 bolts (item 6), (8) conical washers (item 7) one inside of frame and one outside of frame, (4) nuts (item 8), and (4) jam nuts (item 8).

Tighten all M14 x 2.0 fasteners with torque wrench to 115 Lb.-Ft. (156 N*M)

Tighten all M14 x 1.5 fasteners with torque wrench to 145 Lb.-Ft. (201N*M)

Tighten all M12 x 1.75 fasteners with torque wrench to 92 Lb.-Ft. (125 N*M)

⚠ Proper torque is needed to keep the hitch secure to the vehicle when towing.

Note: check hitch frequently, making sure all fasteners and ball are properly tightened. If hitch is removed, plug all holes in trunk pan or other body panels to prevent entry of water and exhaust fumes. A hitch or ball which has been damaged should be removed and replaced. Observe safety precautions when working beneath a vehicle and wear eye protection. Do not cut access or attachment holes with a torch. This product complies with safety specifications and requirements for connecting devices and towing systems of the state of New York, V.E.S.C. Regulation V-5 and SAE J684.