



# Installation Instructions

**PART NUMBERS: 45508, 45708,  
CQT45297**

## **! WARNING**

**To prevent SERIOUS INJURY, DEATH or PROPERTY DAMAGE:**

- **ALWAYS read, understand and follow warnings and instructions for your hitch BEFORE installation. Keep for future reference.**
- **DO NOT cut, weld or modify this receiver.**
- **CHECK all fasteners are tight and your hitch is securely mounted to your vehicle periodically.**
- **ALWAYS read, understand and follow all warnings and instructions for your vehicle and for other accessories you will use with your hitch BEFORE use.**
- **LOAD the trailer heavier in front.**
- **DO NOT exceed lower of towing vehicle manufacturer’s rating or:**

Hitch Type	Max Gross Trailer Weight	Max Tongue Weight
Weight Carrying	18,000lb.(8172 kg)	2,000lb. (908 kg)
Weight Distributing	18,000lb.(8172 kg)	2,500lb. (1135 kg)

- **ALWAYS wear your seatbelt.**
- **SLOW DOWN when towing, NEVER exceed any posted speed limit.**
- **If EXCESS SWAY occurs, take your foot off the gas pedal and hold the steering wheel as steady as possible. DO NOT apply your brakes and DO NOT speed up.**

## **LIMITED LIFETIME WARRANTY**

1. **Limited Lifetime Warranty (“Warranty”).** Cequent Performance Products, Inc. (“We”, “Us” or “Our”) warrants to the original consumer purchaser only (“You” or “Your”) that the product will be free from material defects in both material and workmanship, ordinary wear and tear excepted. The Warranty is valid only if (a) the products are returned to Us for inspection and testing; (b) Our inspection discloses to Our satisfaction that any alleged nonconformance are material and have not been caused by misuse, neglect, wear and tear, improper installation, unsuitable storage, improper repair, alteration, or accident; and (c) the products were installed, maintained and used in accordance with Our instructions. THE WARRANTY IS MADE IN LIEU OF ALL OTHER WARRANTIES, EXPRESS OR IMPLIED (OTHER THAN THE WARRANTY OF TITLE AS PROVIDED BY THE UNIFORM COMMERCIAL CODE IN EFFECT IN MICHIGAN), INCLUDING WITHOUT LIMITATION, ANY WARRANTIES OF MERCHANTABILITY OR FITNESS FOR A PARTICULAR PURPOSE, SAID WARRANTIES BEING EXPRESSLY DISCLAIMED.
2. **Obligations of Purchaser.** Any returned product that is replaced by Us becomes our property. You may be responsible for return shipping costs. Please retain your purchase receipt to verify date of purchase and that You are the original consumer purchaser. The product and the purchase receipt must be provided to Us in order to process Your Warranty claim.
3. **Exclusive Remedy.** Product replacement is Your sole and exclusive remedy under this Warranty. We shall not be liable for service or labor charges incurred in removing or replacing a product. IN NO EVENT WILL WE BE RESPONSIBLE FOR ANY INDIRECT, SPECIAL, CONSEQUENTIAL OR PUNITIVE DAMAGES.
4. **Assumption of Risk.** You acknowledge and agree that any use of the product for any purpose other than the specified use(s) stated in the product instructions is at Your own risk.
5. **Governing Law.** This Warranty gives You specific legal rights, and You also may have other rights which vary from state to state. This Warranty is governed by the laws of the State of Michigan, without regard to rules pertaining to conflicts of law. The state courts located in Oakland County, Michigan shall have exclusive jurisdiction for any disputes relating to this Warranty.

# Cequent™ Performance Products, Inc. Installation Instructions



**PART NUMBERS: 45508, 45708, CQT45297**

## Applications:

Years	Make	Models
99-16	Ford	F-250
99-16	Ford	F-350
08-15	Ford	F-450

\*Visit our website for the most up to date information regarding application years and trim levels.

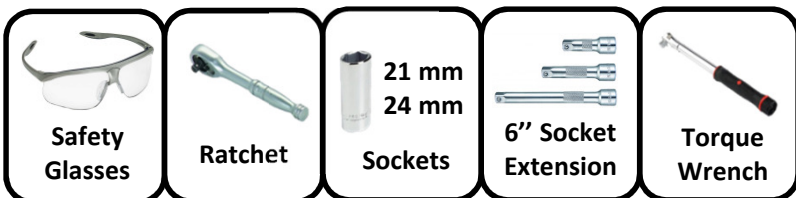
## Installation Time: **50 min**

The time listed above is the average time for professional installers. If you do not feel comfortable performing this installation on your own or are in need of assistance, please contact a professional installer.



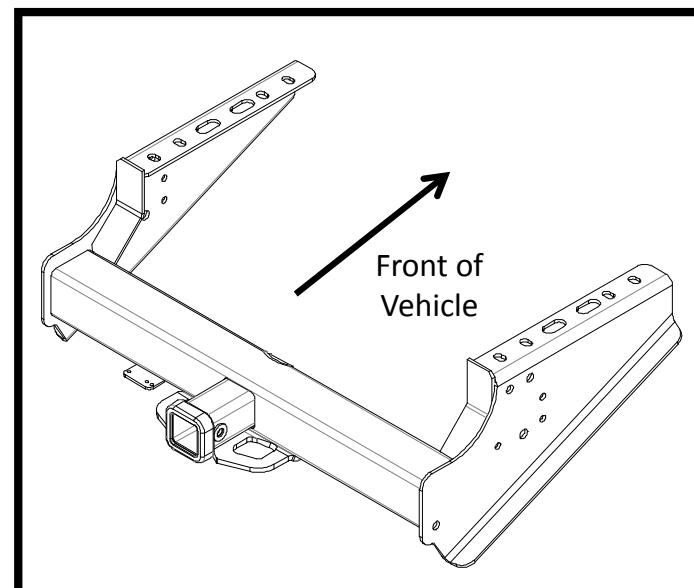
**Representative Vehicle Photo**

## Equipment Required:



## DO NOT EXCEED LOWER OF TOWING VEHICLE MANUFACTURER'S RATING OR:

Hitch Type	Max Gross Trailer Weight	Max Tongue Weight
Weight Carrying	18,000 lb.(8172 kg)	2,000 lb. (908 kg)
Weight Distributing	18,000 lb.(8172 kg)	2,500 lb. (1135 kg)






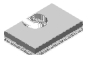
**Hitch Illustration**

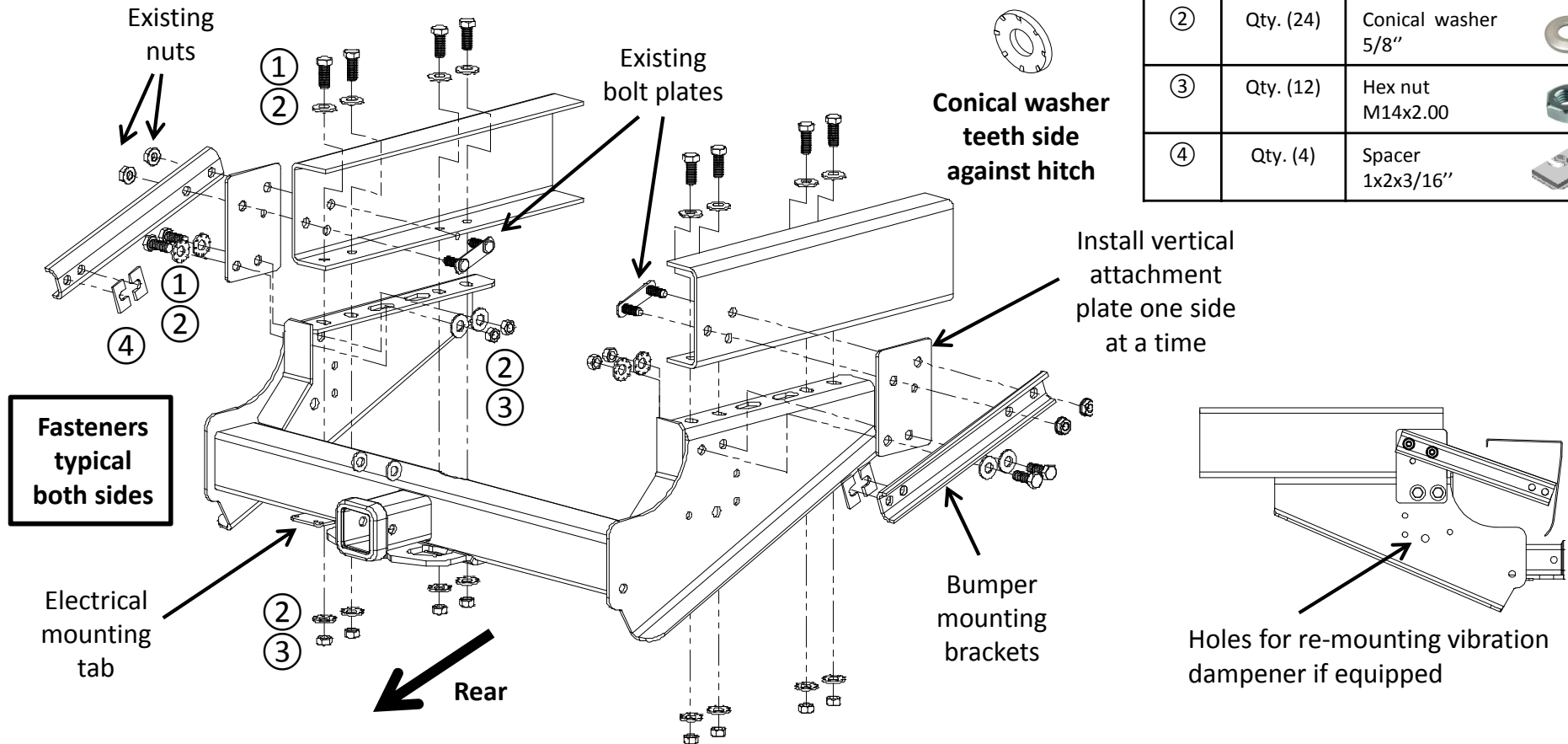
**Always wear SAFETY GLASSES when installing hitch**

# Installation Instructions

## PART NUMBERS: 45508, 45708, CQT45297

**Fastener Kit: 45508F**

①	Qty. (12)	Bolt M14 2.00x45mm, CL 10.9	
②	Qty. (24)	Conical washer 5/8"	
③	Qty. (12)	Hex nut M14x2.00	
④	Qty. (4)	Spacer 1x2x3/16"	



1. Lower spare tire. Remove electrical plug mounting bracket, vibration dampener, and factory hitch if equipped. (large breaker bar may be required).
2. Insert the bolts and washers into the frame.
3. Raise hitch into place and finger tighten washers and nuts.
4. **-Working on one side at a time**, loosen the bolts from the bumper mounting bracket to the bumper enough to slide in the 3/16" spacers (item 4). adjust the bumper location before re-tightening of these bolts. repeat on other side
5. Place a block of wood between new hitch and bumper to support bumper for next step.
6. **-Working on one side at a time**, remove the nuts and bolt plates attaching the bumper mounting bracket to the frame. slide the vertical attachment between the two and re-install the factory bolt plates and nuts. adjust the bumper location before re-tightening of these bolts. repeat on other side
7. Using the hole pattern in the electrical mount tab, drill new holes in the factory electrical bracket and secure. fasteners not included.
8. **Tighten all M12 fasteners with torque wrench to 92 Lb.-Ft. (125 N\*M) and all M14 fasteners to 115 Lb.-Ft. (156 N\*M)**
9. Raise spare tire.

**⚠ Proper torque is needed to keep the hitch secure to the vehicle when towing.**

Note: check hitch frequently, making sure all fasteners and ball are properly tightened. If hitch is removed, plug all holes in trunk pan or other body panels to prevent entry of water and exhaust fumes. A hitch or ball which has been damaged should be removed and replaced. Observe safety precautions when working beneath a vehicle and wear eye protection. Do not cut access or attachment holes with a torch.

This product complies with safety specifications and requirements for connecting devices and towing systems of the state of New York, V.E.S.C. Regulation V-5 and SAE J684.