

Installation Instructions

Part Numbers:

Toyota Sienna

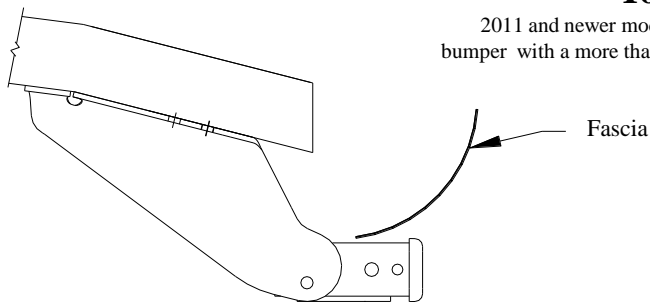
2011 and newer models: Hitch cross-tube is visible beneath bumper with a more than normal gap between fascia and cross-tube.

75237

87698

44786

78270 U-Haul



Hitch Shown In Proper Position

Equipment Required:

Fastener Kit: 75237F

Wrenches: 19mm

Drill Bits: None

Do Not Exceed Lower of Towing Vehicle Manufacturer's Rating or

Hitch type	Max Gross Trailer WT (LB)	Max Tongue WT (LB)
Weight Distributing	5,000 (2270Kg)	675(306Kg)
Weight Carrying Ball Mount	4,500 (2043Kg)	675(306Kg)

Wiring Access Location: SUV1, SUV2

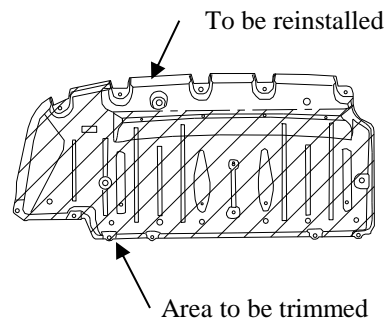
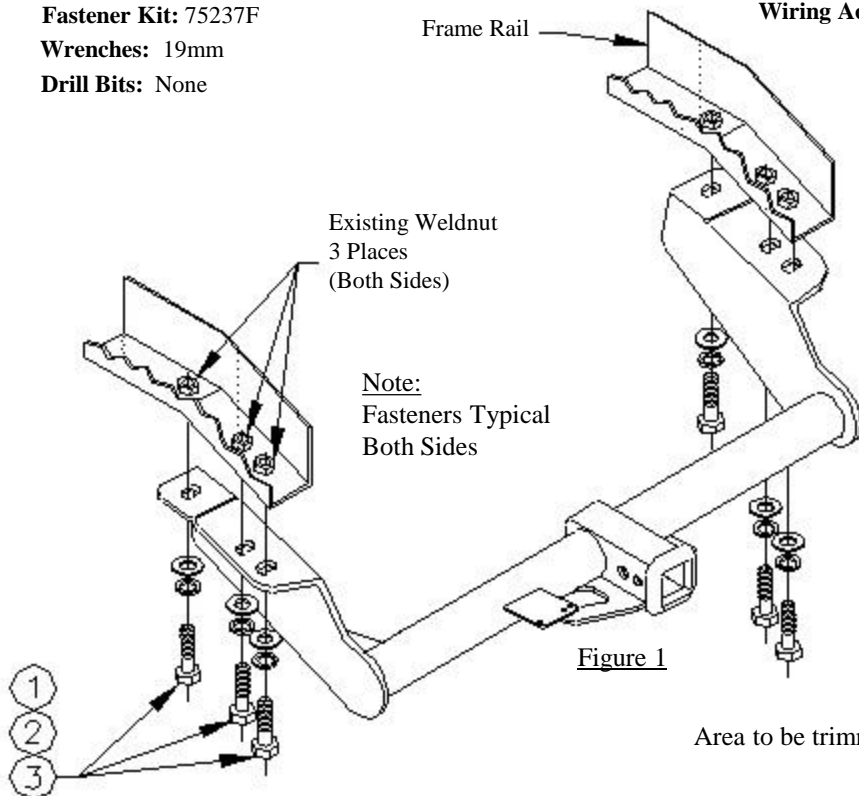
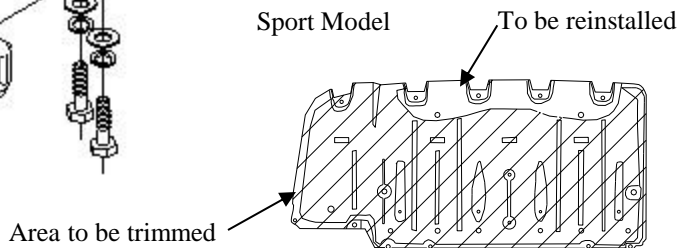


Figure 2



①	Qty. (6)	Flat Washer, 1/2"	③	Qty. (6)	Hex Bolt, M12 x 1.25 x 40mm
②	Qty. (6)	Lock Washer, 1/2"			

For vehicles with appearance panel:

Remove appearance panel which covers the trunk pan. This panel will need to be trimmed or not reinstalled on vehicle. Ask vehicle owner their choice before starting installation. See Figure 2

1. Lower the exhaust by detaching it from the rubber isolator.
2. Raise hitch into position and install hex bolts, lock washers and flat washers into existing weldnuts in frame, as shown above.
3. Raise exhaust back into position and reattach to the rubber isolator.
4. Reinstall trimmed cover panel removed. Or return untrimmed panel to vehicle owner.

Tighten all M12 CL10.9 fasteners with torque wrench to 75 Lb.-Ft (102 N-m).

Note: check hitch frequently, making sure all fasteners and ball are properly tightened. If hitch is removed, plug all holes in trunk pan or other body panels to prevent entry of water and exhaust fumes. A hitch or ball which has been damaged should be removed and replaced. Observe safety precautions when working beneath a vehicle and wear eye protection. Do not cut access or attachment holes with a torch.

This product complies with safety specifications and requirements for connecting devices and towing systems of the state of New York, V.E.S.C. Regulation V-5 and SAE J684.