



## ⚠ WARNING

**To prevent SERIOUS INJURY, DEATH or PROPERTY DAMAGE:**

- **ALWAYS read, understand and follow warnings and instructions for your hitch BEFORE installation. Keep for future reference.**
- **DO NOT cut, weld or modify this receiver.**
- **CHECK all fasteners are tight and your hitch is securely mounted to your vehicle periodically.**
- **ALWAYS read, understand and follow all warnings and instructions for your vehicle and for other accessories you will use with your hitch BEFORE use.**
- **LOAD the trailer heavier in front.**
- **DO NOT exceed lower of towing vehicle manufacturer’s rating or:**

Hitch Type	Max Gross Trailer Weight	Max Tongue Weight
Weight Carrying	8000 lb. (3632 kg)	800 lb. (363 kg)
Weight Distributing	N/A	N/A

- **ALWAYS wear your seatbelt.**
- **SLOW DOWN when towing, NEVER exceed any posted speed limit.**
- **If EXCESS SWAY occurs, take your foot off the gas pedal and hold the steering wheel as steady as possible. DO NOT apply your brakes and DO NOT speed up.**

## LIMITED LIFETIME WARRANTY

1. **Limited Lifetime Warranty (“Warranty”).** Cequent Performance Products, Inc. (“We”, “Us” or “Our”) warrants to the original consumer purchaser only (“You” or “Your”) that the product will be free from material defects in both material and workmanship, ordinary wear and tear excepted. The Warranty is valid only if (a) the products are returned to Us for inspection and testing; (b) Our inspection discloses to Our satisfaction that any alleged nonconformance are material and have not been caused by misuse, neglect, wear and tear, improper installation, unsuitable storage, improper repair, alteration, or accident; and (c) the products were installed, maintained and used in accordance with Our instructions. **THE WARRANTY IS MADE IN LIEU OF ALL OTHER WARRANTIES, EXPRESS OR IMPLIED (OTHER THAN THE WARRANTY OF TITLE AS PROVIDED BY THE UNIFORM COMMERCIAL CODE IN EFFECT IN MICHIGAN), INCLUDING WITHOUT LIMITATION, ANY WARRANTIES OF MERCHANTABILITY OR FITNESS FOR A PARTICULAR PURPOSE, SAID WARRANTIES BEING EXPRESSLY DISCLAIMED.**
2. **Obligations of Purchaser.** Any returned product that is replaced by Us becomes our property. You may be responsible for return shipping costs. Please retain your purchase receipt to verify date of purchase and that You are the original consumer purchaser. The product and the purchase receipt must be provided to Us in order to process Your Warranty claim.
3. **Exclusive Remedy.** Product replacement is Your sole and exclusive remedy under this Warranty. We shall not be liable for service or labor charges incurred in removing or replacing a product. **IN NO EVENT WILL WE BE RESPONSIBLE FOR ANY INDIRECT, SPECIAL, CONSEQUENTIAL OR PUNITIVE DAMAGES.**
4. **Assumption of Risk.** You acknowledge and agree that any use of the product for any purpose other than the specified use(s) stated in the product instructions is at Your own risk.
5. **Governing Law.** This Warranty gives You specific legal rights, and You also may have other rights which vary from state to state. This Warranty is governed by the laws of the State of Michigan, without regard to rules pertaining to conflicts of law. The state courts located in Oakland County, Michigan shall have exclusive jurisdiction for any disputes relating to this Warranty.



## Applications:

Years	Make	Models
2015-Current*	Land Rover	Range Rover Sport

\*Visit our website for the most up to date information regarding application years and trim levels.

## Installation Time: **45 min**

The time listed above is the average time for professional installers. If you do not feel comfortable performing this installation on your own or are in need of assistance, please contact a professional installer.



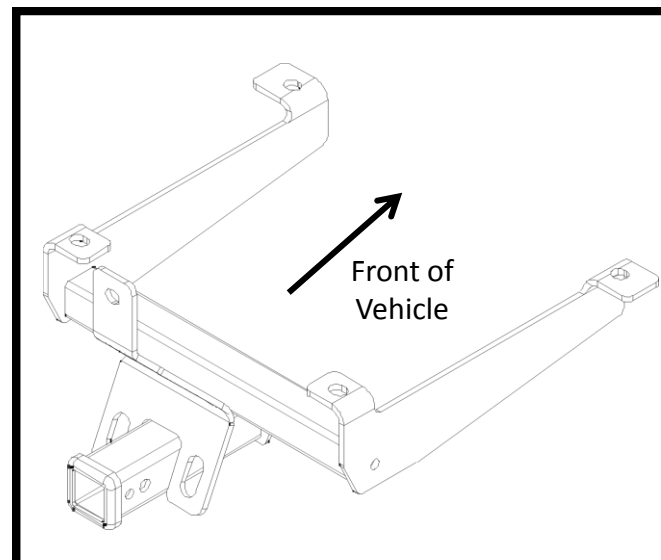
**Representative Vehicle Photo**

## Equipment Required:

Safety Glasses	Ratchet	10 mm 19 mm Sockets	Torque Wrench	Utility Knife
Phillips Screwdriver	Flat Head Screw Driver			

## DO NOT EXCEED LOWER OF TOWING VEHICLE MANUFACTURER'S RATING OR:

Hitch Type	Max Gross Trailer Weight	Max Tongue Weight
Weight Carrying	8000 lb. (3632 kg)	800 lb. (363 kg)
Weight Distributing	N/A	N/A



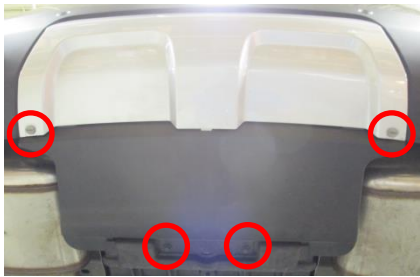
**Hitch Illustration**

**Always wear SAFETY GLASSES when installing hitch**

# Installation Instructions

**PART NUMBERS: 75229, 87693, 44781**

Fastener Kit: 75229F			
①	Qty. (4)	Bolt M12 1.75x35, CL 10.9	
②	Qty. (2)	Conical washer ½"	
③	Qty. (3)	Flat washer ½"	
④	Qty. (2)	Lock washer ½"	
⑤	Qty. (1)	Bolt ½-13-5, GR5	
⑥	Qty. (1)	Flange nut ½-13, GR5	



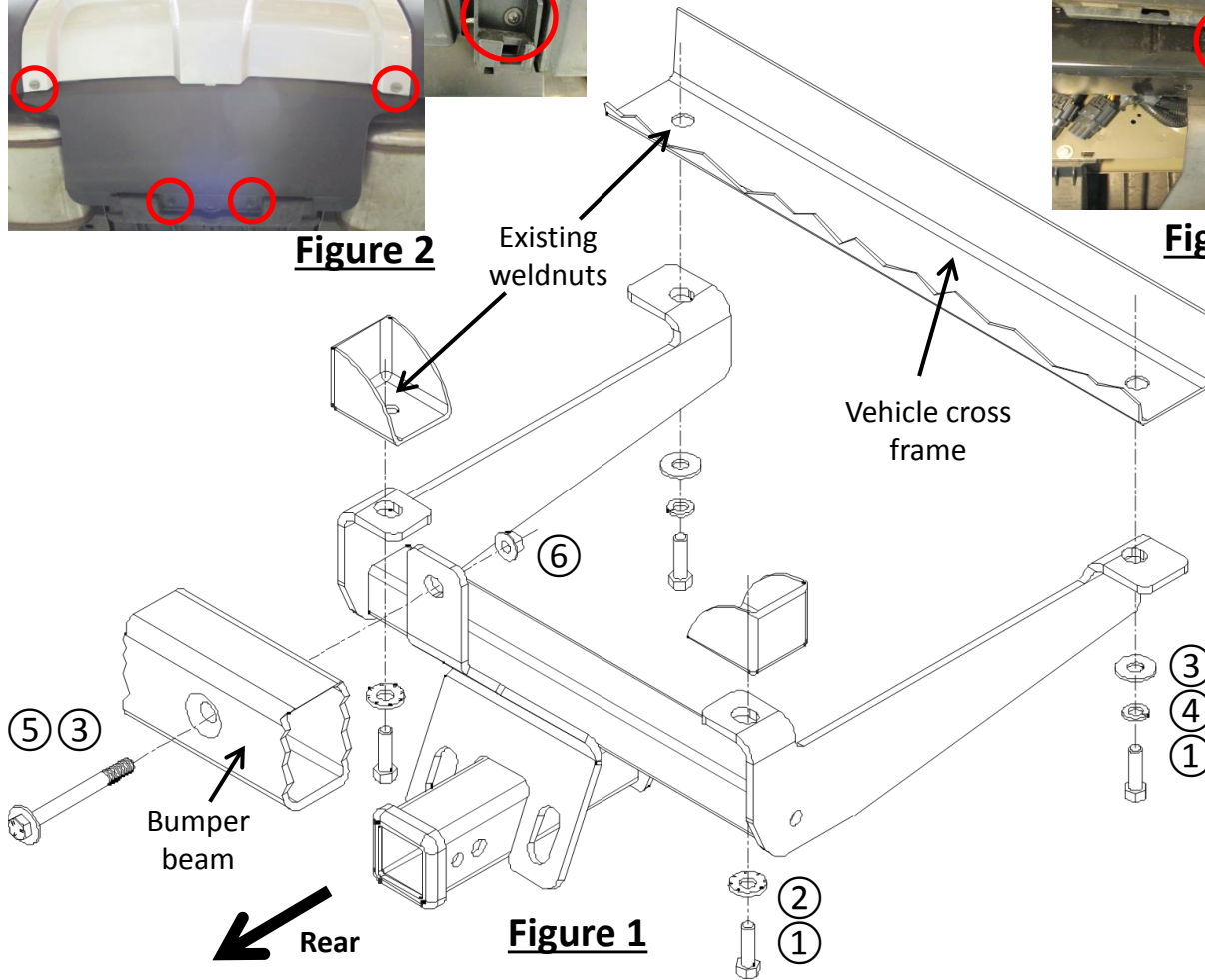
**Figure 2**



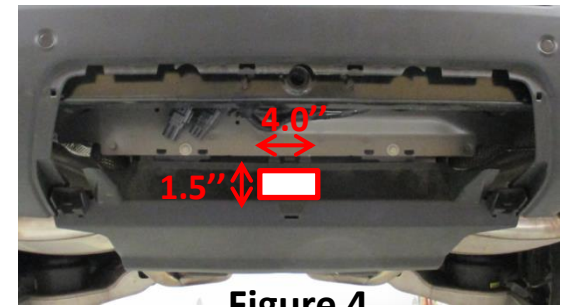
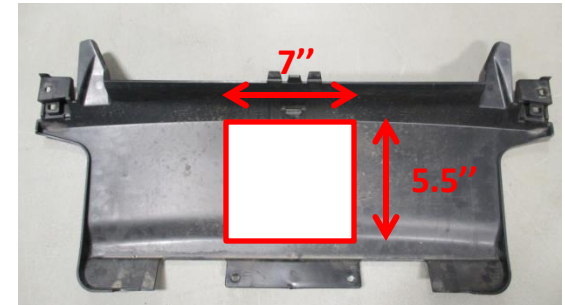
Existing weldnuts



**Figure 3**



**Figure 1**



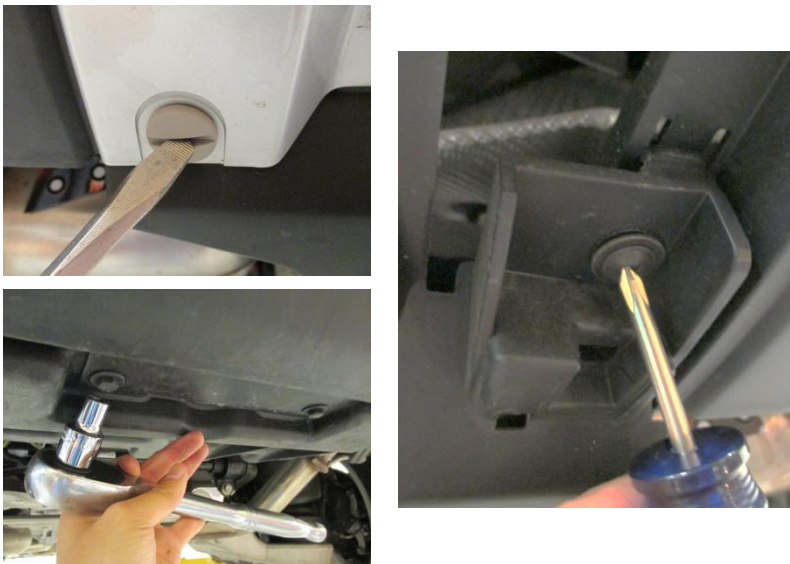
**Figure 4**

- Bottom appearance panel removal – use flat head screwdriver to remove (2) plastic rivets attached on upper panel and take upper panel down, see Figure 2. Use 10 mm socket and phillips screwdriver to remove (4) bolts attached on lower panel and take lower panel down, see Figure 2.
- Hitch installation – raise the hitch into position and loosely install M12 bolt ① with washer ② at rearward vehicle cross frame weldnuts, and M12 bolt ① with washers ③④ at forward vehicle cross frame weldnuts, see Figure 1. Insert bolt ⑤ and flat washer ③ into bumper beam and loosely secure it with flange nut ⑥, see Figure 3.
- Tighten all fasteners with torque wrench to 75 Lb.-Ft. (102 N\*M).**  
**⚠ Proper torque is needed to keep the hitch secure to the vehicle when towing.**
- Lower panel trimming – trim lower panel as shown in Figure 4. Make additional trimming if needed.
- Reinstall the upper and lower appearance panel removed in Step 1.

Note: check hitch frequently, making sure all fasteners and ball are properly tightened. If hitch is removed, plug all holes in trunk pan or other body panels to prevent entry of water and exhaust fumes. A hitch or ball which has been damaged should be removed and replaced. Observe safety precautions when working beneath a vehicle and wear eye protection. Do not cut access or attachment holes with a torch.

This product complies with safety specifications and requirements for connecting devices and towing systems of the state of New York, V.E.S.C. Regulation V-5 and SAE J684.

1. Bottom appearance panel removal – use flat head screwdriver to remove (2) plastic rivets attached on upper panel and take upper panel down, see Figure 2. Use 10 mm socket and philips screwdriver to remove (4) bolts attached on lower panel and take lower panel down, see Figure 2.

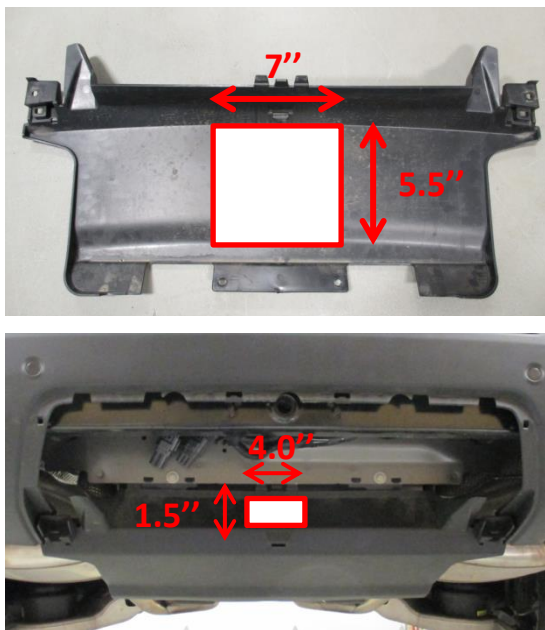


2. Hitch installation – raise the hitch into position and loosely install M12 bolt (1) and washers (2) (3) (4) through bracket slot into frame weldnuts, see Figure 1. Insert bolt (5), and flat washer (3) into bumper beam and loosely secure it with flange nut (6), see Figure 3.

3. **Tighten all fasteners with torque wrench to 75 lb.-ft. (102 N\*M).**  
⚠ Proper torque is needed to keep the hitch secure to the vehicle when towing.



4. Lower panel trimming – trim lower panel as shown in Figure 4. Make additional trimming if needed.



5. Reinstall the upper and lower appearance panel removed in Step 1.

