



Installation Instructions

PART NUMBERS: 75225, 87691, 44778

WARNING

To prevent **SERIOUS INJURY, DEATH or PROPERTY DAMAGE:**

- **ALWAYS read, understand and follow warnings and instructions for your hitch BEFORE installation. Keep for future reference.**
- **DO NOT cut, weld or modify this receiver.**
- **CHECK all fasteners are tight and your hitch is securely mounted to your vehicle periodically.**
- **ALWAYS read, understand and follow all warnings and instructions for your vehicle and for other accessories you will use with your hitch BEFORE use.**
- **LOAD the trailer heavier in front.**
- **DO NOT exceed lower of towing vehicle manufacturer’s rating or:**

Hitch Type	Max Gross Trailer Weight	Max Tongue Weight
Weight Carrying	6000 lb. (2724 kg)	900 lb. (409 kg)
Weight Distributing	8000 lb. (3632 kg)	900 lb. (409 kg)

- **ALWAYS wear your seatbelt.**
- **SLOW DOWN when towing, NEVER exceed any posted speed limit.**
- **If EXCESS SWAY occurs, take your foot off the gas pedal and hold the steering wheel as steady as possible. DO NOT apply your brakes and DO NOT speed up.**

LIMITED LIFETIME WARRANTY

1. **Limited Lifetime Warranty (“Warranty”).** Cequent Performance Products, Inc. (“We”, “Us” or “Our”) warrants to the original consumer purchaser only (“You” or “Your”) that the product will be free from material defects in both material and workmanship, ordinary wear and tear excepted. The Warranty is valid only if (a) the products are returned to Us for inspection and testing; (b) Our inspection discloses to Our satisfaction that any alleged nonconformance are material and have not been caused by misuse, neglect, wear and tear, improper installation, unsuitable storage, improper repair, alteration, or accident; and (c) the products were installed, maintained and used in accordance with Our instructions. **THE WARRANTY IS MADE IN LIEU OF ALL OTHER WARRANTIES, EXPRESS OR IMPLIED (OTHER THAN THE WARRANTY OF TITLE AS PROVIDED BY THE UNIFORM COMMERCIAL CODE IN EFFECT IN MICHIGAN), INCLUDING WITHOUT LIMITATION, ANY WARRANTIES OF MERCHANTABILITY OR FITNESS FOR A PARTICULAR PURPOSE, SAID WARRANTIES BEING EXPRESSLY DISCLAIMED.**
2. **Obligations of Purchaser.** Any returned product that is replaced by Us becomes our property. You may be responsible for return shipping costs. Please retain your purchase receipt to verify date of purchase and that You are the original consumer purchaser. The product and the purchase receipt must be provided to Us in order to process Your Warranty claim.
3. **Exclusive Remedy.** Product replacement is Your sole and exclusive remedy under this Warranty. We shall not be liable for service or labor charges incurred in removing or replacing a product. **IN NO EVENT WILL WE BE RESPONSIBLE FOR ANY INDIRECT, SPECIAL, CONSEQUENTIAL OR PUNITIVE DAMAGES.**
4. **Assumption of Risk.** You acknowledge and agree that any use of the product for any purpose other than the specified use(s) stated in the product instructions is at Your own risk.
5. **Governing Law.** This Warranty gives You specific legal rights, and You also may have other rights which vary from state to state. This Warranty is governed by the laws of the State of Michigan, without regard to rules pertaining to conflicts of law. The state courts located in Oakland County, Michigan shall have exclusive jurisdiction for any disputes relating to this Warranty.



Installation Instructions

PART NUMBERS: 75225, 87691, 44778

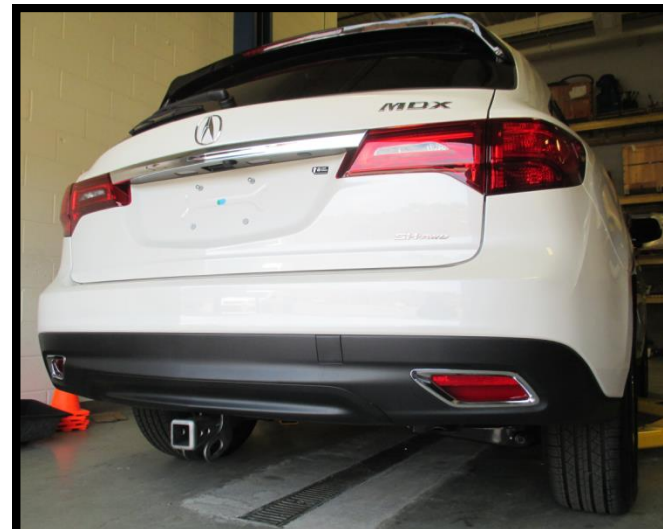
Applications:

Years	Make	Models
2014-Current*	Honda	Pilot
	Acura	MDX

*Visit our website for the most up to date information regarding application years and trim levels.







Installation Time: **20 min.**

The time listed above is the average time for professional installers. If you do not feel comfortable performing this installation on your own or are in need of assistance, please contact a professional installer.



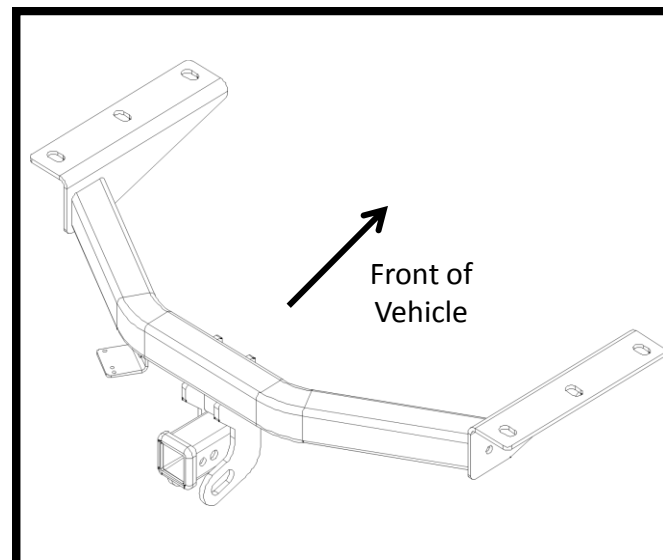
Representative Vehicle Photo

Equipment Required:

 Safety Glasses	 Ratchet	 22 mm Sockets	 Torque Wrench	 3" Socket Extension
 Flat Head Screw Driver				

DO NOT EXCEED LOWER OF TOWING VEHICLE MANUFACTURER'S RATING OR:

Hitch Type	Max Gross Trailer Weight	Max Tongue Weight
Weight Carrying	6000 lb. (2724 kg)	900 lb. (409 kg)
Weight Distributing	8000 lb. (3632 kg)	900 lb. (409 kg)





Hitch Illustration

Always wear SAFETY GLASSES when installing hitch

Installation Instructions

PART NUMBERS: 75225, 87691, 44778

①	Qty. (6)	Bolt M14 1.50 x 45, CL10.9	
②	Qty. (6)	Conical washer 5/8"	

Fastener Kit: 75225F

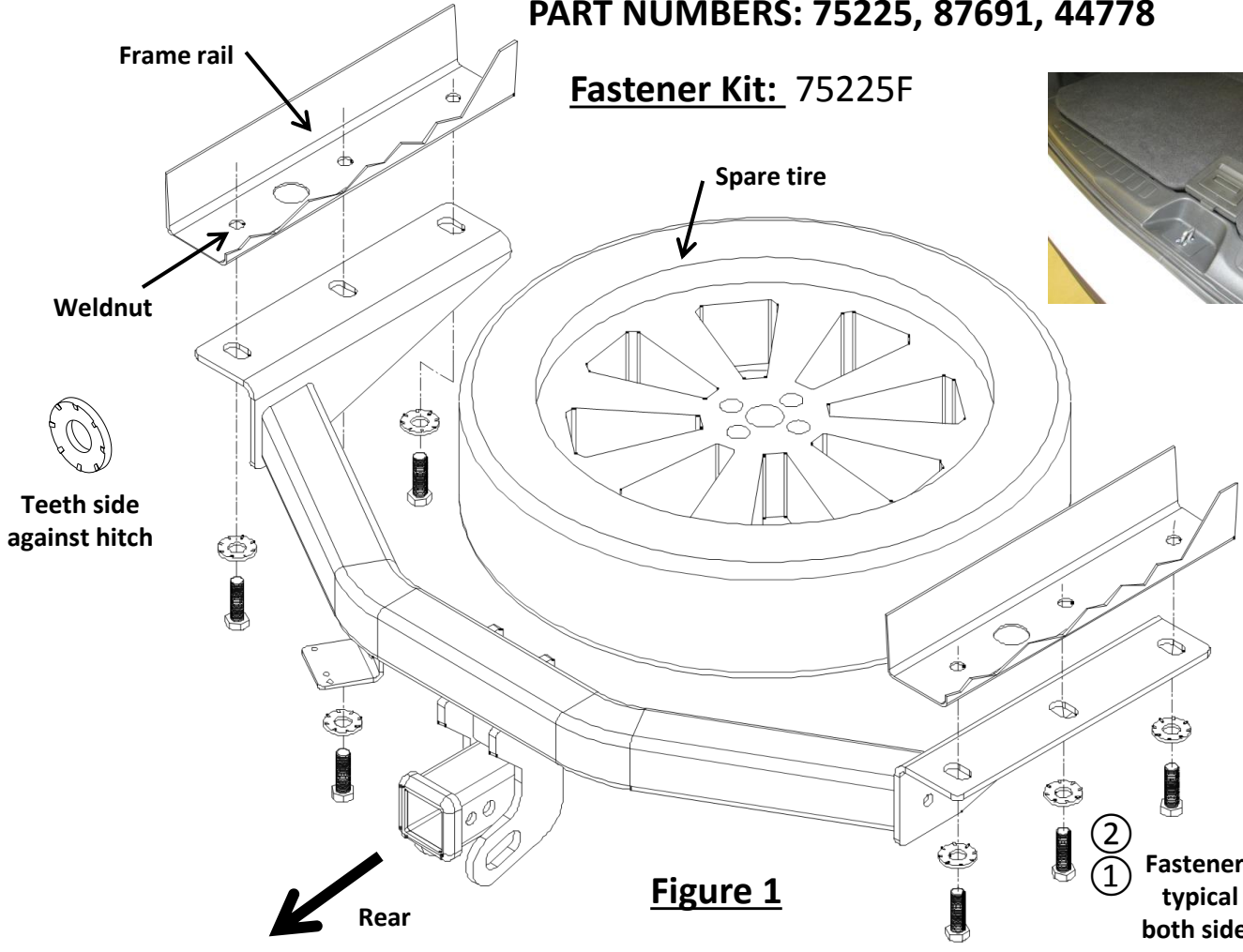


Figure 2

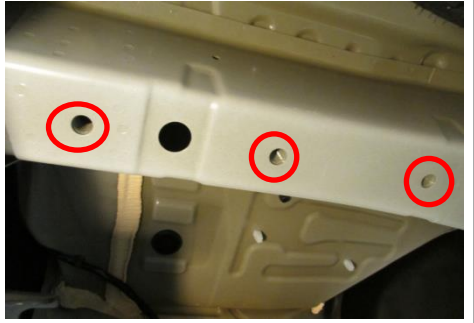


Figure 3

NOTE:
Hitch does not fit with full size spare tire

1. Spare tire lower down – open the trunk and use the tools under storage compartment to lower down the spare tire, see Figure 2.
2. Hitch installation – raise the hitch into position and loosely install M14 bolt ① and conical washer ② into weldnut, see Figure 3.
3. **Tighten all M14 CL10.9 fasteners with torque wrench to 148 Lb.-Ft. (201 N*M)**
▲ Proper torque is needed to keep the hitch secure to the vehicle when towing.
4. Raise the spare tire back into position. Make sure the spare tire won't interfere with hitch.

Note: check hitch frequently, making sure all fasteners and ball are properly tightened. If hitch is removed, plug all holes in trunk pan or other body panels to prevent entry of water and exhaust fumes. A hitch or ball which has been damaged should be removed and replaced. Observe safety precautions when working beneath a vehicle and wear eye protection. Do not cut access or attachment holes with a torch.

This product complies with safety specifications and requirements for connecting devices and towing systems of the state of New York, V.E.S.C. Regulation V-5 and SAE J684.

1. Lower spare tire – open the trunk and use the tools under storage compartment to lower the spare tire, see Figure 2.

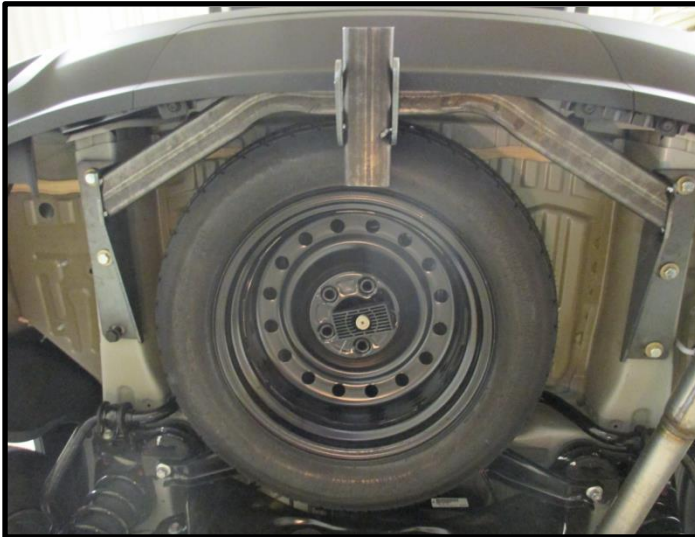


2. Hitch installation – raise the hitch into position and loosely install M14 bolt (1) and conical washer (2) into weldnut, see Figure 3.



3. **Tighten all M14 CL10.9 fasteners with torque wrench to 148 Lb.-Ft. (201 N*M)**

⚠ Proper torque is needed to keep the hitch secure to the vehicle when towing.



4. Raise the spare tire back into position. Make sure the spare tire won't interfere with hitch.

