

Installation Instructions

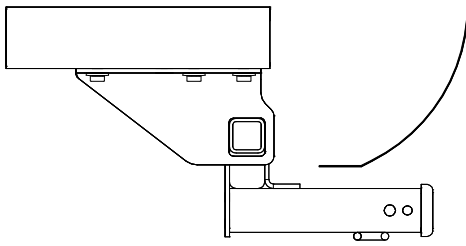
Part Numbers:

75902

87663

44712

**Nissan Rogue
Nissan Rogue Select
(Except Krōm)**



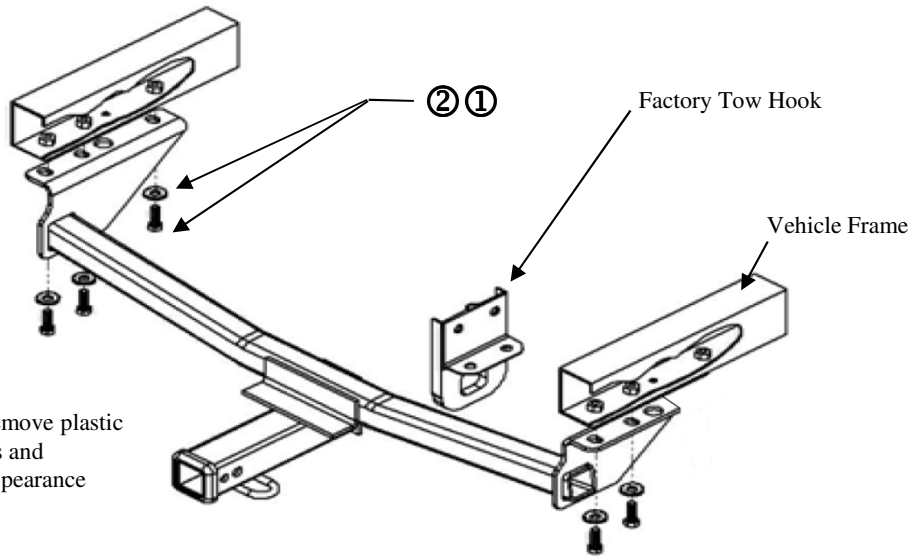
Hitch Shown In Proper Position

- Equipment Required:**
Fastener Kit: 75902F
Wrenches: 18 & 19mm
Drill Bits: None

**Do Not Exceed Lower of Towing Vehicle
Manufacturer's Rating or**

Hitch type	Max Gross Trailer WT (LB)	Max Tongue WT (LB)
Weight Distribution	Not to be used with Spring bars	
Weight Carrying Ball Mount	3500 (1590 Kg)	350 (159 Kg)

Wiring Access Location: SUV3 & 4



For vehicles with appearance panel: Remove plastic appearance panels which cover driver's and passenger's side frame rails. Return appearance panels and fasteners to vehicle owner.

Fasteners typical for all mounting locations

①	Qty. (5)	Hex Bolt M12 x 1.25 x 35mm CL8.8	②	Qty. (5)	Conical Washer 1/2"
---	----------	----------------------------------	---	----------	---------------------

1. Remove and return factory tow hook and fasteners to vehicle owner.
2. Raise hitch into position on driver's side and loosely install center fastener as shown, installing hex bolt and conical washer thru elongated hole in hitch into vehicle frame. Raise hitch into position on passenger side and loosely install center fastener as shown, installing hex bolt and conical washer thru elongated hole in hitch into vehicle frame. Center hitch on vehicle and install remaining hardware as shown.

Tighten all M12 x 1.25 CL8.8 fasteners with torque wrench to 75 Lb.-Ft. (102 N*M)

Note: check hitch frequently, making sure all fasteners and ball are properly tightened. If hitch is removed, plug all holes in trunk pan or other body panels to prevent entry of water and exhaust fumes. A hitch or ball which has been damaged should be removed and replaced. Observe safety precautions when working beneath a vehicle and wear eye protection. Do not cut access or attachment holes with a torch.

This product complies with safety specifications and requirements for connecting devices and towing systems of the state of New York, V.E.S.C. Regulation V-5 and SAE J684.