

Installation Instructions

HYUNDAI TUCSON

KIA SPORTAGE

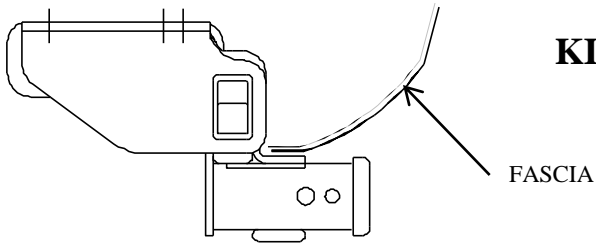
Part Numbers:

75717

87612

44666

75188 U-HAUL



**Do Not Exceed Lower of Towing Vehicle
Manufacturer's Rating or**

Hitch type	Max Gross Trailer WT (LB)	Max Tongue WT (LB)
Weight Distributing	5250 (1816 Kg)	525 (182Kg)
Weight Carrying Ball Mount	3500 (1589Kg)	525 (159Kg)

Hitch Shown In Proper Position

Equipment Required:

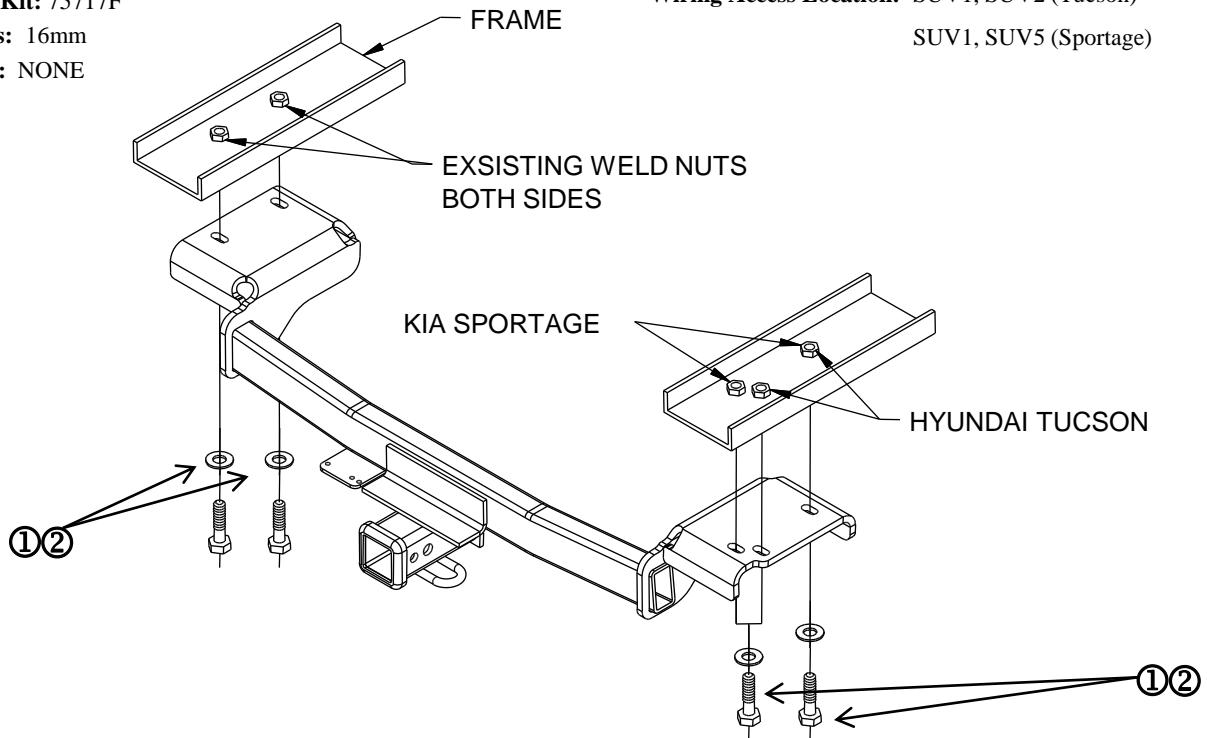
Fastener Kit: 75717F

Wrenches: 16mm

Drill Bits: NONE

Wiring Access Location: SUV1, SUV2 (Tucson)

SUV1, SUV5 (Sportage)



NOTE: If additional exhaust clearance is required, bend exhaust hanger rod appropriately

①	Qty. (4)	Hex Bolt – M10 x 1.25 x 30mm CL 10.9	②	Qty. (4)	Conical Washer – 3/8"
---	----------	--------------------------------------	---	----------	-----------------------

1. Raise vehicle with hoist or ramps for access to underside.
2. While supporting exhaust remove rear hangers and lower exhaust until hitch can be positioned over the muffler tips and into position aligning slots in hitch with existing weld nuts in the bottom of frame.
3. Loosely install the M10 hex bolts with conical washers, (4) four places, as shown.
4. Tighten all M10 CL10.9 fasteners with torque wrench.
5. Reinstall rear hangers for exhaust.

Tighten all M10 CL 10.9 fasteners with torque wrench to 42 Lb.-Ft. (57 n*m)

Note: check hitch frequently, making sure all fasteners and ball are properly tightened. If hitch is removed, plug all holes in trunk pan or other body panels to prevent entry of water and exhaust fumes. A hitch or ball which has been damaged should be removed and replaced. Observe safety precautions when working beneath a vehicle and wear eye protection. Do not cut access or attachment holes with a torch.

This product complies with safety specifications and requirements for connecting devices and towing systems of the state of New York, V.E.S.C. Regulation V-5 and SAE J684.