

Installation Instructions

Lexus GX460

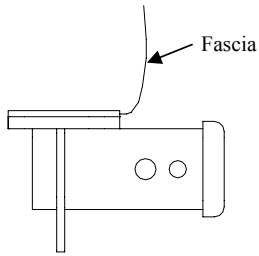
Part Numbers:

75685

87580

44644

75209 U-Haul



Hitch Shown In Proper Position

**Do Not Exceed Lower of Towing Vehicle
Manufacturer's Rating or**

Hitch type	Max Gross Trailer WT (LB)	Max Tongue WT (LB)
Weight Distributing	5000 (2270 kg)	500 (227 Kg)
Weight Carrying Ball Mount	5000 (2270 Kg)	500 (227 Kg)

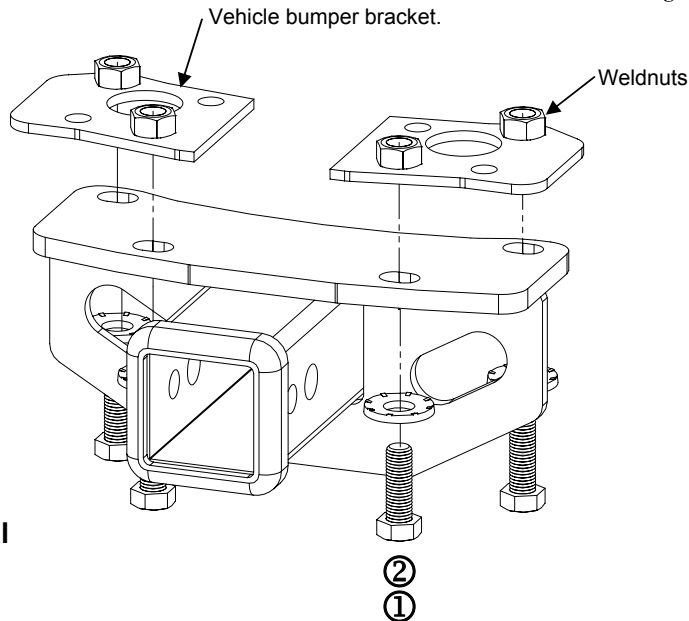
Equipment Required:

Fastener Kit: 75685F

Wrenches: 19mm

Drill Bits: NONE

Wiring Access Location:



**Note: Fasteners typical
both sides**

①	Qty. (4)	Bolt M12 x 1.25 x 35mm CL8.8	②	Qty. (4)	Conical Washer 1/2"
---	----------	------------------------------	---	----------	---------------------

1. Raise hitch into position.
2. Install fasteners into existing weldnuts as shown above.
3. Torque all fasteners to specifications.

Tighten all M12 CL 8.8 fasteners with torque wrench to 76 Lb.-Ft. (103 N*M)

Note: check hitch frequently, making sure all fasteners and ball are properly tightened. If hitch is removed, plug all holes in trunk pan or other body panels to prevent entry of water and exhaust fumes. A hitch or ball which has been damaged should be removed and replaced. Observe safety precautions when working beneath a vehicle and wear eye protection. Do not cut access or attachment holes with a torch.

This product complies with safety specifications and requirements for connecting devices and towing systems of the state of New York, V.E.S.C. Regulation V-5 and SAE J684.