

Installation Instructions

Part Numbers:

75556

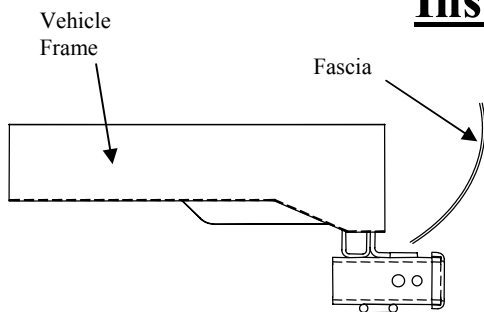
87445

44580

Saturn Vue

**Do Not Exceed Lower of Towing Vehicle
Manufacturer's Rating or**

Hitch type	Max Gross Trailer WT	Max Tongue WT
Weight Distributing	4000lb. (1816 Kg)	400 lb. (182 Kg)
Weight Carrying Ball Mount	4000 lb. (1816 Kg)	400 lb. (182 Kg)



Hitch Shown In Proper Position

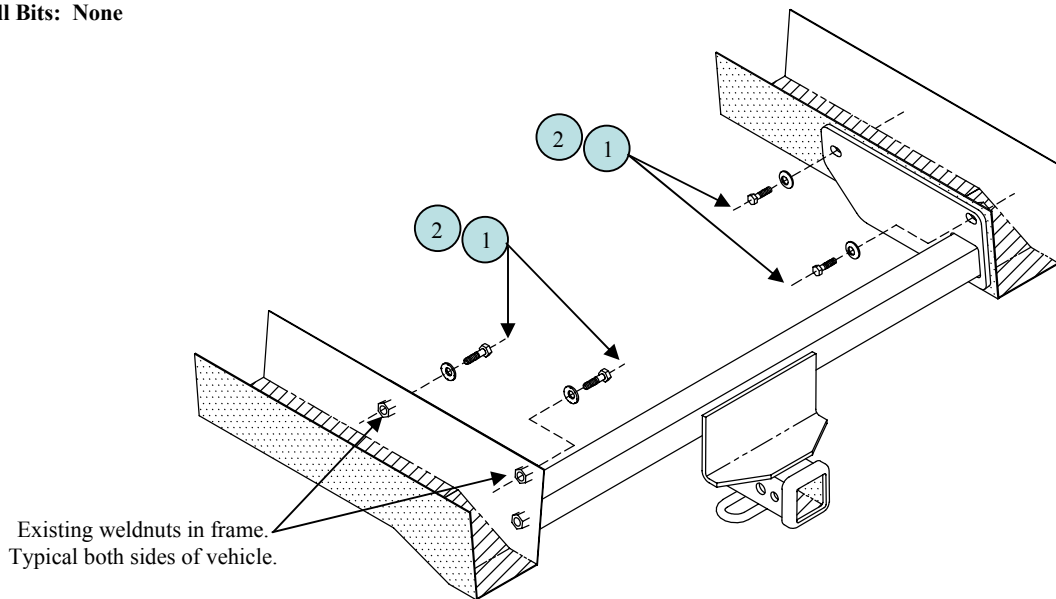
Equipment Required:

Fastener Kit: 75556F

Wrenches: 18mm

Drill Bits: None

Wiring Access Location: SUV3 & SUV4



1 Qty. (4) 12mm-1.75 X 35mm Cl 10.9 Hex head bolts

2 Qty. (4) 1/2" Conical washers

1. It may be necessary to temporarily lower exhaust system to allow for easier access to install frame bolts. If necessary remove (2) rearward rubber isolator hangers per side. Spraying with a lubricant will aid in removing isolators off of studs.
2. Raise hitch into position and install 12mm bolts and conical washers supplied into existing weldnuts in vehicle frame as shown above.
3. Reinstall exhaust hangers if removed. Torque all fasteners to specifications below.

Tighten all 12mm fasteners with torque wrench to 92 lb.-ft., 125 N*M

Note: check hitch frequently, making sure all fasteners and ball are properly tightened. If hitch is removed, plug all holes in trunk pan or other body panels to prevent entry of water and exhaust fumes. A hitch or ball which has been damaged should be removed and replaced. Observe safety precautions when working beneath a vehicle and wear eye protection. Do not cut access or attachment holes with a torch.

This product complies with safety specifications and requirements for connecting devices and towing systems of the state of New York, V.E.S.C. Regulation V-5 and SAE J684.