

# Installation Instructions

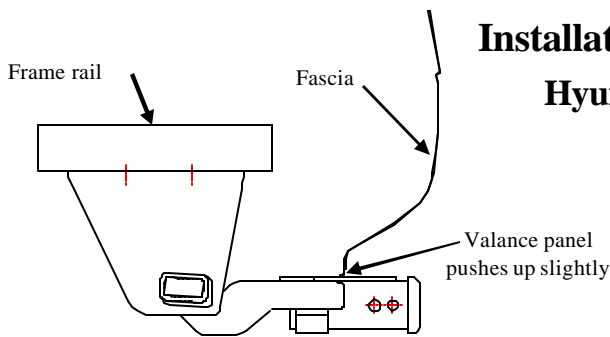
## Hyundai Veracruz

Part Numbers:

**75532**

**87439**

**44573**



### Hitch Shown In Proper Position

**Do Not Exceed Lower of Towing Vehicle  
Manufacturer's Rating or**

| Hitch type                 | Max Gross Trailer WT (LB) | Max Tongue WT (LB)  |
|----------------------------|---------------------------|---------------------|
| Weight Distributing        | <b>5000 (2270 Kg)</b>     | <b>500 (227 Kg)</b> |
| Weight Carrying Ball Mount | <b>5000 (2270 Kg)</b>     | <b>500 (227 Kg)</b> |

**Wiring Access Location: SUV7**

### Equipment Required:

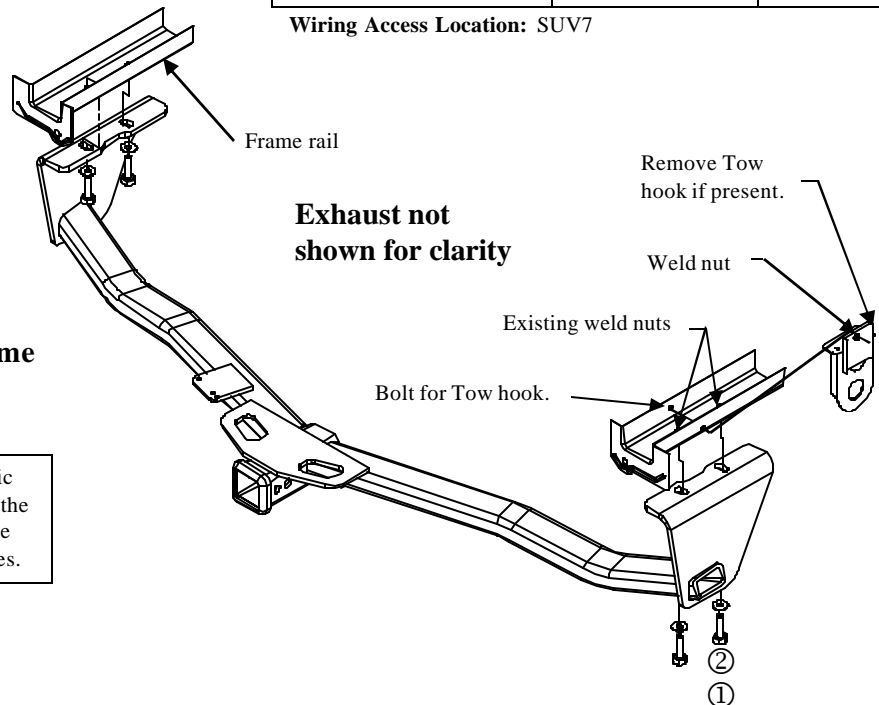
**Fastener Kit: 75532F**

**Wrenches: 10mm, 14mm, 16mm**

**Drill Bits: None**

**Fasteners same  
both sides**

Hitch pushes up slightly on bottom plastic valance panel when installed. This is how the hitch was designed to fit. Bottom valance panel may be removed if customer chooses.



① Qty. (4) Hex bolt M10X1.25X40mm CL10.9

② Qty. (4) Conical washer

**NOTE:** If present remove tow hook. Remove (2) bolts on the bottom of rail. To remove the remaining bolt lower exhaust at the rubber isolator (2) places. Remove nuts holding the heat shield in place. Bolt is located on the inside of the frame rail. Replace all nuts to heat shield except the one on the frame rail. Keep heat shield nut to be re-installed. Return fasteners used for tow hook and the tow hook to owner.

1. Detach the rubber exhaust hangers and lower the rearward portion of the exhaust (2) on each exhaust).
2. Remove the (2) outboard nuts, one on each side, that holds the heat shield in place. Nuts to be re-installed
3. Rotate the hitch into position over the exhaust and align the slots to the existing weld nuts. NOTE: Make sure hitch is between the heat shield and the frame rails. Install fasteners as shown.
4. Tighten bolts. Re-install heat shield nuts previously removed.
5. Raise exhaust system back into position.

Tighten all M10 CL10.9 fasteners with torque wrench to 58 Lb.-Ft. (79 N\*M)

Note: check hitch frequently, making sure all fasteners and ball are properly tightened. If hitch is removed, plug all holes in trunk pan or other body panels to prevent entry of water and exhaust fumes. A hitch or ball which has been damaged should be removed and replaced. Observe safety precautions when working beneath a vehicle and wear eye protection. Do not cut access or attachment holes with a torch.

This product complies with safety specifications and requirements for connecting devices and towing systems of the state of New York, V.E.S.C. Regulation V-5 and SAE J684.