

# Installation Instructions

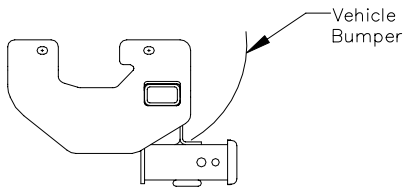
## Hummer H3

Part Numbers:

**75382**

**44177**

**87406**



### Hitch Shown In Proper Position

**Do Not Exceed Lower of Towing Vehicle  
Manufacturer's Rating or**

Hitch type	Max Gross Trailer WT (LB)	Max Tongue WT (LB)
Weight Distributing	<b>5,000</b>	<b>500</b>
Weight Carrying Ball Mount	<b>5,000</b>	<b>500</b>

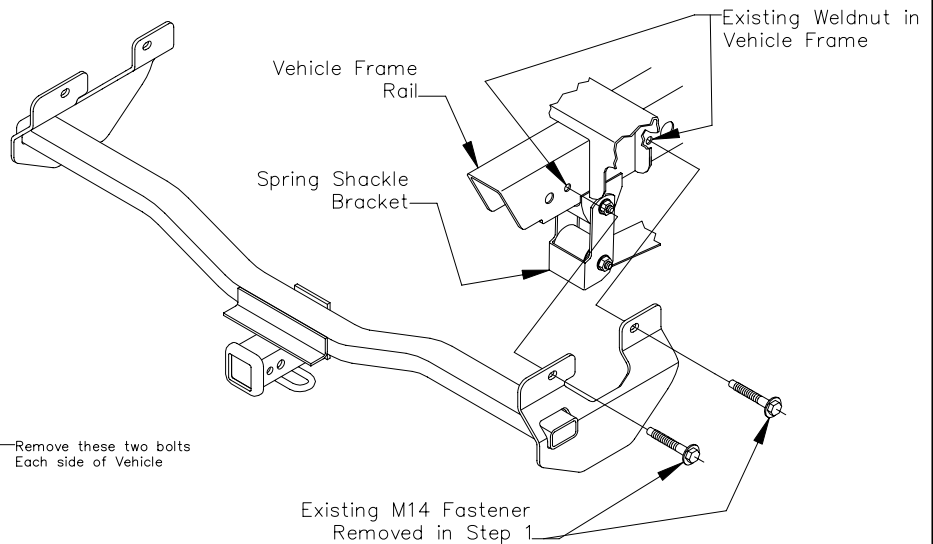
**Wiring Access Location: SUV6**

### **Equipment Required:**

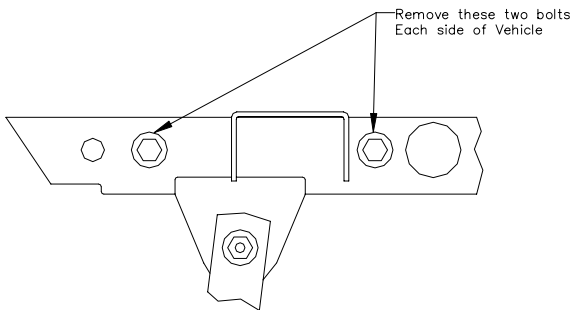
**Fastener Kit:** 75382F or 87406F

**Wrenches:** 21mm

**Drill Bits:** None



**Figure 1**



**Figure 2**

Outside of frame rail

1. Remove 2 bolts from outside of each frame rail (see figure 2). Retain bolts for installation of hitch.
2. Raise hitch into position.  
Note: Lowering exhaust may ease installation.
3. Reinstall M14 fasteners removed in Step 1.

Tighten all M14 CL10.9 fasteners with torque wrench to 148 Lb.-Ft.

Note: check hitch frequently, making sure all fasteners and ball are properly tightened. If hitch is removed, plug all holes in trunk pan or other body panels to prevent entry of water and exhaust fumes. A hitch or ball which has been damaged should be removed and replaced. Observe safety precautions when working beneath a vehicle and wear eye protection. Do not cut access or attachment holes with a torch.

This product complies with safety specifications and requirements for connecting devices and towing systems of the state of New York, V.E.S.C. Regulation V-5 and SAE J684.