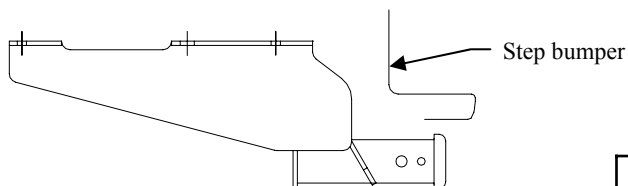


**Installation Instructions  
Dodge Ram Pickup Truck**



**Do Not Exceed Lower of Towing Vehicle  
Manufacturer's Rating or**

Hitch type	Max Gross Trailer WT (LB)	Max Tongue WT (LB)
Weight Distributing	<b>10,000 (4540 Kg)</b>	<b>1000 (454 Kg)</b>
Weight Carrying Ball Mount	<b>5000 (2270 Kg)</b>	<b>500 (227 Kg)</b>

**Hitch Shown In Proper Position**

**Equipment Required:**

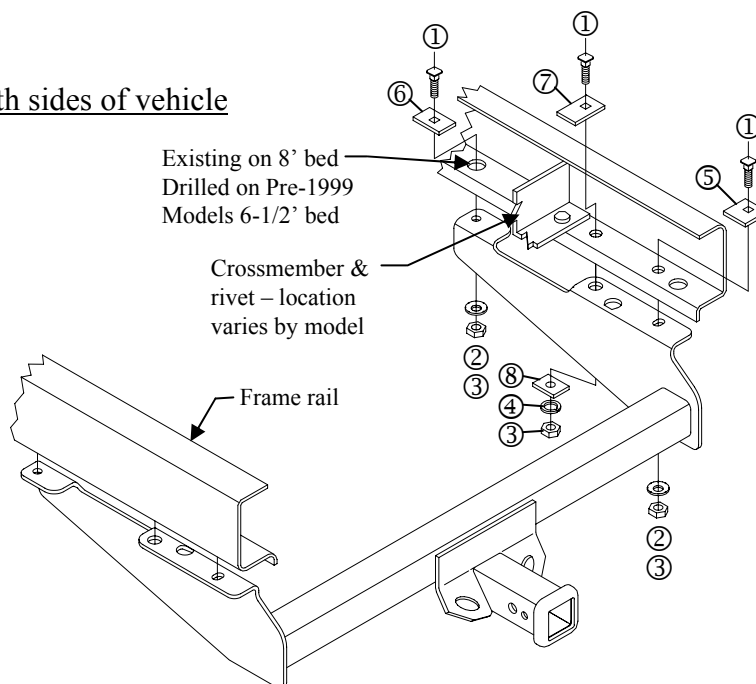
**Fastener Kit:** 01131-098

**Wrenches:** 7/8

**Drill Bits:** 1/2"

**Wiring Access Location:** PU1, PU2

**Fasteners typical both sides of vehicle**



①	Qty. (6)	Carriage Bolt 1/2-13 X 1.75	⑤	Qty. (2)	Block .25 X 1.50 X 2.00
②	Qty. (4)	Conical Washer 1/2	⑥	Qty. (2)	Block .25 X 1.50 X 2.00
③	Qty. (6)	Hex Nut 1/2-13	⑦	Qty. (2)	Block .25 X 1.50 X 2.00
④	Qty. (2)	Lock Washer 1/2	⑧	Qty. (2)	Block .25 X 1.00 X 1.50

**8' Bed Vehicle** – Uses existing hole in frame – no drilling required.

**6-1/2' Bed Vehicle** – Forward attachment holes need to be drilled.

1. Raise hitch into position and install fasteners as shown above.

**Note:** On 6-1/2' bed vehicles drill a 1/2" hole for the forward fasteners.

Tighten all 1/2 GR5 fasteners with torque wrench to 75 Lb.-Ft. (102 N\*M)

Note: check hitch frequently, making sure all fasteners and ball are properly tightened. If hitch is removed, plug all holes in trunk pan or other body panels to prevent entry of water and exhaust fumes. A hitch or ball which has been damaged should be removed and replaced. Observe safety precautions when working beneath a vehicle and wear eye protection. Do not cut access or attachment holes with a torch.

This product complies with safety specifications and requirements for connecting devices and towing systems of the state of New York, V.E.S.C. Regulation V-5 and SAE J684.