

Installation Instructions

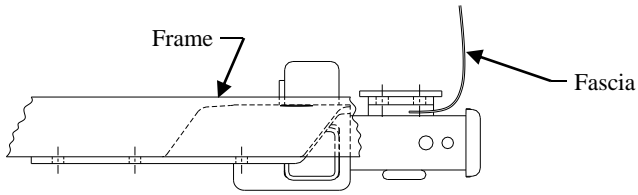
Toyota Sequoia

Part Numbers:

75126

44089

87780



**Do Not Exceed Lower of Towing Vehicle
Manufacturer's Rating or**

Hitch type	Max Gross Trailer WT (LB)	Max Tongue WT (LB)
Weight Distributing	6500 (2951 Kg)	650 (295 Kg)
Weight Carrying Ball Mount	5000 (2270 Kg)	500 (227 Kg)

Hitch Shown In Proper Position

Equipment Required:

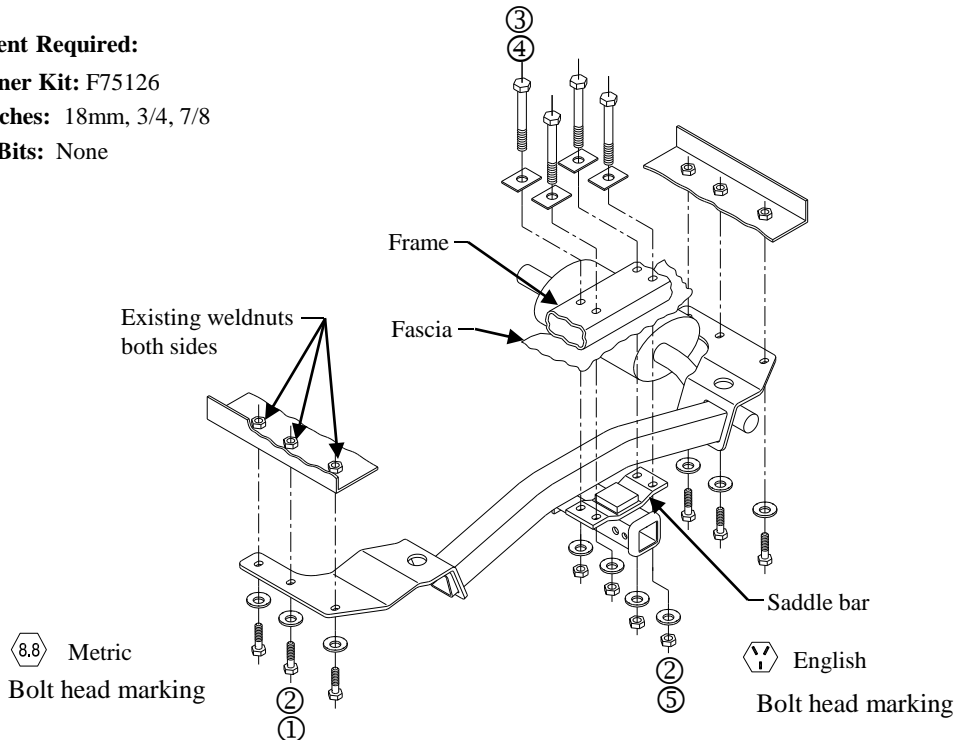
Fastener Kit: F75126

Wrenches: 18mm, 3/4, 7/8

Drill Bits: None

Wiring Access Location: SUV7

NOTE: Will not work with vehicle that were previously installed with OEM receiver hitch



①	Qty. (6)	Bolt M12 X 1.25 X 45mm	④	Qty. (4)	Block
②	Qty. (10)	Conical Washer 1/2"	⑤	Qty. (4)	Hex Nut 1/2-13
③	Qty. (4)	Bolt 1/2-13 X 3.50			

1. Lower spare tire.
2. Raise hitch into position, making sure to slide saddle bar under fascia, and attach side bracket fasteners as shown. Do not tighten.
3. Install fasteners to saddle bar and tighten all fasteners.
4. Raise spare tire into position.

Tighten all M12 CL8.8 fasteners with torque wrench to 68 Lb.-Ft. (92 N*M)

Tighten all 1/2 GR5 fasteners with torque wrench to 75 Lb.-Ft. (102 N*M)

Note: check hitch frequently, making sure all fasteners and ball are properly tightened. If hitch is removed, plug all holes in trunk pan or other body panels to prevent entry of water and exhaust fumes. A hitch or ball which has been damaged should be removed and replaced. Observe safety precautions when working beneath a vehicle and wear eye protection. Do not cut access or attachment holes with a torch.

This product complies with safety specifications and requirements for connecting devices and towing systems of the state of New York, V.E.S.C. Regulation V-5 and SAE J684.