

INSTALLATION INSTRUCTIONS

VEHICLE	HITCH NO.
GM FULL SIZE VAN	51023 44028

EQUIPMENT REQUIRED:

WIRING ACCESS LOCATION: SUV3, SUV4

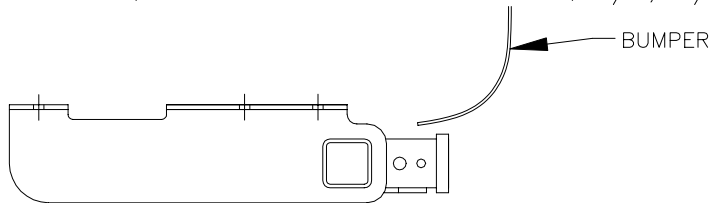
DRILL BITS: NONE

HITCH REQUIRES 5/8" PIN AND CLIP IF STABILIZING PIN IS NOT INSTALLED.

WRENCHES: (TIGHTEN ALL FASTENERS WITH TORQUE WRENCH) 3/4, 7/8

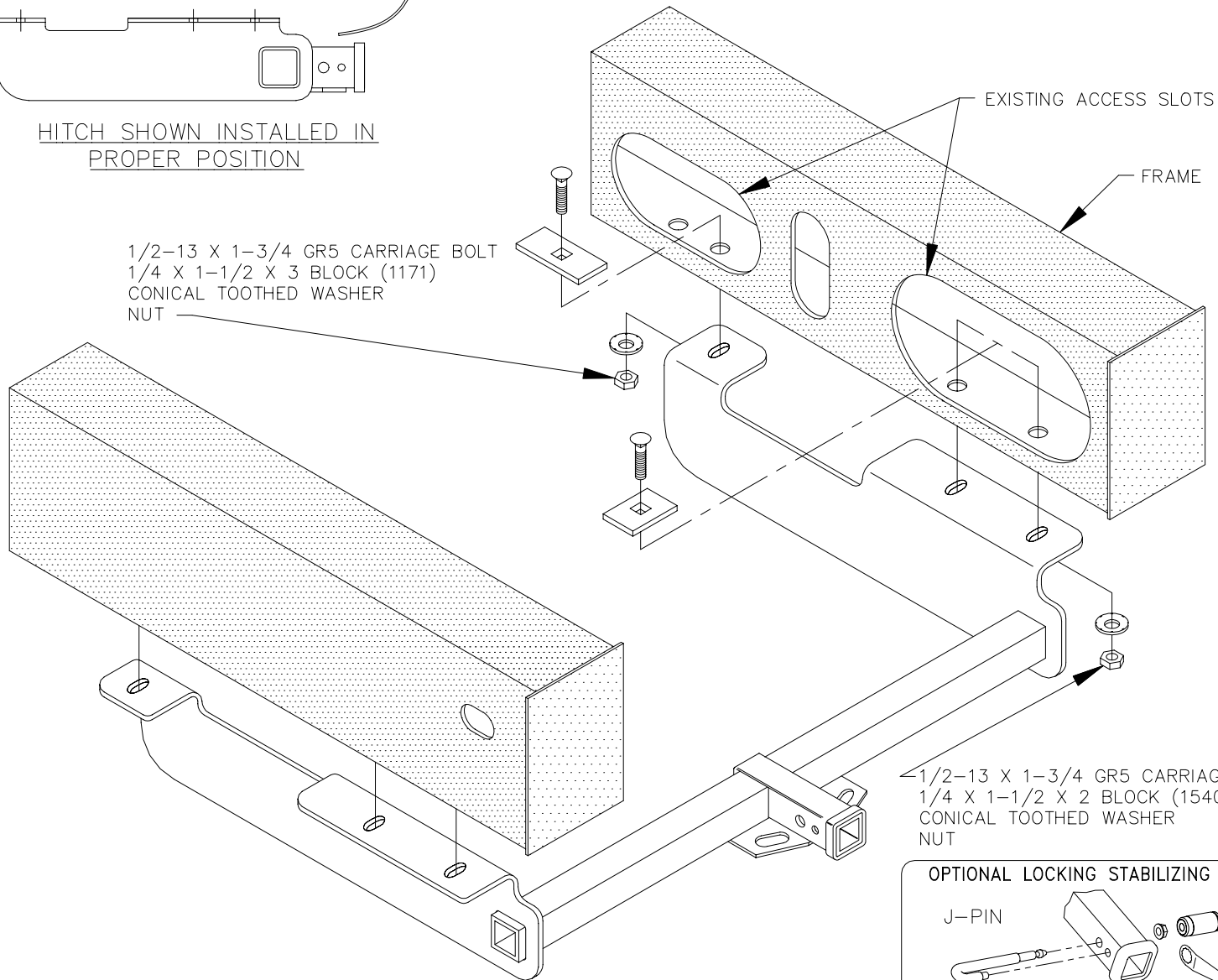
DO NOT EXCEED LOWER OF
TOWING VEHICLE MFR'S RATINGS OR

HITCH TYPE ▼	MAX GROSS TRLR WT(LB)	MAX TONGUE WT(LB)
WEIGHT DISTRIBUTING	10,000	1000
WEIGHT CARRYING BALL MOUNT	5000	500



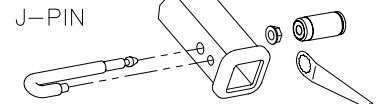
HITCH SHOWN INSTALLED IN
PROPER POSITION

1/2-13 X 1-3/4 GR5 CARRIAGE BOLT
1/4 X 1-1/2 X 3 BLOCK (1171)
CONICAL TOOTHED WASHER
NUT



1/2-13 X 1-3/4 GR5 CARRIAGE BOLT
1/4 X 1-1/2 X 2 BLOCK (1540)
CONICAL TOOTHED WASHER
NUT

OPTIONAL LOCKING STABILIZING PIN



(Order Separately)

1. INSERT CARRIAGE BOLTS AND BLOCKS THROUGH EXISTING ACCESS SLOTS AND INTO ATTACHMENT HOLES AS SHOWN ABOVE, EACH SIDE.
2. RAISE HITCH INTO POSITION AND FASTEN WITH CONICAL TOOTHED WASHERS AND NUTS AS SHOWN ABOVE, EACH SIDE.

TIGHTEN 1/2 GR5 FASTENERS TO 75 LB.-FT.

THIS PRODUCT COMPLIES WITH SAFETY SPECIFICATIONS AND REQUIREMENTS FOR CONNECTING DEVICES AND TOWING SYSTEMS OF THE STATE OF NEW YORK AND V.E.S.C. REGULATION V-5.

APPROX WEIGHT (LB.)	FASTENER KIT
34	51023-051

NOTE: Check hitch frequently, making sure all fasteners and ball are properly tightened. If hitch is removed, plug all holes in trunk pan or other body panels to prevent entry of water and exhaust fumes. A hitch or ball which has been damaged should be removed and replaced. Observe safety precautions when working beneath a vehicle and wear eye protection. Follow car maker's specs for maximum trailer weight and tongue weight. Do not cut access or attachment holes with a torch.

TOWING PRODUCTS