

REESE

INSTALLATION INSTRUCTIONS

Product No.

GM FULL SIZE VAN

37004

You *can* take it with you.

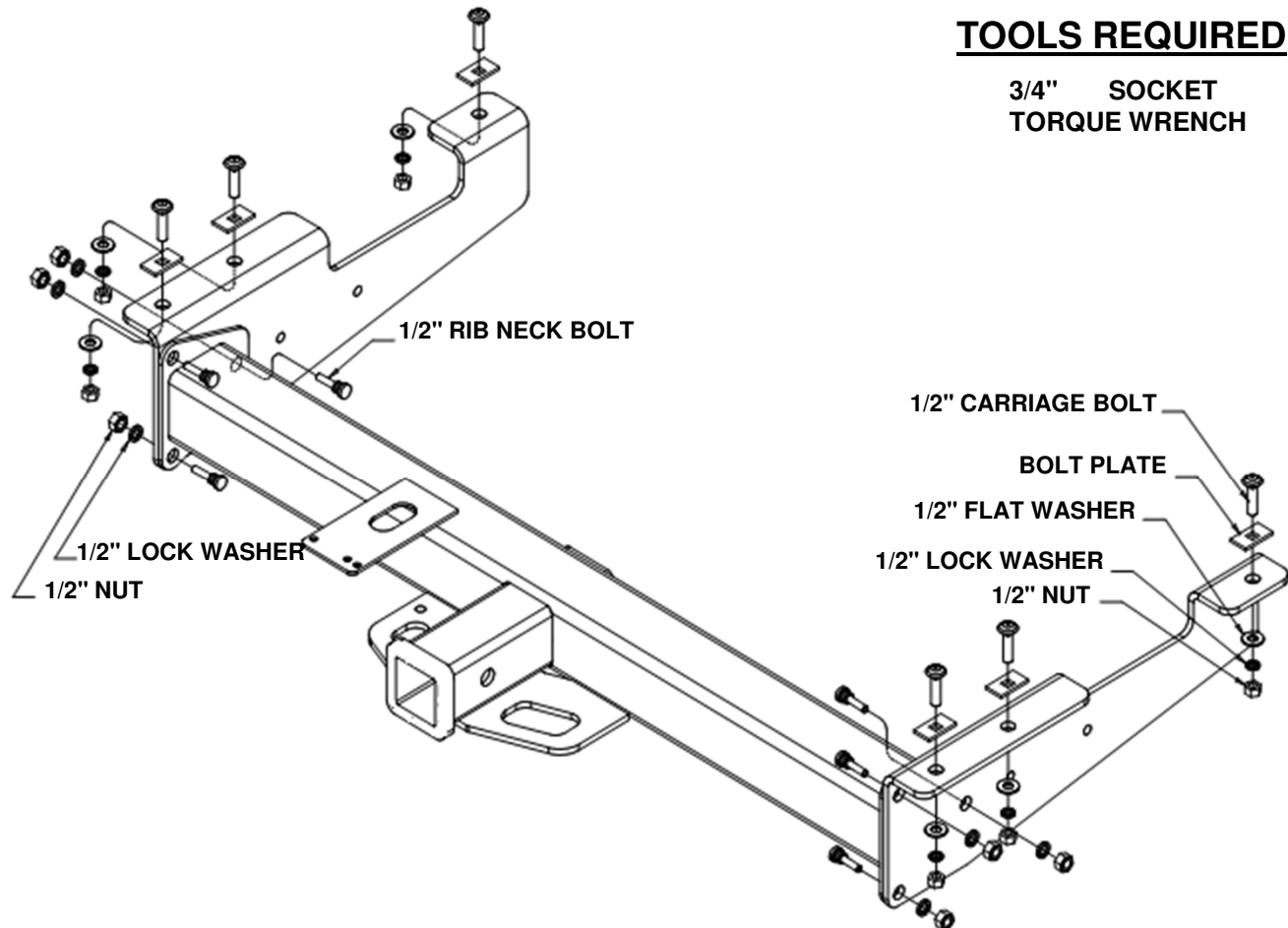
SMALL PARTS
PACKAGE 37216

WARNING: DO NOT LUBRICATE THREADS, BOLT FAILURE MAY OCCUR DUE TO OVER TIGHTENING.
WARNING: DO NOT DRILL OR WELD TO THIS HITCH.

IMPORTANT NOTES
USE ONLY REESE SUPPLIED OR APPROVED BOLTS, LOCKNUTS, AND WASHERS TO INSTALL THIS HITCH

TOOLS REQUIRED

3/4" SOCKET
TORQUE WRENCH



1. Lift the side brackets up to the frame to find the holes in the frame that correspond with the holes in the brackets.
2. Install a bolt plate over one of the 1/2" carriage bolts and insert the bolt down through one of the holes in the frame. Repeat this for all six mounting locations. See the diagram above.
3. Lift the side brackets up to the frame and place them over the bolts. Install a 1/2" flat washer, 1/2" lock washer and 1/2" nut on each bolt. See the diagram above.
4. Lift the center section of the hitch up between the side brackets. Install six 1/2" rib neck bolts as shown in the diagram above. Install 1/2" lock washers and 1/2" nuts on these bolts.
5. Torque all 1/2" nuts to 75 ft.*lb.