



# Installation Instructions

PART NUMBERS: 36572, 90245, 06949

## WARNING

To prevent **SERIOUS INJURY, DEATH or PROPERTY DAMAGE:**

- **ALWAYS** read, understand and follow warnings and instructions for your hitch **BEFORE** installation. Keep for future reference.
- **DO NOT** cut, weld or modify this receiver.
- **CHECK** all fasteners are tight and your hitch is securely mounted to your vehicle periodically.
- **ALWAYS** read, understand and follow all warnings and instructions for your vehicle and for other accessories you will use with your hitch **BEFORE** use.
- **LOAD** the trailer heavier in front.
- **DO NOT** exceed lower of towing vehicle manufacturer’s rating or:

| Hitch Type          | Max Gross Trailer Weight | Max Tongue Weight |
|---------------------|--------------------------|-------------------|
| Weight Carrying     | 3500lb. (1589kg)         | 300lb. (136kg)    |
| Weight Distributing | X                        | X                 |

- **ALWAYS** wear your seatbelt.
- **SLOW DOWN** when towing, **NEVER** exceed any posted speed limit.
- If **EXCESS SWAY** occurs, take your foot off the gas pedal and hold the steering wheel as steady as possible. **DO NOT** apply your brakes and **DO NOT** speed up.

## LIMITED LIFETIME WARRANTY

1. **Limited Lifetime Warranty (“Warranty”).** Cequent Performance Products, Inc. (“We”, “Us” or “Our”) warrants to the original consumer purchaser only (“You” or “Your”) that the product will be free from material defects in both material and workmanship, ordinary wear and tear excepted. The Warranty is valid only if (a) the products are returned to Us for inspection and testing; (b) Our inspection discloses to Our satisfaction that any alleged nonconformance are material and have not been caused by misuse, neglect, wear and tear, improper installation, unsuitable storage, improper repair, alteration, or accident; and (c) the products were installed, maintained and used in accordance with Our instructions. **THE WARRANTY IS MADE IN LIEU OF ALL OTHER WARRANTIES, EXPRESS OR IMPLIED (OTHER THAN THE WARRANTY OF TITLE AS PROVIDED BY THE UNIFORM COMMERCIAL CODE IN EFFECT IN MICHIGAN), INCLUDING WITHOUT LIMITATION, ANY WARRANTIES OF MERCHANTABILITY OR FITNESS FOR A PARTICULAR PURPOSE, SAID WARRANTIES BEING EXPRESSLY DISCLAIMED.**
2. **Obligations of Purchaser.** Any returned product that is replaced by Us becomes our property. You may be responsible for return shipping costs. Please retain your purchase receipt to verify date of purchase and that You are the original consumer purchaser. The product and the purchase receipt must be provided to Us in order to process Your Warranty claim.
3. **Exclusive Remedy.** Product replacement is Your sole and exclusive remedy under this Warranty. We shall not be liable for service or labor charges incurred in removing or replacing a product. **IN NO EVENT WILL WE BE RESPONSIBLE FOR ANY INDIRECT, SPECIAL, CONSEQUENTIAL OR PUNITIVE DAMAGES.**
4. **Assumption of Risk.** You acknowledge and agree that any use of the product for any purpose other than the specified use(s) stated in the product instructions is at Your own risk.
5. **Governing Law.** This Warranty gives You specific legal rights, and You also may have other rights which vary from state to state. This Warranty is governed by the laws of the State of Michigan, without regard to rules pertaining to conflicts of law. The state courts located in Oakland County, Michigan shall have exclusive jurisdiction for any disputes relating to this Warranty.



# Installation Instructions

PART NUMBERS: 36572, 90245, 06949

## Applications:

| Years | Make | Models |
|-------|------|--------|
|-------|------|--------|

|               |         |        |
|---------------|---------|--------|
| 2016-Current* | Hyundai | Tucson |
|---------------|---------|--------|

\*Visit our website for the most up to date information regarding application years and trim levels.

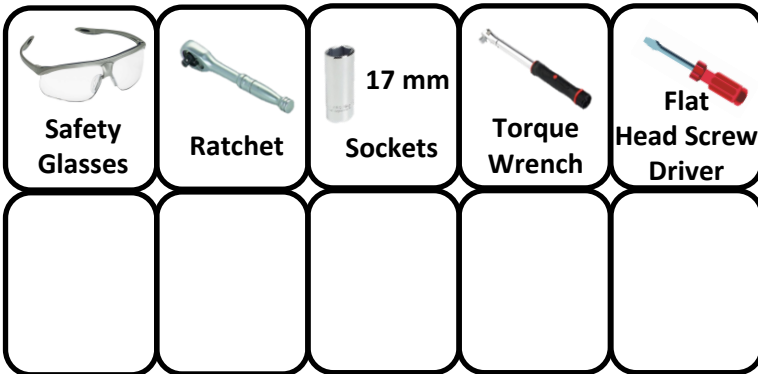
## Installation Time: 30MIN

The time listed above is the average time for professional installers. If you do not feel comfortable performing this installation on your own or are in need of assistance, please contact a professional installer.



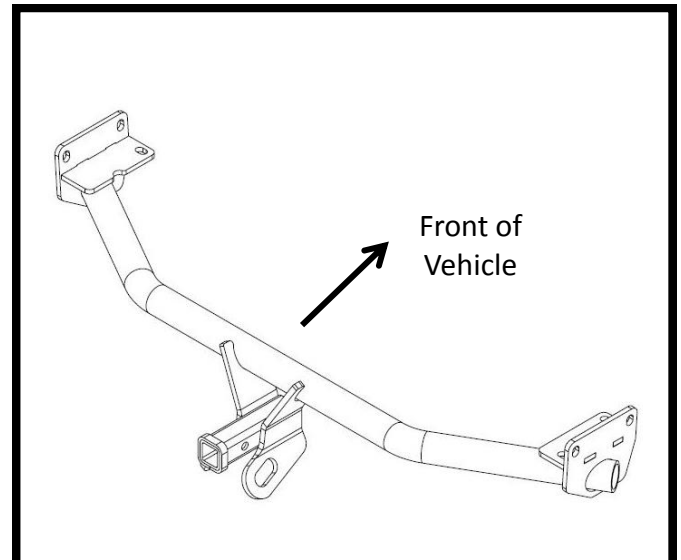
Representative Vehicle Photo

## Equipment Required:



**DO NOT EXCEED LOWER OF TOWING VEHICLE MANUFACTURER'S RATING OR:**

| Hitch Type          | Max Gross Trailer Weight | Max Tongue Weight |
|---------------------|--------------------------|-------------------|
| Weight Carrying     | 3500 lb. (1589 kg)       | 300lb. (136kg)    |
| Weight Distributing | X                        | X                 |



Hitch Illustration



Always wear SAFETY GLASSES  
when installing hitch


# Installation Instructions

PART NUMBERS: 36572, 90245, 06949

## Authorized Drawbar Kit:

36051 (Sold Separately)  
Drawbar must be used in  
the RISE position.

### Fastener Kit: 36572F

|   |          |  |
|---|----------|--|
| ① | Qty. (7) | Bolt<br>M10 X 1.25 X 30mm CL10.9   |
| ② | Qty. (7) | Conical Tooth<br>Washer 3/8"  |

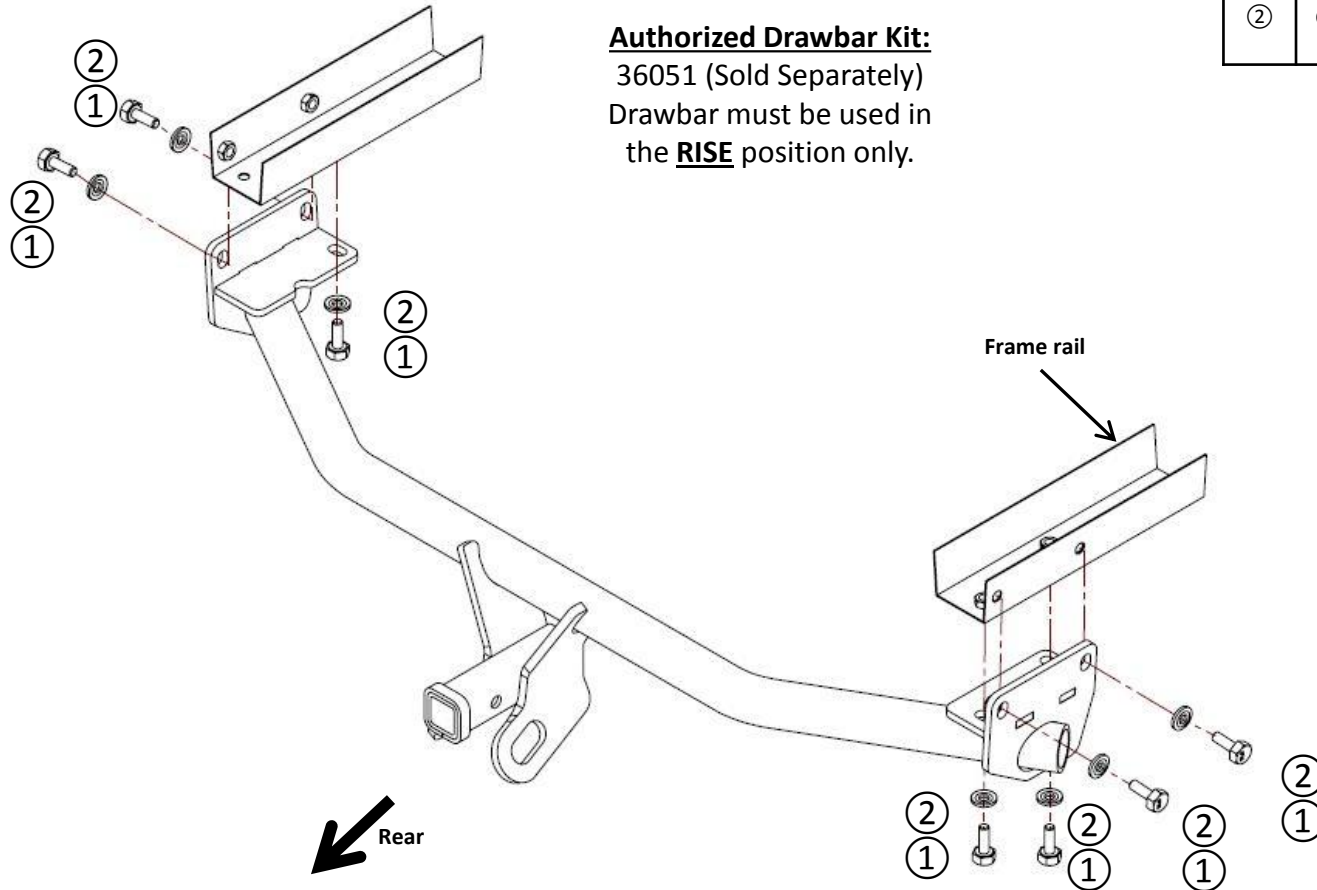


Figure 1


### Underbody Panel Removal

1. If equipped remove (2) plastic underbody panels, 1 each side located under the rear bumper and behind the rear wheels. Using a standard screwdriver, remove 3 plastic expansion fasteners from each panel and pull down to remove. Set aside for reinstallation later.

### Hitch Installation

1. Start by inserting the hitch over the tailpipe on the passenger side. **Note: removing the rubber isolators and lowering the exhaust may make this easier.** Rotate the hitch and raise into position. Install (4) M10 x 1.25 X 30mm CI10.9 bolts and conical toothed washers (teeth side against hitch) on the passenger side and (3) M10 x 1.25 X 30mm CI10.9 bolts and conical toothed washers (teeth side against hitch) on the driver side.

2. **Tighten all M10 fasteners with torque wrench to 42Lb.-Ft. (57N\*M)**

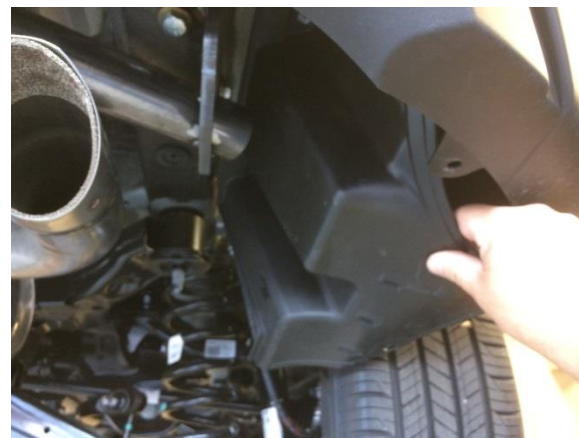
 Proper torque is needed to keep the hitch secure to the vehicle when towing.

3. Re-install the (2) plastic panels if removed earlier.

Note: check hitch frequently, making sure all fasteners and ball are properly tightened. If hitch is removed, plug all holes in trunk pan or other body panels to prevent entry of water and exhaust fumes. A hitch or ball which has been damaged should be removed and replaced. Observe safety precautions when working beneath a vehicle and wear eye protection. Do not cut access or attachment holes with a torch.

This product complies with safety specifications and requirements for connecting devices and towing systems of the state of New York, V.E.S.C. Regulation V-5 and SAE J684.

1. If equipped remove (2) plastic underbody panels, 1 each side located under the rear bumper and behind the rear wheels. Using a standard screwdriver, remove (3) plastic expansion fasteners from each panel and pull down to remove. Set aside for reinstallation later.



2. Start by inserting the hitch over the tailpipe on the passenger side. **Note: removing the rubber isolators and lowering the exhaust may make this easier.** Rotate the hitch and raise into position. Install (4) M10 x 1.25 X 30mm C10.9 bolts and conical toothed washers (teeth side against hitch) on the passenger side and (3) M10 x 1.25 X 30mm C10.9 bolts and conical toothed washers (teeth side against hitch) on the driver side.





3. **Tighten all M10 fasteners with torque wrench to 42Lb.-Ft. (57N\*M)**

 Proper torque is needed to keep the hitch secure to the vehicle when towing.



4. Re-install the (2) plastic panels if removed earlier.

