

Installation Instructions

Part Numbers:

Chrysler Town & Country
Dodge Grand Caravan
VW Routan
RAM C/V Tradesman

36455

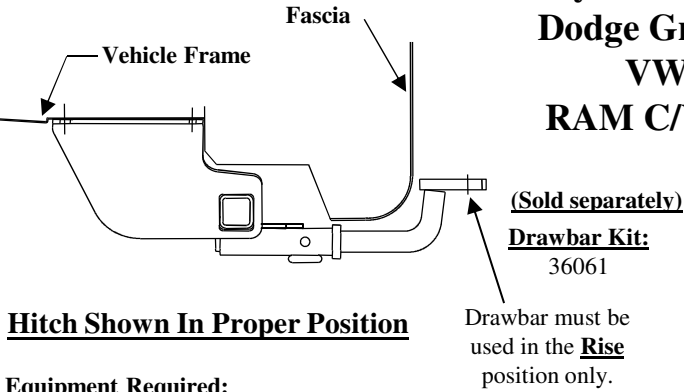
90169

06550

UHI 36332

**Do Not Exceed Lower of Towing Vehicle
 Manufacturer's Rating or**

Hitch type	Max Gross Trailer WT (LB)	Max Tongue WT (LB)
Weight Carrying Ball Mount	3500 (1589 Kg.)	300 (136 Kg.)



Hitch Shown In Proper Position

Equipment Required:

Fastener Kit: 36455F

Wrenches: 13mm, 15mm, 18mm

Drill Bits: None

Wiring Access Location: SUV1, SUV2

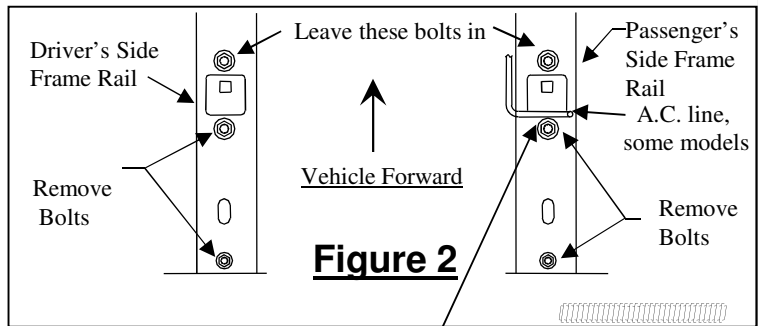


Figure 2

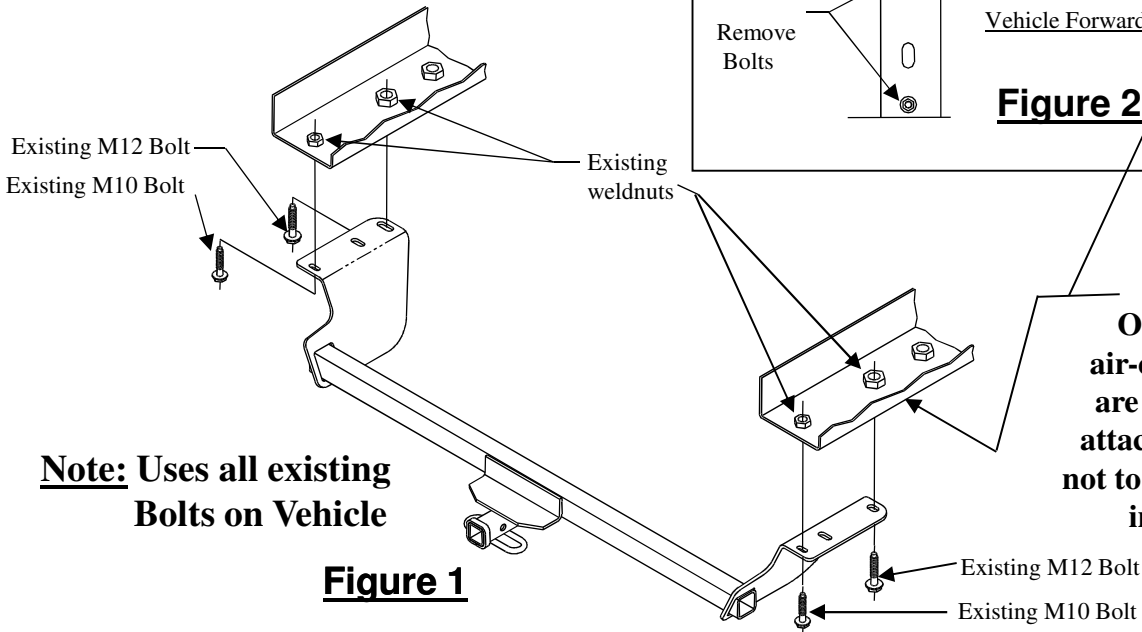


Figure 1

Plastic loom, magnified view

Attention:
 On some vehicles air-conditioning lines are very close to this attachment. Be careful not to damage lines when installing hitch.

1. Lower exhaust by removing bolt which attaches rearmost hanger bracket to passenger's side frame rail. Retain bolt for reinstallation.
2. Snap plastic loom in place over Air Conditioning line on Passenger's side near bolt if present. See Figure 2 above.
3. Remove existing bolts from frame rails as shown in Figure 2, (2) on driver's side, (2) on passenger's side and retain for hitch installation.
4. Raise hitch into position as shown in Figure 1 and attach with existing bolts removed in step 2. Hand tighten.
5. Push hitch towards driver's side, so that passenger's side bracket is up against trunk pan, and tighten fasteners to specifications below.
6. Raise exhaust back into position and reinstall bolt removed in step 1.

Note: Rotating exhaust hanger bracket before tightening will add clearance between side bracket and exhaust.

Tighten all M10 CL10.9 fasteners with torque wrench to 53 Lb.-Ft. (72 N*M)

Tighten all M12 CL10.9 fasteners with torque wrench to 92 Lb.-Ft. (125 N*M)

Note: check hitch frequently, making sure all fasteners and ball are properly tightened. If hitch is removed, plug all holes in trunk pan or other body panels to prevent entry of water and exhaust fumes. A hitch or ball which has been damaged should be removed and replaced. Observe safety precautions when working beneath a vehicle and wear eye protection. Do not cut access or attachment holes with a torch.

This product complies with safety specifications and requirements for connecting devices and towing systems of the state of New York, V.E.S.C. Regulation V-5 and SAE J684.