

Installation Instructions

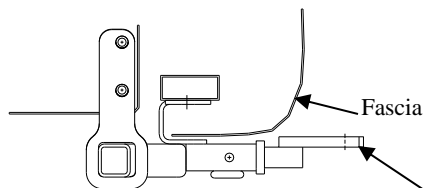
Part Numbers:

**Chevrolet Equinox
Pontiac Torrent
Saturn Vue
GMC Terrain**

36408

06391

90145



Hitch Shown In Proper Position

(Sold separately)

Drawbar Kit:

36051 Or 90001

Drawbar must be used in the **RISE** position only.

**Do Not Exceed Lower of Towing Vehicle
Manufacturer's Rating or**

3500 LB Max Gross Trailer Weight

300 LB Max Tongue Weight

Equipment Required:

Fastener Kit: 36408F

Wrenches: 18mm, 19mm & 3/4

Saturn Vue: Open end 3/4 wrench,

Equinox: 6" Ratchet Extension

Drill Bits: None

Wiring Access Location: Chevrolet SUV3
Pontiac SUV3
Saturn SUV1, SUV2

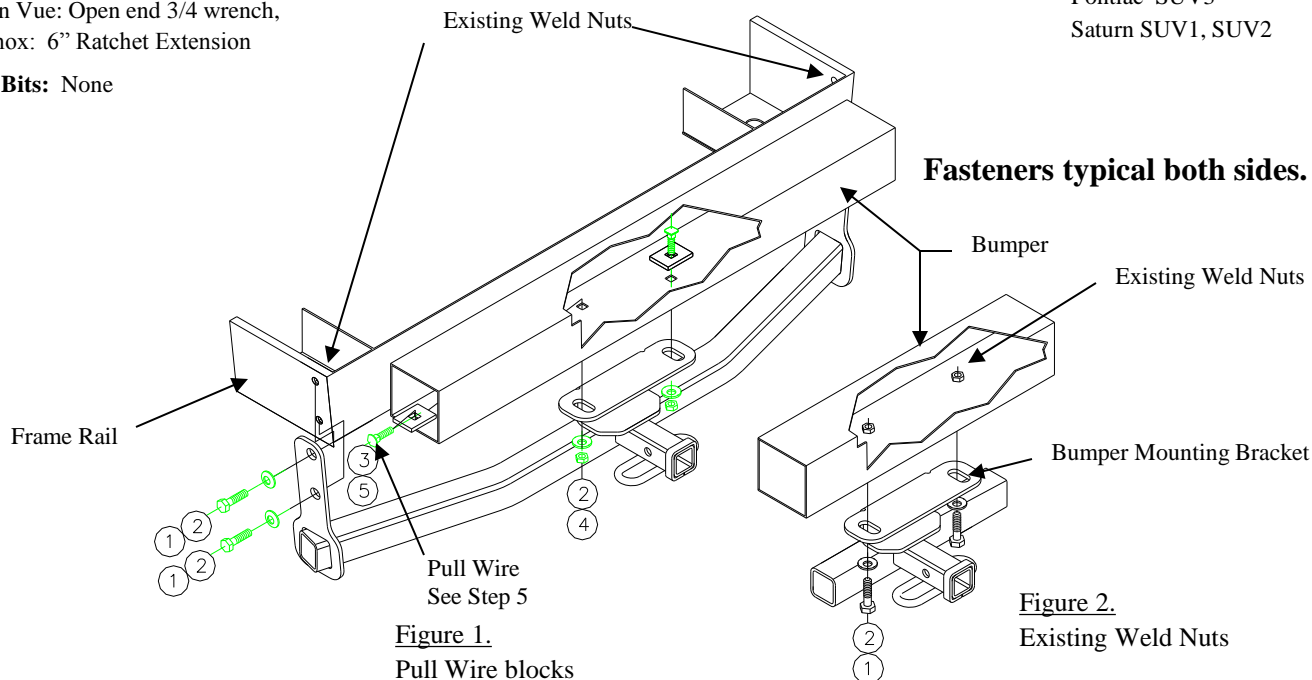


Figure 1.
Pull Wire blocks

Figure 2.
Existing Weld Nuts

①	Qty. (6)	Hex Bolt M12	④	Qty. (2)	Hex Nut 1/2-13
②	Qty. (6)	Conical Washer	⑤	Qty. (2)	Block 1-1/2 X 2
③	Qty. (2)	Carriage Bolt 1/2-13	⑥	Qty. (1)	Pull Wire

1. If present, remove the tie down brackets from vehicle frame rail. Return bolts and tie down bracket to owner.
2. Remove the fascia door on the Equinox.
3. Raise the hitch into position; lifting the bumper mounting bracket over the fascia (where needed). Secure with M12 bolts and conical washers into the existing weld nuts.
4. Hand tighten all bolts.
5. **Saturn Vue:** Pull carriage bolts and small blocks thru end of the bumper and feed through the bumper mounting bracket using the pull wire. Attach conical washer and nut. As shown **Figure 1.**
Chevrolet Equinox, Pontiac Torrent install the M12 bolts and conical washer through the bumper mounting bracket into the existing weld nuts in the bumper, as shown **Figure 2.**
6. Tighten all 1/2-13 GR5 fastener with torque wrench to 75 Lb.-Ft. Tighten all M12 CL8.8 fasteners with torque wrench to 68 Lb.-Ft.
7. Replace the fascia door on the Equinox.

Note: Due to different configuration of the vehicle there will be extra hardware left over.

Note: check hitch frequently, making sure all fasteners and ball are properly tightened. If hitch is removed, plug all holes in trunk pan or other body panels to prevent entry of water and exhaust fumes. A hitch or ball which has been damaged should be removed and replaced. Observe safety precautions when working beneath a vehicle and wear eye protection. Do not cut access or attachment holes with a torch.

This product complies with safety specifications and requirements for connecting devices and towing systems of the state of New York, V.E.S.C. Regulation V-5 and SAE J684.