



Installation Instructions

PART NUMBERS: 36597, 06183, CQT36597

WARNING

To prevent **SERIOUS INJURY, DEATH or PROPERTY DAMAGE:**

- **ALWAYS read, understand and follow warnings and instructions for your hitch BEFORE installation. Keep for future reference.**
- **DO NOT cut, weld or modify this receiver.**
- **CHECK all fasteners are tight and your hitch is securely mounted to your vehicle periodically.**
- **ALWAYS read, understand and follow all warnings and instructions for your vehicle and for other accessories you will use with your hitch BEFORE use.**
- **LOAD the trailer heavier in front.**
- **DO NOT exceed lower of towing vehicle manufacturer's rating or:**

Hitch Type	Max Gross Trailer Weight	Max Tongue Weight
Weight Carrying	3500 lb. (1589 Kg)	350 lb. (159 kg)
Weight Distributing	N/A	N/A

- **ALWAYS wear your seatbelt.**
- **SLOW DOWN when towing, NEVER exceed any posted speed limit.**
- **If EXCESS SWAY occurs, take your foot off the gas pedal and hold the steering wheel as steady as possible. DO NOT apply your brakes and DO NOT speed up.**

LIMITED LIFETIME WARRANTY

1. **Limited Lifetime Warranty ("Warranty").** Cequent Performance Products, Inc. ("We", "Us" or "Our") warrants to the original consumer purchaser only ("You" or "Your") that the product will be free from material defects in both material and workmanship, ordinary wear and tear excepted. The Warranty is valid only if (a) the products are returned to Us for inspection and testing; (b) Our inspection discloses to Our satisfaction that any alleged nonconformance are material and have not been caused by misuse, neglect, wear and tear, improper installation, unsuitable storage, improper repair, alteration, or accident; and (c) the products were installed, maintained and used in accordance with Our instructions. **THE WARRANTY IS MADE IN LIEU OF ALL OTHER WARRANTIES, EXPRESS OR IMPLIED (OTHER THAN THE WARRANTY OF TITLE AS PROVIDED BY THE UNIFORM COMMERCIAL CODE IN EFFECT IN MICHIGAN), INCLUDING WITHOUT LIMITATION, ANY WARRANTIES OF MERCHANTABILITY OR FITNESS FOR A PARTICULAR PURPOSE, SAID WARRANTIES BEING EXPRESSLY DISCLAIMED.**
2. **Obligations of Purchaser.** Any returned product that is replaced by Us becomes our property. You may be responsible for return shipping costs. Please retain your purchase receipt to verify date of purchase and that You are the original consumer purchaser. The product and the purchase receipt must be provided to Us in order to process Your Warranty claim.
3. **Exclusive Remedy.** Product replacement is Your sole and exclusive remedy under this Warranty. We shall not be liable for service or labor charges incurred in removing or replacing a product. **IN NO EVENT WILL WE BE RESPONSIBLE FOR ANY INDIRECT, SPECIAL, CONSEQUENTIAL OR PUNITIVE DAMAGES.**
4. **Assumption of Risk.** You acknowledge and agree that any use of the product for any purpose other than the specified use(s) stated in the product instructions is at Your own risk.
5. **Governing Law.** This Warranty gives You specific legal rights, and You also may have other rights which vary from state to state. This Warranty is governed by the laws of the State of Michigan, without regard to rules pertaining to conflicts of law. The state courts located in Oakland County, Michigan shall have exclusive jurisdiction for any disputes relating to this Warranty.



Installation Instructions

PART NUMBERS: 36597, 06183, CQT36597

Applications:

Years	Make	Models
-------	------	--------

2017-Current*	Honda	CR-V
---------------	-------	------

*Visit our website for the most up to date information regarding application years and trim levels.

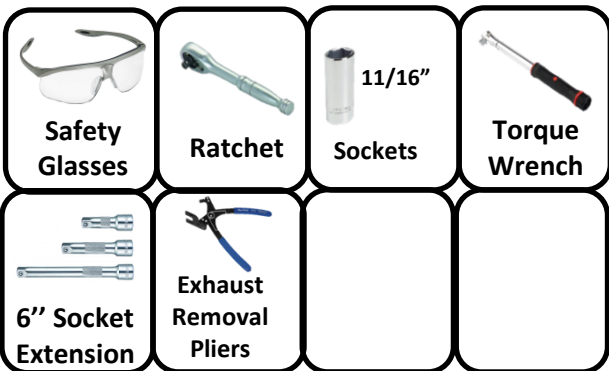
Installation Time: **20 min.**

The time listed above is the average time for professional installers. If you do not feel comfortable performing this installation on your own or are in need of assistance, please contact a professional installer.



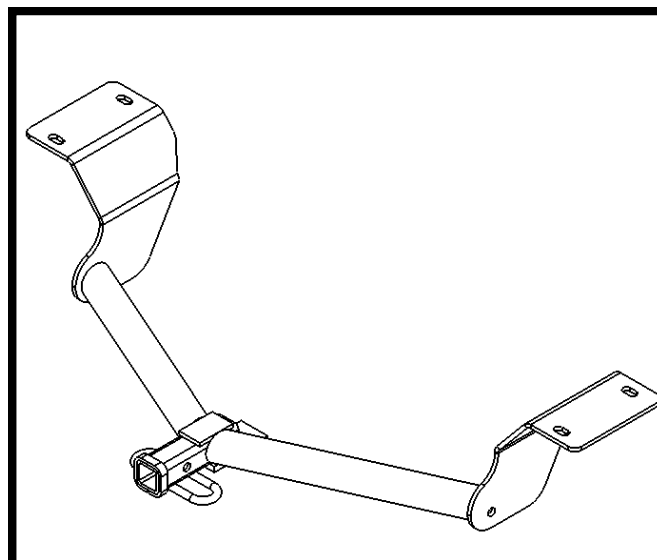
Representative Vehicle Photo

Equipment Required:



**DO NOT EXCEED LOWER OF TOWING VEHICLE
MANUFACTURER'S RATING OR:**

Hitch Type	Max Gross Trailer Weight	Max Tongue Weight
Weight Carrying	3500 lb. (1589 Kg)	350 lb. (159 kg)
Weight Distributing	N/A	N/A



Hitch Illustration

Always wear SAFETY GLASSES when installing hitch

Installation Instructions

PART NUMBERS: 36597, 06183, CQT36597

Fasteners typical for both sides

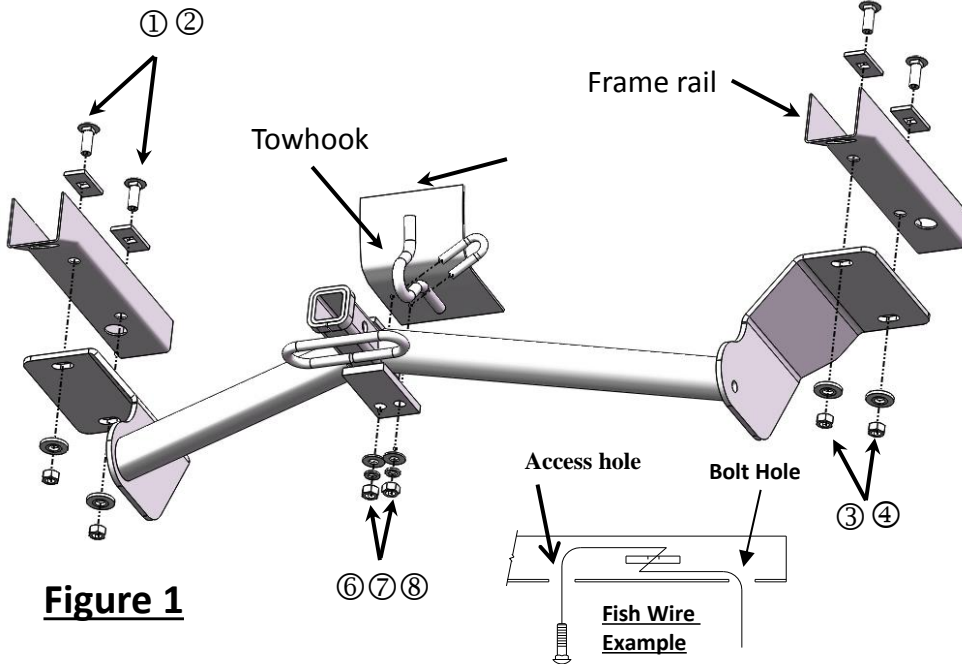








Figure 2

Fastener Kit: 36597F		
①	Qty.(4)	Carr. Bolt 7/16"-14 X 1 1/4" GR5 
②	Qty.(4)	Spacer 3/16" x 1" x 2" 
③	Qty.(4)	Conical washer 7/16" 
④	Qty.(4)	Hex Nut 7/16"-14 GR2 
⑤	Qty.(1)	U Bolt 3/8"-16 GR5 
⑥	Qty. (2)	Flat washer 3/8" 
⑦	Qty. (1)	Lock washer 3/8" 
⑧	Qty. (1)	Hex Nut 3/8"-16 GR2 
⑨	Qty. (4)	Fish wire 7/16" 

Authorized Drawbar Kit:
36051 (Sold Separately)
 Drawbar must be used in the **RISE** position only.

- Lower exhaust** - Remove the rubber isolators from the exhaust at the rear of the vehicle, (figure 2) both sides. It may be necessary to remove the isolator forward of the rear axle. Spraying a lubricant or soapy water on the metal hanger rod and the rubber isolator eases removal.
 - Install hardware** - Using the fish wire install items 1 and 2 as shown in figure 1 through the large access hole at the end of the vehicle frame. Repeat for both sides. **Note:** Keep the fish wire attached to the hardware.
 - Install hitch** - Gently raise hitch into position, carefully guiding the hitch over the mufflers. Feed the end of the fish wires through the attachment holes in the hitch, be careful not to push the hardware back into the vehicle frame. Loosely install items 3 and 4 to hold the hitch in place. Conical washer teeth side against hitch. Install item 5 over the towhook and through the bracket at the back of the hitch receiver, then loosely install items 6,7 & 8 onto item 5 as shown in Fig. 1.
 - Tighten all 7/16"-14 fasteners with torque wrench to 50 Lb.-Ft. (68 N*M) and 3/8"-16 fasteners to 30Lb.-Ft. (41 N*M)**
- ! Proper torque is needed to keep the hitch secure to the vehicle when towing.**
- Raise exhaust** – Raise the vehicle exhaust back into position and reinstall all isolators removed in step 1.

Note: check hitch frequently, making sure all fasteners and ball are properly tightened. If hitch is removed, plug all holes in trunk pan or other body panels to prevent entry of water and exhaust fumes. A hitch or ball which has been damaged should be removed and replaced. Observe safety precautions when working beneath a vehicle and wear eye protection. Do not cut access or attachment holes with a torch.

This product complies with safety specifications and requirements for connecting devices and towing systems of the state of New York, V.E.S.C. Regulation V-5 and SAE J684.