

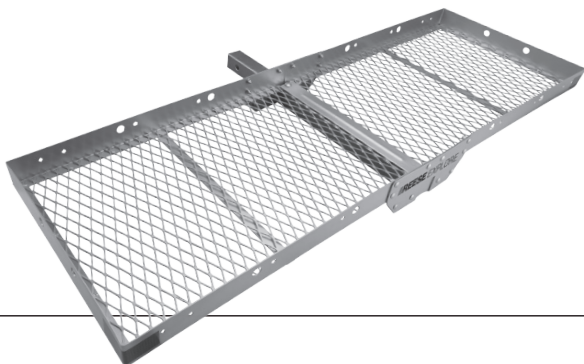
These instructions contain **IMPORTANT** safety information. Please read and keep for future reference.

WARNING

The user must read and understand these Instruction Sheets and the Warranty.

Installation is the end user's responsibility and beyond Cequent Consumer Products' control. Therefore, Cequent Consumer Products exclusively limits its Warranty to the repair or replacement of a defective product. Damage to your vehicle, your cargo or any person or property is excluded.

- Your cargo tray must be inspected for signs of wear, corrosion and fatigue before each use. **DO NOT** use if bent or deformed.
- Make sure your cargo tray is secure before every trip. Check at each stop to ensure your cargo tray is secure.
- **DO NOT** exceed your cargo tray's weight capacity or your hitch tongue weight rating, whichever is lower. The capacity of your cargo tray is 500 lb. (226 kg).
- **DO NOT** attempt to drill, weld, or modify your cargo tray or any of the system components.
- If cargo tray or cargo is in line with exhaust pipe, an exhaust tip must be used to redirect the exhaust flow away.
- Position cargo so that the center of gravity is positioned in the middle third of the cargo tray.
- **DO NOT** use your cargo tray for purposes other than those for which it was designed.
- **DO NOT** use cargo tray to transport people, animals, or flammable liquids.
- Check local and state laws governing projection of objects beyond the perimeter of a vehicle.
- **NEVER** use elastic straps or belts to secure cargo.
- **ALWAYS** obey all posted speed limits and be aware of traffic conditions. Adapt your speed to the conditions of the road and the load being carried.
- **REDUCE YOUR SPEED.** Your vehicle can handle differently when transporting cargo.
- **FREQUENTLY** check your cargo tray and make sure the cargo is secure. Cargo can shift or your cargo tray can loosen during travel. Readjust as needed. If movement continues, stop use.
- When using your cargo tray to transport cargo, **ALWAYS** use caution when opening hatch to prevent damage to vehicle.
- **ALWAYS** unload all objects before removing your cargo tray from hitch.
- Remove your cargo tray when not in use and before entering automatic car washes.
- The proper attachment of this product in accordance with the enclosed instructions is critical to its proper performance. See instructions for proper attachment, proper usage, and important safety messages. Cequent Consumer Products, Inc. has no control over, or responsibility for, the attachment or the installation. Cequent Consumer Products, Inc. is **NOT** responsible nor will it be held liable for any damage resulting from its attachment or improper use. Cequent Consumer Products, Inc. shall not be liable for any claims of any kind greater than the purchase price of the product. Warranty information available upon request.
- **NOTICE:** Your cargo basket will not prevent property damage that may result from improper loading, securing, or driving.



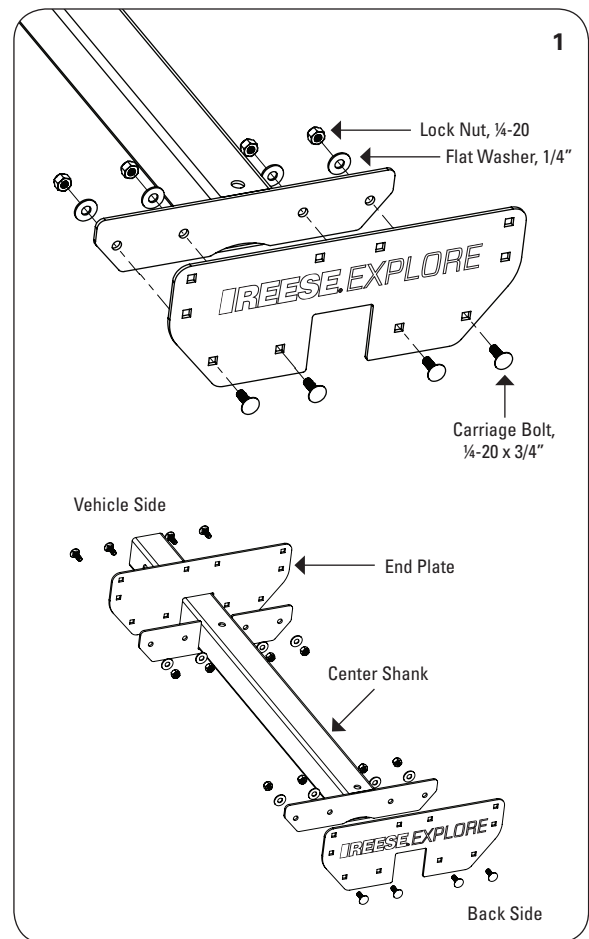
ASSEMBLY INSTRUCTIONS

Tools required for assembly: 9/16" wrench, 7/16" wrench or socket, torque wrench.

QTY.	DESCRIPTION	QTY.	DESCRIPTION
20	Carriage Bolt, 1/4-20 x 3/4"	1	Hitch Pin, 5/8"
2	Carriage Bolt, 3/8-16 x 3.00"	1	Hitch Pin Clip
20	Lock Nut, 1/4-20	2	End Plate
2	Lock Nut, 3/8-16	1	Center Shank
20	Flat Washer, 1/4"	1	Center Cover
2	Flat Washer, 3/8"	2	1/2 Tray Frame

Attach End Plates To Center Shank

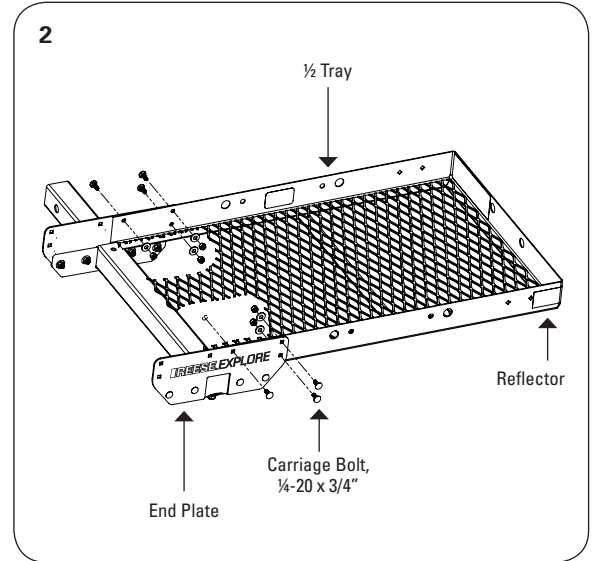
- Loosely, secure both end plates to center shank with 1/4-20x3/4" carriage bolts, 1/4-20 lock nuts and 1/4" washers as shown. Insure the end plate with logo is on the back side of tray. **FIG 1.**



ASSEMBLY INSTRUCTIONS

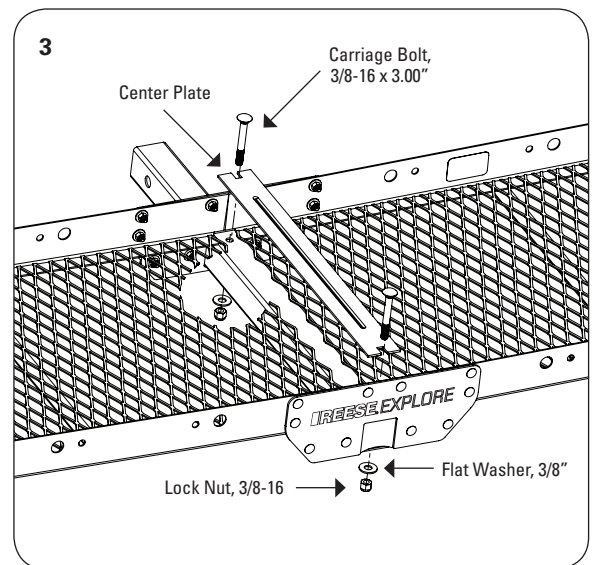
Attach Tray Halfs to End Plates and Center Shank

1. Place (1) tray half between the end plates. Insure reflector is facing rearward. Align holes as shown and loosely secure with $\frac{1}{4}$ -20x $\frac{3}{4}$ " carriage bolts, $\frac{1}{4}$ -20 lock nuts and $\frac{1}{4}$ " washers. **FIG 2.**
2. Secure the other tray half in the same manner.
3. Once all items are positioned properly, tighten all $\frac{1}{4}$ -20x $\frac{3}{4}$ " carriage bolts to 175 in-lbs.



Installing Center Cover Plate

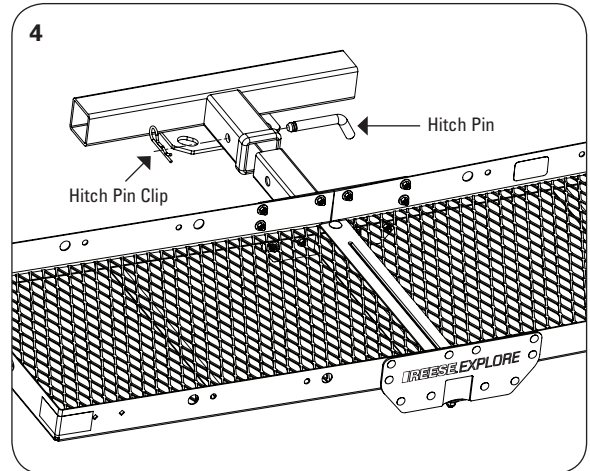
1. Install center cover and secure with $\frac{3}{8}$ -16x3" carriage bolts, $\frac{3}{8}$ -16 lock nuts and $\frac{3}{8}$ " washers. **FIG 3.**



PROPER USAGE

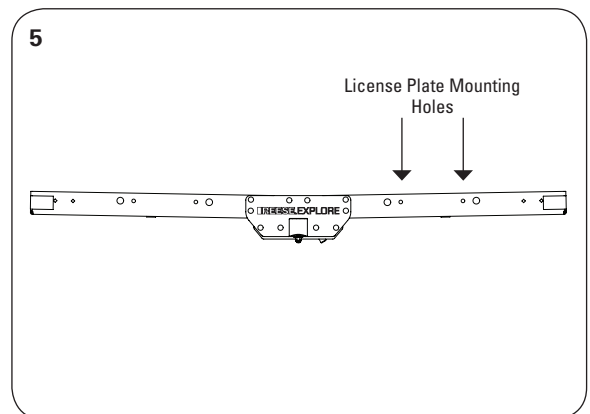
Secure to Vehicle

1. Secure tray to vehicle with hitch pin and hitch pin clip.
FIG 4.



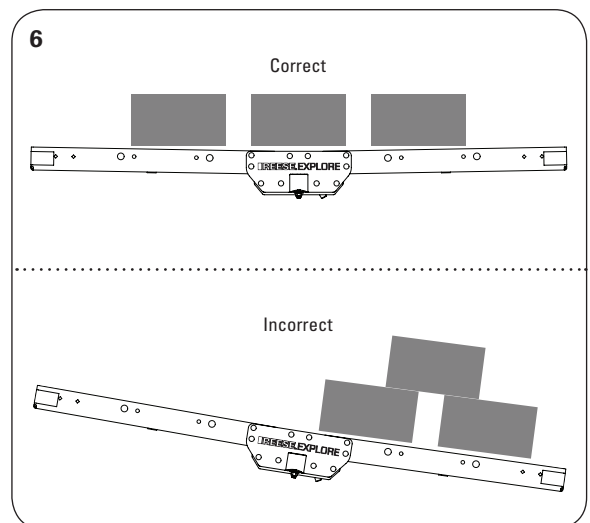
IMPORTANT NOTE

1. If the cargo tray or cargo blocks the license plate, you can mount the license plate directly to the back of the cargo tray using the two existing holes in the tray. Screws not included.
FIG 5.



Loading

1. Lift the cargo onto the cargo tray. Place heavy, large objects on first and evenly distribute the weight so that the most of the weight is in the center of the platform. **FIG 6.**
2. Secure the cargo to the cargo tray. Make sure all bolts, straps, knobs and locks are firmly attached and locked before every trip. Straps sold separately.



CAUTION

The cargo carrier tray rating is the **LOWEST** of the following:

- Cargo tray rating (500 lb)
- Hitch tongue weight rating
- Vehicle manufacturer tongue weight rating