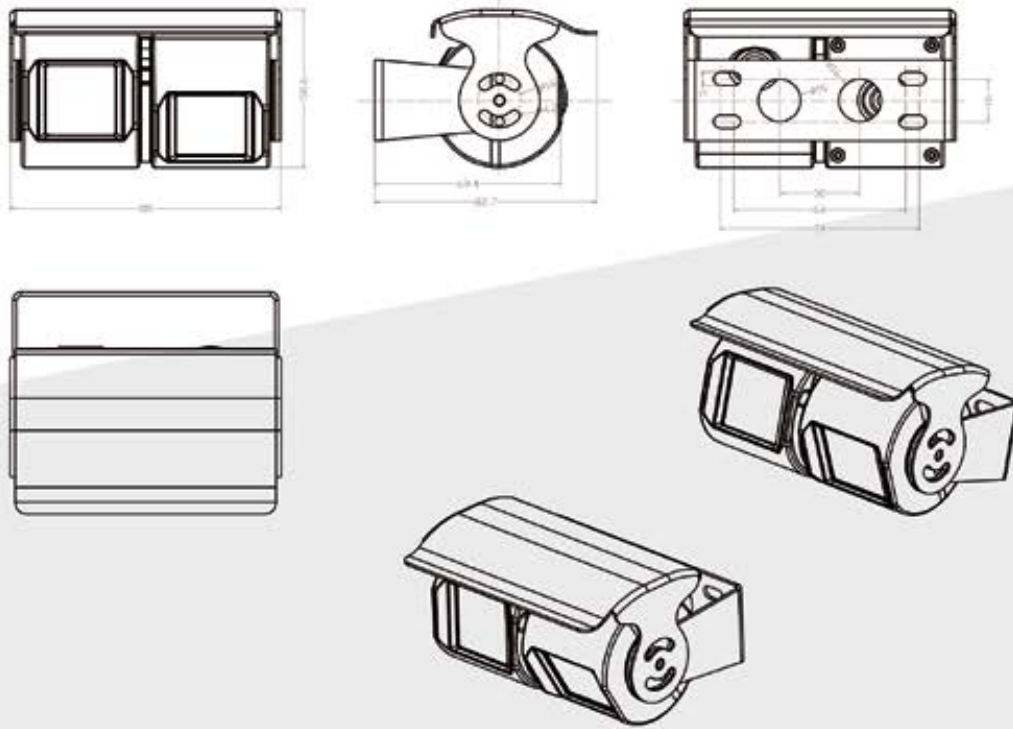


# DUAL LENS BACKUP CAMERA (RCA CONNECTORS)

## RVS-813



## SPECIFICATIONS

CAMERA	1/3" SONY® COLOR CCD
PICTURE ELEMENTS	250,000 PIXELS
GAMMA CORRECTION	R=0.45 TO 1.0
IMAGE SENSOR	480TV LINES PAL:500(H)*582(V), NTSC:510(H)*492(V)
LENS	2.1MM
VIEW ANGLE	130°
SYNC SYSTEM	INTERNAL SYNCHRONIZATION
INFRA-RED DISTANCE	50 FEET (18 INFRARED IR)
USABLE ILLUMINATION	0 LUX (IR ON)
POWER SOURCE	DC 12V
S/N RATIO	MORE THAN 48DB
ELECTRONIC IRIS	1/50, 1/60-1/100,000SEC
VIDEO OUTPUT	1VP.P 750HM
IR SWITCH CONTROL	CDS AUTOMATIC CONTROL
VIBRATION RATING	20G
OPERATING TEMPERATURE	-40°C - 50°C / RH 95% MAX
STORAGE TEMPERATURE	-40°C - 60°C / RH 95% MAX

**REAR VIEW**  
**SAFETY**

A Safe Fleet Brand



## DUAL LENS BACKUP CAMERA

Our color CCD Sensor Dual Lens Backup Camera comes with two 2.1 mm Sony Lenses encased in heavy duty zinc metal. The camera angles are adjustable making this camera perfect to face one down at the bumper and one out at traffic. They each have a viewing angle of 130° with 480 TV lines for the best quality image.

The Infra-Red Lights on each camera allow vision at night up to 50ft and with its IP68 rating, this camera is fit to ride out any storm.

Learn more about other cameras & driver safety products by Rear View Safety on our website.