



4/3/13

**'99-'10 CHEVROLET/GMC**

**IFS 4WD (8-LUG) HD  
6" SUSPENSION SYSTEM  
P/N: 10-41800**

**&**

**IFS 2WD (8-LUG) HD  
6" SUSPENSION SYSTEM  
P/N: 10-41200**

**INSTALLATION INSTRUCTIONS**

**NOTE:** Each Lift Kit, and options to Lift Kits, are packaged separately. Therefore installation procedures are covered in separate instructions. Familiarize yourself with each set of instructions before beginning.

## Parts List

<u>Item</u>	<u>Description</u>	<u>Qty</u>	<u>Illus.</u>
<b><u>Box 1 of 5 (41200 &amp; 41800)</u></b>			
20-51899-1	Front Crossmember	1	11
20-51899-2	Rear Crossmember	1	11
<b><u>Box 2 of 5 (41200 &amp; 41800)</u></b>			
20-51800-5D	Front Spindle (Drvr.)	1	
20-51800-6P	Front Spindle (Pass.)	1	
<b><u>Box 3 of 5 (41200 &amp; 41800)</u></b>			
20-51800-4	Lateral Compression Strut	2	14
20-51099-22	Bracket, Strut Mount	2	14
20-68409	Hardware Pack Containing: (Compression Strut)		
15-11148	Bushing, Red	8	14
20-830918	Sleeve, 3/4" x 2 3/4" Lg.	4	14
20-832257	Sleeve, 3/4" x 1 1/2" Lg.	2	14
20-67902	Hardware Pack Containing: (Compression Strut)		
13-20069-Z	Hex Bolt, 1/2" 13 x 4" Lg. Gr. 5	4	14
13-21014-Z	Hex Bolt, 1/2" 13 x 3" Lg. Gr. 5	2	14
13-30034-Z	Flat Washer, 1/2" SAE	12	14
13-10038-Z	Nyloc Nut, 1/2" - 13	6	14
<b><u>Box 4 of 5 (41800 ONLY)</u></b>			
20-51800-3	Bracket, Torsion Bar Drop	2	15
20-51899-7	Bracket, Differential Support	1	9
20-51899-8	Bracket, Differential Drop (Pass)	1	10
20-830658	Block, Rear - 4"	2	17
20-68383	Hardware Pack Containing (Drive Axle Spacer)		
20-51899-20	Drive Axle Spacer	2	12
13-22769-Z	Hex Bolt, 10mm x 1.5 x 50mm Gg. 10.9	12	12
13-30642-Z	Flat Washer, 10mm Hrdn.	12	12
13-90490	Loctite Compound	1	
20-67850	Hardware Pack Containing (Torsion Bar Drop)		
13-21118-Z	Hex Bolt, 7/16" - 14 x 1 1/4" Lg. Gr. 8	8	15
13-30304-Z	Flat Washer, 7/16" Hrdn.	16	15
13-10384-Z	Top Lock Nut, 7/16" - 14 Gr. C	8	15
15-11174	Bushing, Red	4	15
20-832257	Sleeve, 3/4" x 1.52" Lg.	2	15
20-68396	Hardware Pack Containing: (Differential Support & Drop)		
13-22665-Z	Hex Bolt, 9/16" - 12 x 1 3/4" Lg. Gr. 8	2	10
13-22704-Z	Hex Bolt, 7/16" - 14 x 3" Lg. Gr. 8	1	9
13-22639-Z	Bolt, 10mm x 1.5 x 60mm Lg. Gr. 10.9	5	9
13-30395-Z	Flat Washer, 9/16" Hrdn.	4	10

13-30304-Z	Flat Washer, 7/16" Hrdn.	2	9
13-30642-Z	Flat Washer, 10mm Hrdn.	5	9
13-10397-Z	Top Lock Nut, 9/16" - 12 Gr. C	2	10
13-10384-Z	Top Lock Nut, 7/16" - 14 Gr. C	1	
15-11148	Bushing, Red	2	9
20-832725	Sleeve, 3/4" x 2 1/4" Lg.	1	9
20-69117	Hardware Pack Containing: (Sway Bar Extension)		
20-833739	Sway Bar Extension (9 1/2")	2	16
13-22743-Z	Button Head, 1/2" - 13 x 3" Lg.	2	16
13-30694-Z	Washer, Bushing Retainer 1-1/4"	6	16
13-10878-Z	Nyloc Nut, 1/2"-20	2	16
15-11616	Inner Bushing, Sway Bar Link	2	16
15-11629	Outer Bushing, Sway Bar Link	2	16
15-11746	Bushing, Sway Bar Flex Joint	4	16
20-68760	Hardware Pack Containing: (Front & Rear Crossmember)		
13-21950-Z	Hex Bolt, 5/8" - 11 x 5 1/2" Gr. 8	2	
13-22028-Z	Hex Bolt, 5/8" - 11 x 4 1/2" Gr. 8	2	
13-22951-Z	Hex Bolt, 3/8" - 16 x 2 1/4" Gr. 8	2	
13-22938-Z	Hex Bolt, 3/8" - 16 x 1 1/4" Gr. 8	2	
13-30369-Z	Flat Washer, 5/8" Hrdn	8	
13-30408-Z	Flat Washer, 3/8" Hrdn.	2	
13-30151-Z	Lock Washer, 3/8"	2	
13-10345-Z	Top Lock Nut, 5/8" - 11	4	
13-10553-Z	Top Lock Nut, 3/8" - 16	2	
20-830866	Spacer, 1.85 x 2.81"	1	
11-15144	Spacer, Existing Skidplate 1" x .219 x .31	2	
20-68279	Hardware Pack Containing: (Rear Bumpstop Extension)		
20-51292-14	Rear, Brake Line Extension	1	
20-51292-15	Rear, Bumpstop Extension	2	
13-20081-Z	Hex Bolt, 3/8" - 16 x 1 1/4" Lg.	4	
13-20536-Z	Hex Bolt, 5/16" - 18 x 1" Lg.	2	
13-30012-Z	Flat Washer, 3/8" SAE	8	
13-30187-Z	Flat Washer, 5/16" SAE	4	
13-10022-Z	Nyloc Nut, 3/8" - 16	4	
13-10155-Z	Nyloc Nut, 5/16" - 18	2	
20-65471	Hardware Pack Containing: (U-bolt Hardware)		
13-30369	Flat Washer, 5/8" Hrdn.	8	17
13-10488	High Nut, 5/8" - 18	8	17
20-68305	Hardware Pack Containing: (RCD Universal)		
13-20447-Z	Unslot Hex, #10 x 1/2"	4	
15-10966	Claim, 3/8" x 3/8" x .203"	4	
15-11395	Wire Tie, 6"	4	
15-11447	Wire Tie, 8"	2	
15-11460	Wire Tie, 11"	2	
20-830554	Cap, Frame	1	7
13-90347	U-Bolt, 5/8" - 18 x 14"	4	17

**Box 4 of 5 (41200 ONLY)**

20-51800-3	Bracket, Torsion Bar Drop	2	15
20-830658	Block, Rear - 4"	2	17
20-67850	Hardware Pack Containing (Torsion Bar Drop)		
13-21118-Z	Hex Bolt, 7/16" - 14 x 1 1/4" Lg. Gr. 8	8	15
13-30304-Z	Flat Washer, 7/16" Hdrn.	16	15
13-10384-Z	Top Lock Nut, 7/16" - 14 Gr. C	8	15
15-11174	Bushing, Red	4	15
20-832257	Sleeve, 3/4" x 1.52" Lg.	2	15
20-69117	Hardware Pack Containing: (Sway Bar Extension)		
20-833739	Sway Bar Extension (9 1/2")	2	16
13-22743-Z	Button Head, 1/2" - 13 x 3" Lg.	2	16
13-30694-Z	Washer, Bushing Retainer 1-1/4"	6	16
13-10878-Z	Nyloc Nut, 1/2"-20	2	16
15-11616	Inner Bushing, Sway Bar Link	2	16
15-11629	Outer Bushing, Sway Bar Link	2	16
15-11746	Bushing, Sway Bar Flex Joint	4	16
20-68760	Hardware Pack Containing: (Front & Rear Crossmember)		
13-21950-Z	Hex Bolt, 5/8" - 11 x 5 1/2" Gr. 8	2	
13-22028-Z	Hex Bolt, 5/8" - 11 x 4 1/2" Gr. 8	2	
13-22951-Z	Hex Bolt, 3/8" - 16 x 2 1/4" Gr. 8	2	
13-22938-Z	Hex Bolt, 3/8" - 16 x 1 1/4" Gr. 8	2	
13-30369-Z	Flat Washer, 5/8" Hrdn	8	
13-30408-Z	Flat Washer, 3/8" Hrdn.	2	
13-30151-Z	Lock Washer, 3/8"	2	
13-10345-Z	Top Lock Nut, 5/8" - 11	4	
13-10553-Z	Top Lock Nut, 3/8" - 16	2	
20-830866	Spacer, 1.85 x 2.81"	1	
11-15144	Spacer, Existing Skidplate 1" x .219 x .31	2	
20-68279	Hardware Pack Containing: (Rear Bumpstop Extension)		
20-51292-14	Rear, Brake Line Extension	1	
20-51292-15	Rear, Bumpstop Extension	2	
13-20081-Z	Hex Bolt, 3/8" - 16 x 1 1/4" Lg.	4	
13-20536-Z	Hex Bolt, 5/16" - 18 x 1" Lg.	2	
13-30012-Z	Flat Washer, 3/8" SAE	8	
13-30187-Z	Flat Washer, 5/16" SAE	4	
13-10022-Z	Nyloc Nut, 3/8" - 16	4	
13-10155-Z	Nyloc Nut, 5/16" - 18	2	
20-65471	Hardware Pack Containing: (U-bolt Hardware)		
13-30369	Flat Washer, 5/8" Hrdn.	8	17
13-10488	High Nut, 5/8" - 18	8	17
20-68305	Hardware Pack Containing: (RCD Universal)		
13-20447-Z	Unslot Hex, #10 x 1/2"	4	
15-10966	Claim, 3/8" x 3/8" x .203"	4	
15-11395	Wire Tie, 6"	4	

15-11447	Wire Tie, 8"	2	
15-11460	Wire Tie, 11"	2	
13-90347	U-Bolt, 5/8" - 18 x 14"	4	17
<b><u>Box 5 of 5 (41200 &amp; 41800)</u></b>			
BE5-6135-T5	Shock Absorber (Front)	2	
BE5-6134-T5	Shock Absorber (Rear)	2	

## **BEFORE YOU BEGIN**

- ❑ Installation by a professional mechanic is recommended. Use of the appropriate power tools, a Chevrolet/GMC service manual and shop hoist can greatly reduce installation time.
- ❑ Prior to Installation, carefully inspect the vehicle's steering and drivetrain systems, paying close attention to the tie rod ends, Pitman and Idler Arms, Ball and Joints and wheel bearing preload. Also check steering-to-frame and suspension-to-frame attaching points for stress cracks. The overall vehicle must be in excellent working condition; repair or replace worn parts.
- ❑ Read instructions carefully and study the illustrations before attempting installation. *RCD Suspension* is not responsible for damage, failure or injury resulting from improper installation or parts substitution of this kit.
- ❑ Check the parts and hardware against the parts list to assure that your kit is complete. The parts and hardware supplied are of high-grade material and must not be re-placed by inferior parts or failure may result.
- ❑ Separate parts according to the areas that they will be used. Placing the hardware with brackets before you begin will save installation time.
- ❑ All components in this kit come with protective coating. Do not plate (i.e. chrome, cadmium, zinc, etc.) or otherwise alter the finish in any way. This could weaken the structural strength of the components.
- ❑ Secure and properly block vehicle prior to beginning installation.
- ❑ Always wear safety glasses when using power tools.
- ❑ Foot-pound torque readings are listed on the Torque Specifications chart at the end of the instructions unless specifically stated in an instruction. **DO NOT USE AN IMPACT WRENCH TO TIGHTEN ANY OF THE BOLTS.**

## **PLEASE NOTE**

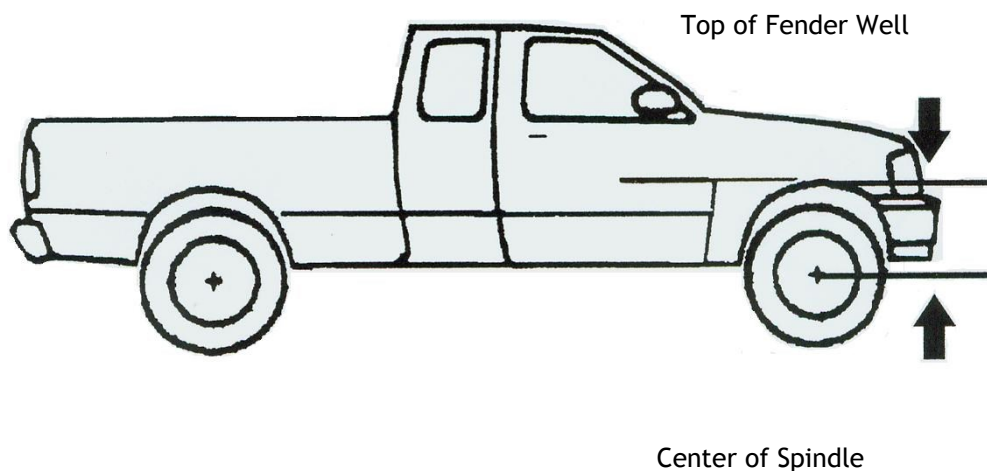
- **WARNING:** DO NOT USE WHEEL SPACERS.
- System will not work on “air ride” or “electronic shock” equipped vehicles.
- Some 4wd models may require an exhaust modification to clear front drive shaft.
- No special drive shaft is required. Stock drive shafts are retained.
- Vehicles equipped with a 2-piece rear drive shaft may require #20-68747 Drive Shaft Support Drop Down Bracket for the factory carrier bearing.
- Front-end realignment is necessary.
- Speedometer recalibration is necessary if bigger tires (10% more than stock diameter) are installed.
- Clears 33” x 12.50” tires on 16 x 8” wheels, or 35” x 12.50” with minor bumper trimming.
- Requires wheels with a maximum of 4.5” of back spacing.
- Headlights will have to be adjusted after install.
- The following special tools will be required for the proper removal and/or installation of this kit. These tools can be purchased from your GM Dealer.

Torsion Bar Unloading Tool # J 36202  
Steering Linkage Puller #J 24319-B  
Ball Joint Separator Tool #J 43631

## FRONT DISASSEMBLY

1. **GETTING STARTED:** Measure ride height with vehicle supporting its own weight. Ride height is the measured distance from the center of spindle to top of the fender well (**Illustration 1**). Raise the vehicle. If working without a shop hoist, put vehicle in gear, set emergency brake and block rear wheels, in front and behind tires. Loosen front wheel lug nuts. Place floor jack under the lower control arm's front crossmember and raise vehicle. Place safety jack stands under frame rails, behind front wheel wells, and lower the frame onto the stands. Remove front wheels.

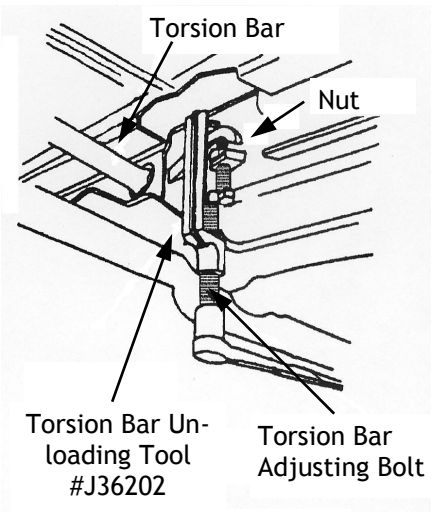
### Ride Height Measurement



### Illustration 1

**CAUTION:** Be extremely careful when loading or unloading the torsion bars. There is tremendous amount of stored energy in the bars. Keep your hands and body clear of the adjuster arm assembly and puller tool in case anything brakes.

2. Measure and record Torsion Bar Adjusting Screw depth for replacement of Torsion Adjuster Arm. Remove torsion bar adjusting screw. Apply a small amount of lubricating grease to J 36202 puller threads and puller shaft-to-adjuster arm contact point. Position puller over the adjuster arm and load adjuster arm until adjuster nut can be removed from the crossmember (**Illustration 2**). With bar unloaded, slide it further forward into the lower control arm. If bar seems lodged, use a hammer to punch through hole in the back of crossmember. When bar shifts forward, the adjuster arm will fall.



### Illustration 2

3. Remove torsion bar crossmember by removing the two bolts that connect crossmember to frame. With crossmember out of the way, the torsion bars can be dislodged from lower control arms and removed. Mark or separate the bars, since they must be reinstalled on the same side they were removed from.

4. Remove front shock absorbers.

5. Detach existing front Bumpstops from upper mounting cup. Set the Bumpstop aside. You will be re-using these items.

6. Remove anti-sway bar drop links, which connect bar body to lower control arms (**Illustration 3**).

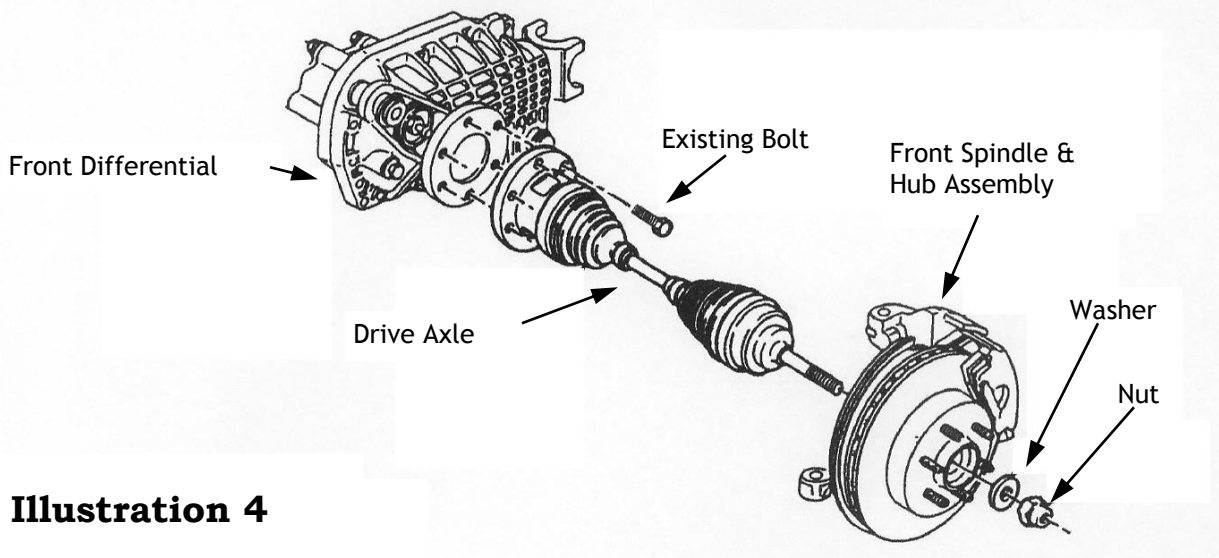
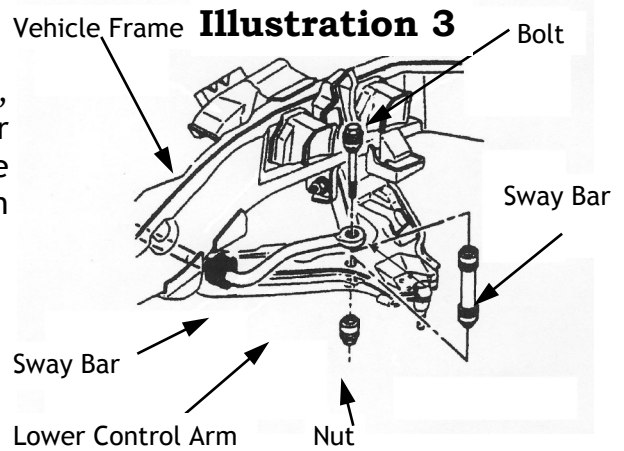
- **2WD 41200 kit, skip ahead to step 9.**

7. Mark differential flange and the drive axle flange for installation reference.

8. Remove nut and washer from hub (**Illustration 4**). Remove six bolts that fasten drive axle to differential. Pull drive axle out of hub through the lower control arm.

**NOTE:** Be careful not to damage the drive axle boots.

9. Locate then disconnect brake hose bracket. Locate the two caliper mounting bracket hex bolts attaching the brake caliper to rear of front knuckle. Remove the bolts then remove caliper and bracket as an assembly. Use a length of wire to secure caliper assembly out of the way and to prevent damage to brake lines.



**Illustration 4**



**CAUTION:** Do not allow brake caliper to hang by the brake hose.

10. Remove brake rotor. Locate tie rod end and remove the nut. Attach Universal Steering Link Puller (J 24319) and separate tie rod end from front spindle.
11. Separate ABS sensor cable at the frame near upper control arm, if applicable.
12. Locate front lower ball joint and remove nut from ball joint. Using Ball Joint Separator Tool (J 43631) apply pressure on tool until ball joint breaks loose from lower part of the front spindle.
13. Locate front upper ball joint. Remove nut from ball joint. Using Ball Joint Separator Tool (J 43631) apply pressure on tool until ball joint breaks loose from upper part of the front spindle.
14. Remove front spindle with the hub and bearing assembly attached, set aside. Remove lower control arm pivot bolts and remove lower control arm (Illustration 5).

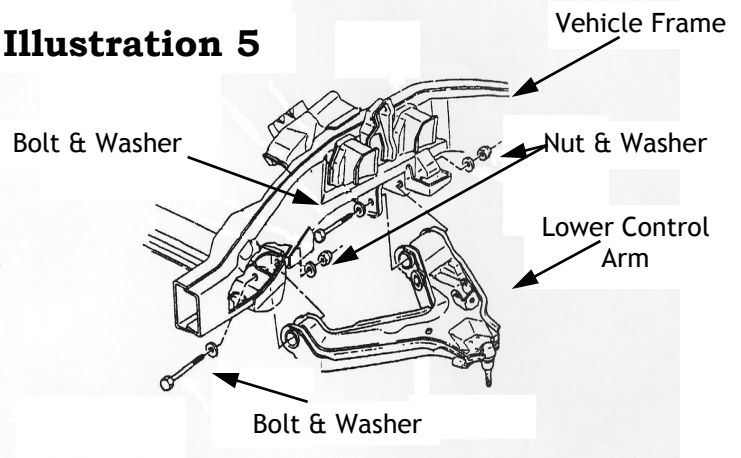
15. Repeat steps 4 through 14 on opposite side.

- 2WD 41200 kit, skip ahead to step FRONT INSTALLATION.

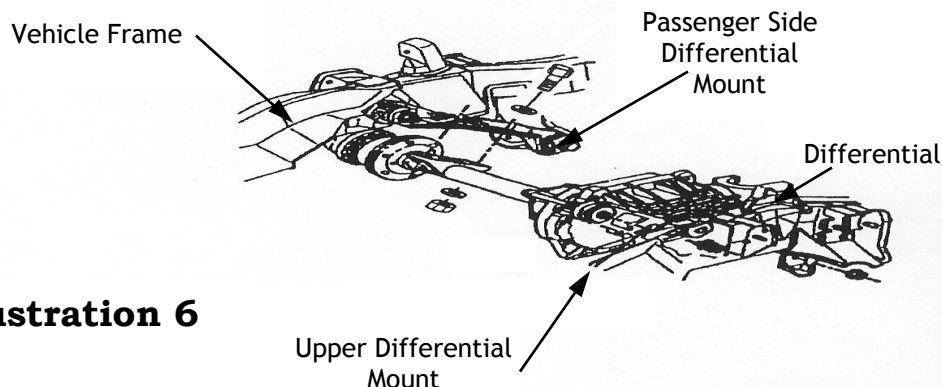
16. Remove the differential skid plate, if vehicle is so equipped.

17. Locate front drive shaft U-joint to differential yoke. Place an index mark for installation reference on both the drive shaft U-joint and differential yoke. Remove hardware from the yoke and slide shaft rearward to disengage. Tape bearing cap assemblies and secure shaft out of the way. Disconnect the electrical connector and vent hose from differential assembly.

**Illustration 5**

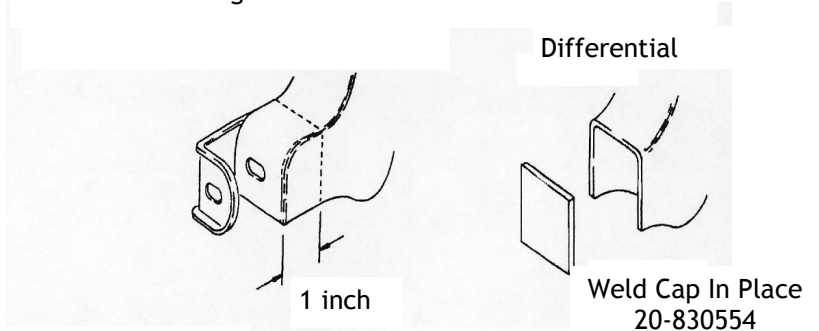


**Illustration 6**



18. Check different fluid level. Ensure that fluid level is 1/2" below the fill plug.
19. Support front differential assembly with a floor jack. Remove the upper mounting hardware and passenger side axle hardware (Illustration 6). Slowly remove the differential assembly from vehicle, and lower it to the floor.
20. On 4WD (Kit #41800) only use a suitable cutting tool (not a torch) and cut off driver side differential mount bracket approximately 1-1/2" to 1-5/8" (Illustration 7). If equipped, remove bolt on cross brace. Clean sharp edges and weld Frame Cap (20-830554) in place. Paint exposed metal.

**NOTE:** Use Suitable Cutting Tool & Cut Off As Shown. Do Not Use Cutting Torch.

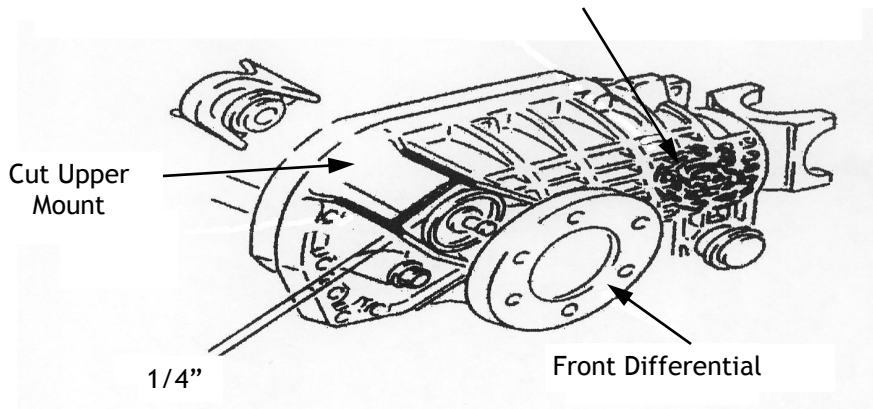


**Illustration 7**

21. Locate upper mount on front differential housing. Cut off upper mount (Illustration 8). If necessary, remove material from the left side of differential to provide clearance for the lower control arm frame mount, so differential can be centered on vehicle.

**Illustration 8**

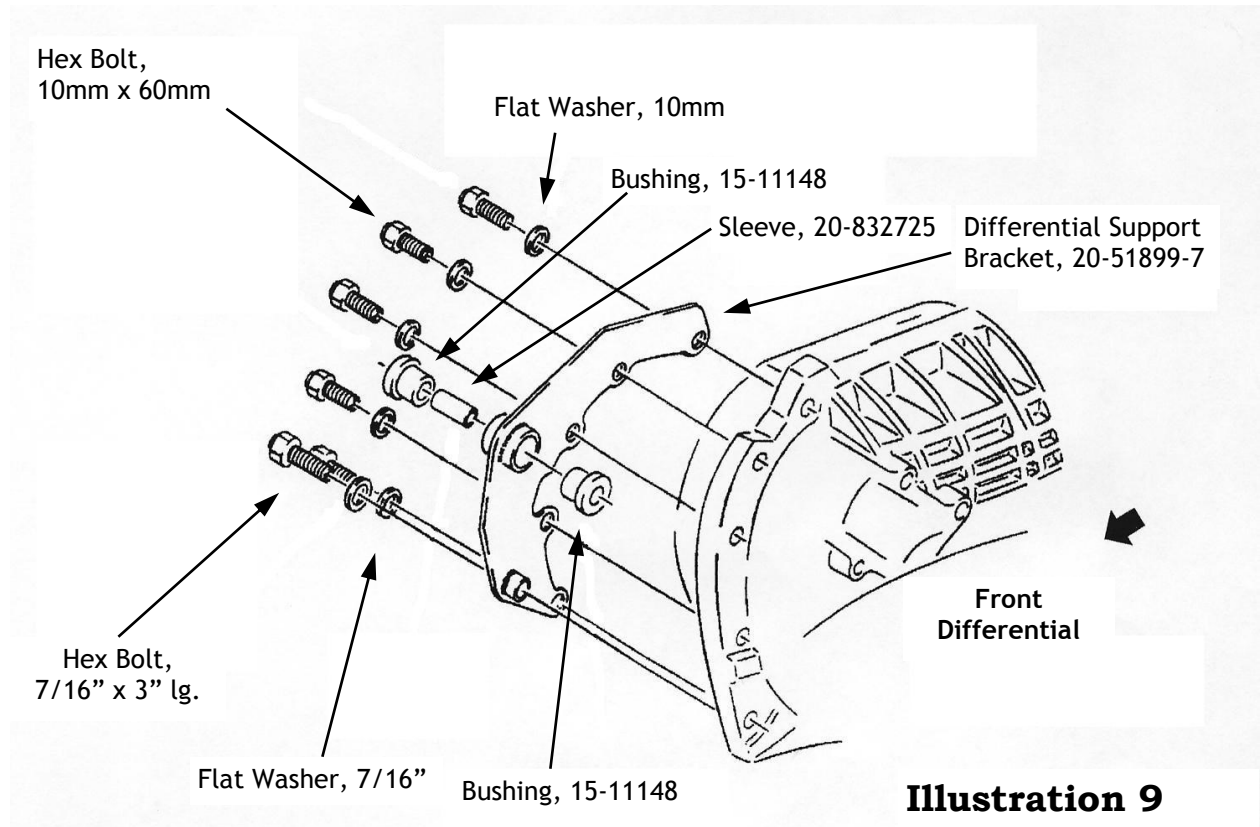
During Installation Grind This Area if Necessary



## FRONT INSTALLATION

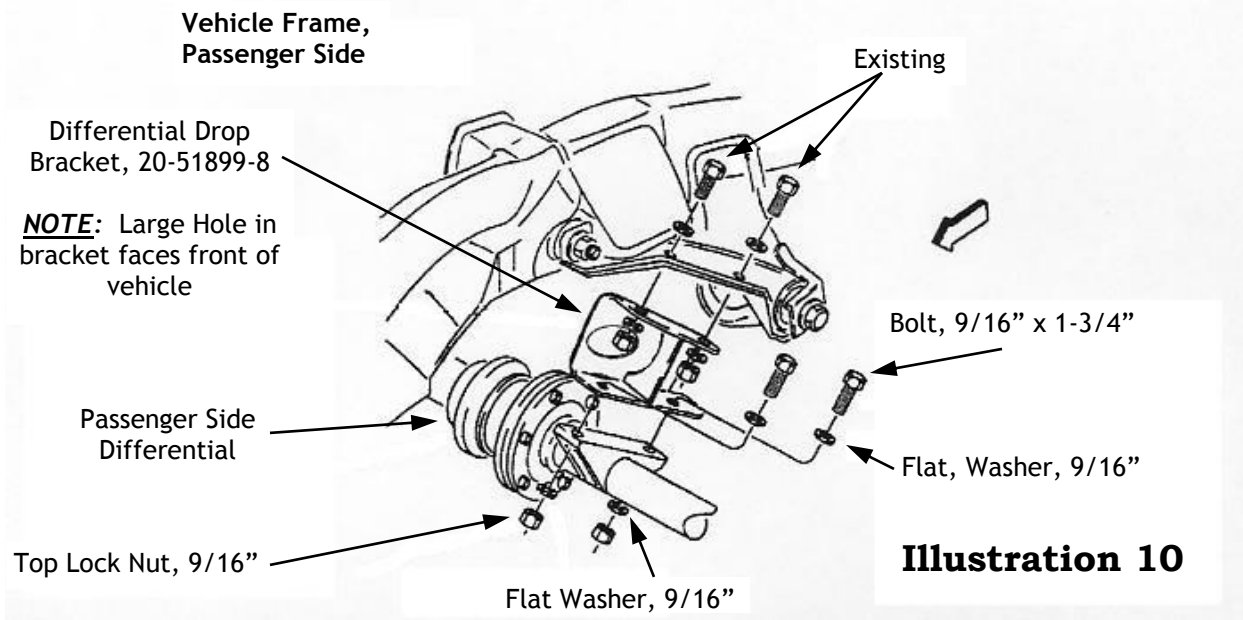
- 2WD 41200 kit, skip ahead to step 3.

1. Install Bushings (15-11148) and Sleeve (20-832725), into Differential Support Bracket (20-51899-7). Attach differential support bracket assembly to front differential (Illustration 9). Install with Loctite compound and hardware provided. Torque bolts to 45 ft. lbs.

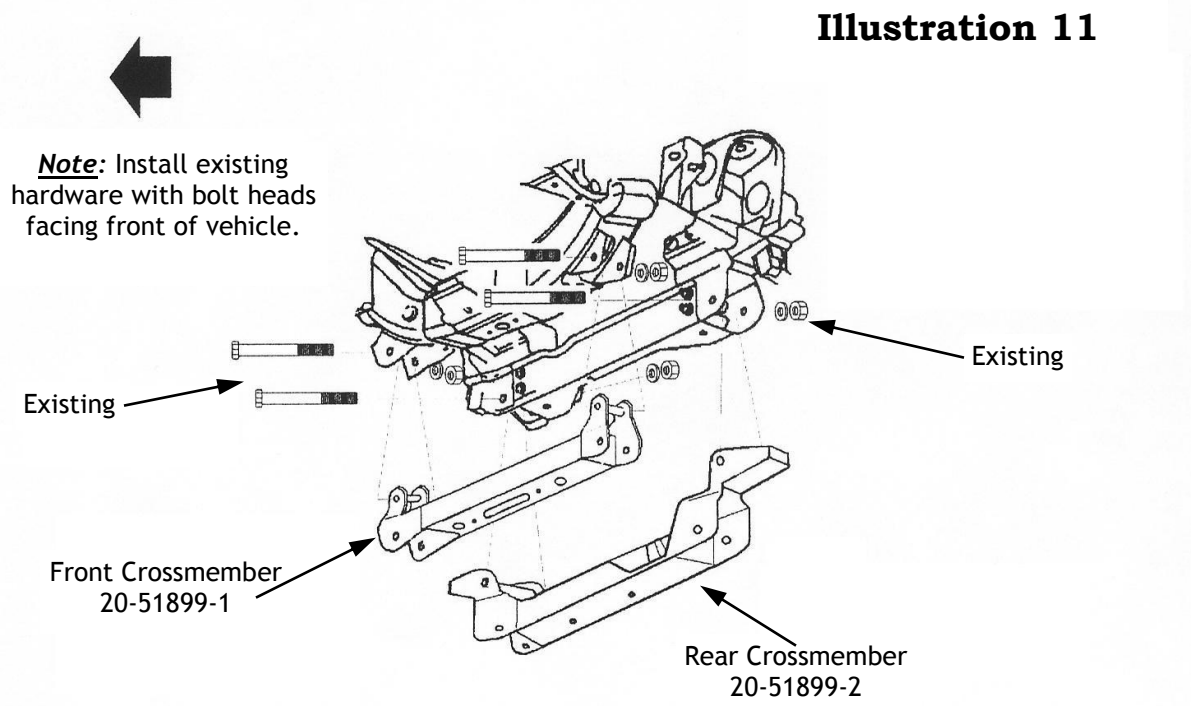


**NOTE:** When attaching the differential support bracket, gear oil may leak from the case. Place this assembly in a large oil pan before removing hardware to catch the excess oil. Add one excess pint of factory recommended lubricant to full differential while out of vehicle by tipping on side. (Axle Lubricant GM P/ N1052271 or SAE 80W-90 gl-5 Gear Lubricant)

2. Loosely attach the passenger side Differential Drop Bracket (20-51899-8) to the differential axle. Use hardware provided (Illustration 10).



3. Refer to **Illustration 11** and install Front Crossmember (20-51899-1) into existing front lower control arm mounting pockets using existing hardware previously removed. Make sure bolt heads are facing to the front of the vehicle. Do not tighten at this time.
4. Install Rear Crossmember (20-51899-2) into existing rear lower control arm mounting pockets, use existing hardware previously removed. Make sure bolt heads are facing to the front of the vehicle (**Illustration 11**). Do not tighten at this time.



5. Attach existing Bumpstops to rear crossmember Bumpstop pad using hardware previously removed.

• **2WD 41200 kit, skip ahead to step 9.**

6. Support front differential assembly with a floor jack. Slowly raise differential assembly into position.

7. Place front driver side Differential Support Bracket between tabs located on front crossmember. Position the rear driver side differential mount to rear crossmember differential mount. Install passenger side Differential Drop to frame bracket using existing hardware. Use existing hardware to attach Differential Support Bracket to the front crossmember. Attach rear differential mount to rear crossmember using locating Spacer (20-830866) between mount and differential to help center differential. Do not tighten at this time.

**NOTE:** Check to make sure the differential is centered in vehicle. Measure left to right and front to back to ensure differential is centered before tightening.

8. Reconnect differential vent hose and electrical connector. Align marks previously made on front drive shaft U-joint and differential yoke. Reconnect front drive shaft to the differential.

9. Install lower control arms into Front and Rear Crossmembers using 5/8" hardware provided. Do not tighten at this time.

**NOTE:** Check to make sure the differential is centered in vehicle. Measure left to right and front to back to ensure differential is centered before tightening.

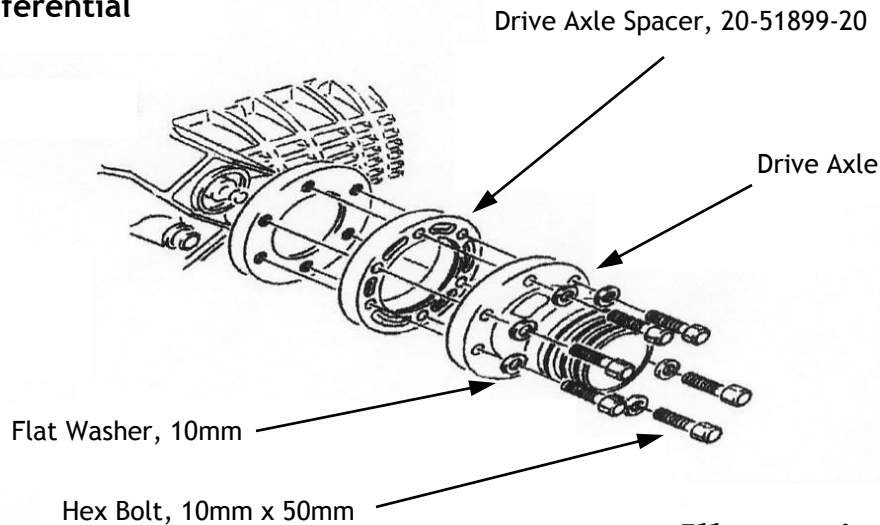
10. Torque existing lower control arm to crossmember nuts to 121 ft. lbs.. Starting with front then the rear. Torque front differential mounting hardware to 75 ft. lbs.

11. Remove the existing O-ring, splash shield, ABS wires, hub and bearing assembly from front spindle. Reinstall the O-ring, splash shield and hub and bearing assembly to new Front Spindle (20-51800-5D Drvr.) and (20-51800-6P Pass).

**NOTE:** Make sure hub and bearing assemblies are reinstalled on the same side they were removed from. Apply Loctite compound to existing hardware. Torque bolts to 133 ft. lbs.

12. Connect driver side front spindle assembly to the upper and lower control arm ball joints. Torque upper ball joint nut to 37 ft. lbs. Torque lower ball joint nut to 74 ft. lbs.

## Front Differential



**Illustration 12**

13. Loosen tie rod end jam nut and thread tie rod inward two complete turns. Retighten jam nut and attach tie rod to front spindle. Torque nut to 37 ft. lbs.

- **2WD 41200 kit, skip ahead to step 16.**

14. Reinstall drive axle into front spindle using hardware previously removed.

**NOTE:** Do not lubricate drive axle splines or front spindle with grease.

15. Place Drive Axle Spacer (20-51899-20) against differential flange (**Illustration 12**). Align reference marks on the axle flange and differential flange. Make sure all mounting holes are aligned with each other. Attach using Loctite compound and hardware provided, torque bolts to 58 ft. lbs. Rotate axle assembly to make sure Spacer bolt heads clear frame. Clearance frame if necessary.

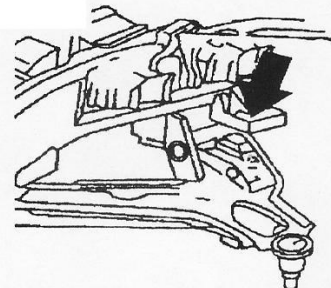
16. Install brake rotor. Attach front caliper assembly using previously removed hardware. Torque caliper-to-knuckle mounting hex bolts to 129 ft. lbs.

17. Torque axle hub nut to 165 ft. lbs.

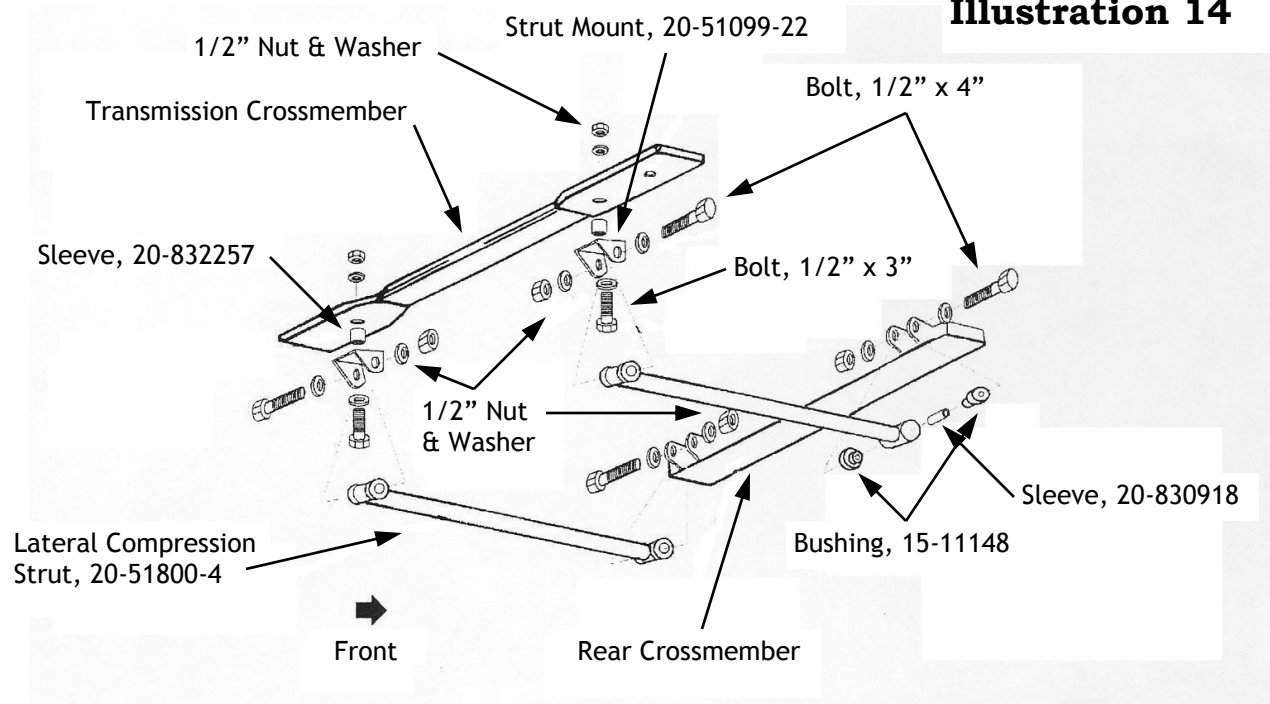
18. Install new longer front Shock Absorbers (BE5-6135). You need at least 1/2" clearance between shock body and stock bumpstop frame bracket. If not, grind leading edge of stock bumpstop bracket as shown in **Illustration 13**.

Driver's  
Side Shown

**Illustration 13**



**Illustration 14**



19. Repeat steps 12 through 18 on opposite side.

20. Re-install front skid plate using existing hardware previously removed. Use Spacer (11-15144) and 3/8" hardware provided and attach to Rear Crossmember, making sure skid plate does not touch front differential.

21. Cycle front suspension through full travel cycle and check for adequate clearance between shocks, Bumpstops, and brake line hoses.

22. Remove the trans skid plate, if vehicle is so equipped.

23. Install Bushings (15-11148) and Sleeves (20-830918) into both ends of Lateral Compression Struts (20-51800-4). Attach Lateral Compression Strut to the strut mount bracket located on Rear Crossmember using hardware provided (Illustration 14). Do not tighten at this time.

24. Attach Strut Mount Bracket (20-51099-22) to opposite end of Compression Strut. Rotate Compression Strut upward until bracket contacts bottom of the trans crossmember. Use Bracket as a guide to mark the mounting hole locations. Drill 1/2" hole through crossmember at each of the marked locations. Now drill just the bottom side of the 1/2" holes to 3/4". The larger bottom holes allow Sleeve (20-832868) to be inserted. Install this assembly using the 1/2" hardware provided. Torque the nuts to 65 ft. lbs.

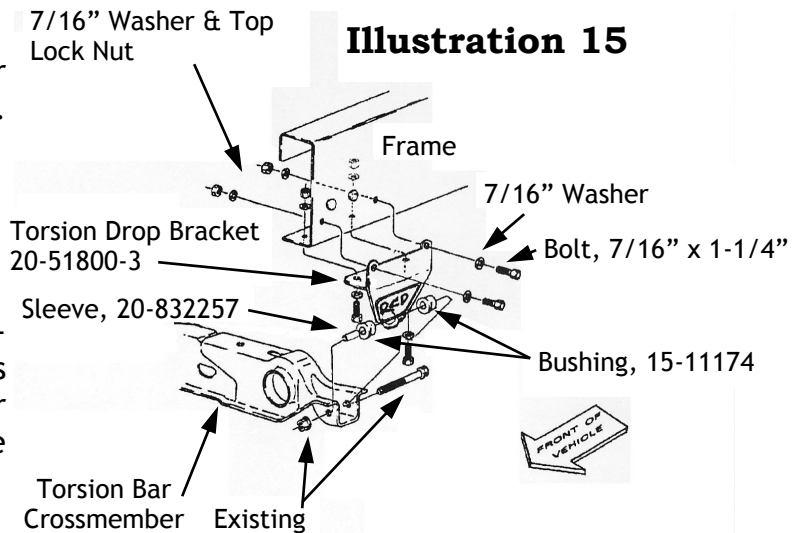
25. If vehicle is equipped with a trans skid plate, notch the skid plate for clearance of the strut mount bracket. Reinstall skid plate using existing hardware.

**CAUTION:** Check backside of frame rail before drilling. Move any components (gas lines, brake lines, etc.) that might get damaged.

26. Position Torsion Bar Drop Brackets (20-51800-3) against the frame rail centered directly below the old torsion bar crossmember bracket. Using the bracket as a guide, mark and center punch mounting hole locations. Drill 7/16" diameter hole at each of the marked locations. (Illustration 15)

27. Load torsion bars into their respective lower control arms. Slide torsion bars forward.

28. Install Bushing (15-11174) and Sleeves (20-832257) into Torsion Bar Drop Brackets. Attach Torsion Bar Drop Brackets to torsion bar crossmember using the existing hardware previously removed.



29. Install the torsion bar crossmember assembly into previously drilled holes. Tighten using 7/16" hardware provided and torque nuts to 60 ft. lbs.

30. Slide torsion bar rearward through the torsion bar crossmember while holding adjustment arm in the proper position. Verify that reference marks on adjustment arm and torsion bar matches.

31. Install the Torsion Bar Unloading Tool (J 36202). Be very careful while increasing tension on the torsion bar.

32. Reinstall retainer plate and adjusting bolt. Thread adjusting bolt until exposed length matches the measured length before removal. This way, they can be installed in the stock position.



33. Repeat steps 30 through 32 on opposite side.

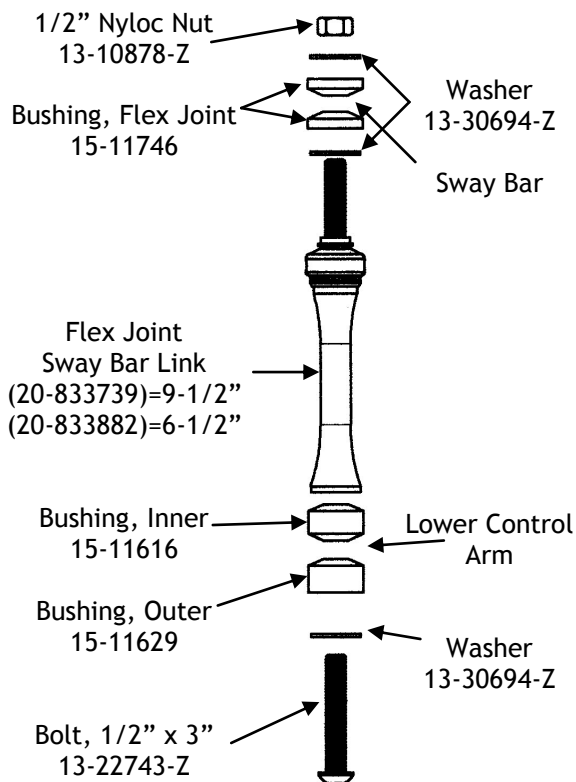
34. Reinstall existing sway bar to lower control arm using Sway Bar Extension (20-833739/20-833882) and hardware provided (Illustration 16).

When installing the RCD Flex Joint sway bar links, hole in lower control arm **MUST** be drilled out to a minimum of 5/8" and a maximum of 3/4", which is recommended, and edges ground smooth. Failure to do so may result in shearing off of attaching bolt.

35. Front wheels and lower vehicle to the ground. Torque lug nuts.

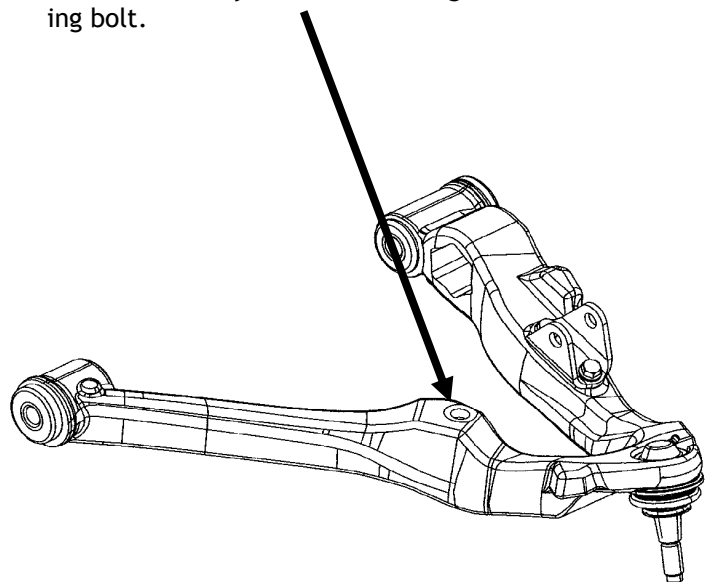
36. When vehicle is at ride height, torque lower control arm to front and rear crossmember's pivot nuts to 121 ft. lbs.

**Illustration 16**



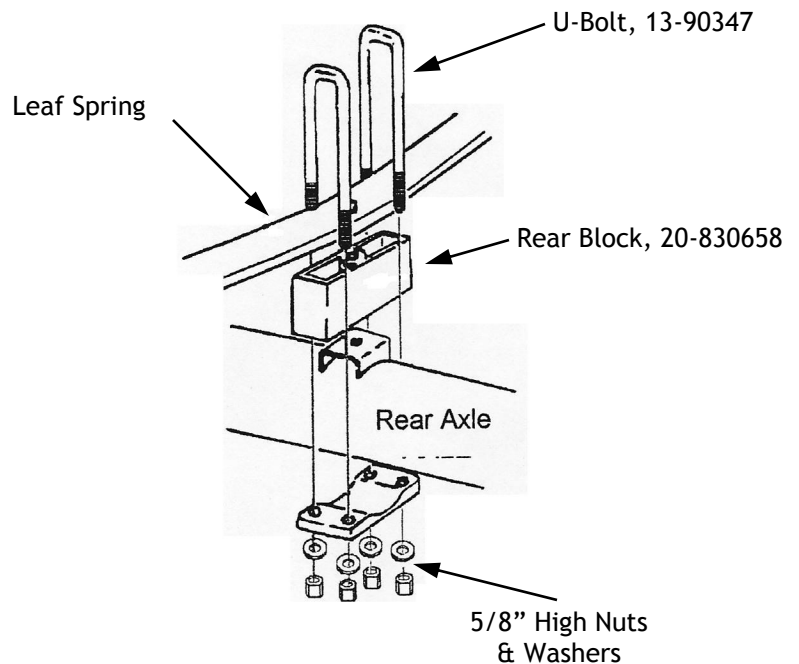
**IMPORTANT NOTICE TO INSTALLER**

When installing the RCD Flex Joint sway bar links, this hole **MUST** be drilled out to a minimum of 5/8" and a maximum of 3/4", which is recommended, and edges ground smooth. Failure to do so may result in shearing off of attaching bolt.



## **REAR INSTALLATION**

1. Raise the vehicle. If working without a shop hoist, support vehicle with suitable safety stands. To do this, put vehicle in gear, block front wheels, both in front and behind tires, then disengage emergency brake. Place floor jack underneath rear axle and raise vehicle. Place suitable safety stands under frame to support vehicle and lower vehicle onto safety stands. Remove rear tire/wheel assemblies.
2. With the floor jack, raise the rear axle enough to relieve tension on the shock absorbers and remove shocks.
3. Remove rear U-bolts attaching rear axle to driver side leaf spring (**Illustration 17**). Carefully lower rear axle.
4. **CAUTION:** Do not allow axle to hang by any hoses or cables.
5. Insert new riser Block (20-830658) on axle pad. Make sure the pin in block indexes into hole of the axle housing spring pad. The short end of block faces toward the front of vehicle. Carefully raise rear axle until block makes contact with leaf spring. Make sure center bolt is aligned with hole in block.
6. Remount axle to spring using new U-bolts, washers and nuts and existing spring plates. Torque U-bolt nuts to 85-100 ft. lbs.
7. Repeat steps 3 through 6 on passenger side.
8. Remove existing rear Bumpstop from bottom of the frame rail.
9. Install rear Bumpstop assembly (20-51292-15) to frame rail at the original Bumpstop location using hardware provided. Grind knob off rubber Bumpstop before installing.



**Illustration 17**

10. Repeat steps 8 and 9 on opposite side.
11. Install new longer Shock Absorbers (BE5-6134). Use existing hardware to attach shock to lower axle mount. Torque nuts to 52 ft. lbs. Attach shock to upper frame mount and torque to 13 ft lbs.
12. If needed install rear brakeline extension (20-51292-14).
13. Install rear wheels and lower the vehicle.
14. On some trucks a Drive Shaft Support Drop Down (20-51800-5) may be needed for the rear drive shaft.
15. Check all fasteners are secured on both front and rear of vehicle. Turn steering to full left, then full right, and check for proper clearance.

### **SOME FINAL NOTES**

- ❑ After installation is complete, double check that all nuts and bolts are tight. Refer to the torque specifications on last page.
- ❑ If new tires were installed that are more than 10% taller than original tires, the speedometer must be recalibrated for the Rear Wheel Anti-Lock Brake System to function properly. Contact an Authorized GM dealer for details on recalibration.
- ❑ With vehicle on the floor, cycle steering lock to lock and inspect steering, suspension and driveline systems for proper operation, tightness and adequate clearance. Recheck brake/hose fitting for leaks. Be sure all hoses are long enough.
- ❑ Have headlights readjusted to proper setting.
- ❑ Have front end aligned to factory specifications. Be sure vehicle is at desired ride height prior to realignment.

## **TORQUE SPECIFICATIONS** (Grade 8 & Class 10.9)

5/16" NUTS	20ft. lbs.	M6	9 ft. lbs.
3/8" NUTS	35 ft. lbs.	M8	23 ft. lbs.
7/16" NUTS	60 ft. lbs.	M10	45 ft. lbs.
1/2" NUTS	90 ft. lbs.	M12	75 ft. lbs.
9/16" NUTS	160 ft. lbs.	M14	120 ft. lbs.
5/8" NUTS	175 ft. lbs.	M16	165 ft. lbs.

## **EXISTING HARDWARE TORQUE SPECIFICATIONS**

DIFFERENTIAL SUPPORT BOLT 10mm	45 FT. LBS.
TORSION BAR CROSSMEMBER NUT	46 FT. LBS.
DRIVE AXLE BOLT	58 FT. LBS.
UPPER BALL JOINT NUT	37 FT. LBS.
LOWER BALL JOINT NUT	74 FT. LBS.
LOWER CONTROL ARM NUT	101 FT. LBS.
HUB & BEARING ASSEMBLY BOLT	133 FT. LBS.
FRONT AXLE SHAFT NUT	165 FT. LBS.
BRAKE CALIPER TO F. KNUCKLE BOLT	129 FT. LBS.