



2009-2013 FORD F150

4/30/14

FRONT BUMPER

P/N: 10-02009

& 10-02009-W

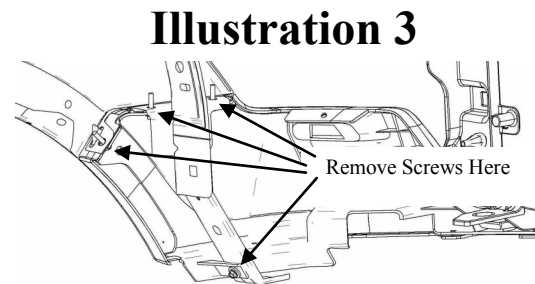
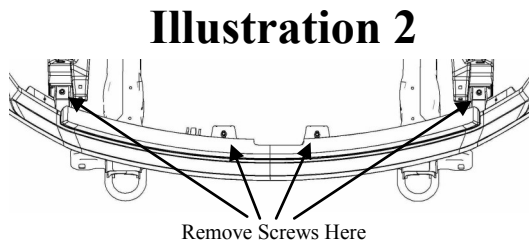
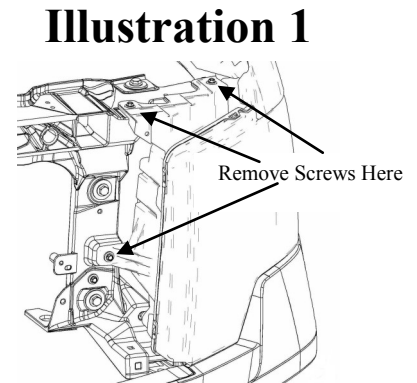
INSTALLATION INSTRUCTIONS

PART LIST

ITEM	DESCRIPTION	QTY.	ILLUS.
Box 1	10-02009		
20-02009-1	GMC 2500HD Front Bumper	1	5
20-72527	Hardware Pack, (Mounting)		
13-20031-Z	Bolt, 1/2" x 1-1/4"	4	5
13-30447-Z	Flat Washer, 1/2"	8	5
13-10038-Z	Nut, 1/2" Nyloc	4	5
13-20536-Z	Bolt, 5/16" x 1"	2	
13-30187-Z	Flat Washer, 5/16"	4	
13-10155-Z	Nut, 5/16" Nyloc	2	
Box 2	Winch Mount		
20-02209	F150 Winch Mount	1	4, 5

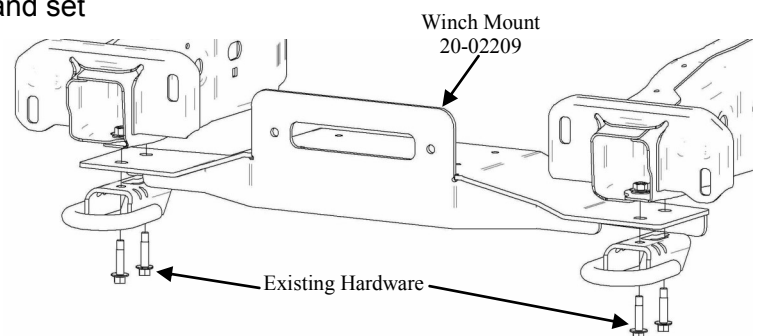
Front Bumper Installation Instructions

1. Remove front bumper by first removing the three screws attaching headlight on each side. Remove headlight by pulling straight forward to get the clips to release. Disconnect wiring and set headlights aside. (**Illustration 1**)
2. Remove valance by removing four screws across front (**Illustration 2**), and removing the four screws on each end. (**Illustration 3**).



3. Disconnect wiring going to fog lights.
4. Disconnect rubber flap from backside of bumper.
5. Disconnect hood release bracket from bumper.
6. Remove the two nuts attaching bumper to frame on either side. Remove Bumper.
7. Remove hardware attaching tow hooks and set aside.
8. Position Winch Mount (20-02209) against bottom of frame rails and attach using tow hook hardware previously removed. Torque bolts to 75lb.ft. (**Illustration 4**)

Illustration 4



9. If using a winch install it at this time.
10. Install Bumper (20-02009-1) to Frame using 1/2" hardware provided. Snug bolts only. (**Illustration 5**)
11. Attach hood release bracket to new bumper using 5/16" hardware provided.
12. Re-attach valance to truck.
13. Align Bumper to truck and tighten all hardware previously left loose. Torque 1/2" bolts to 65lb.ft.

14. Re-install headlights.

15. Trim inner fender to fit inside new Bumper.

Illustration 5

