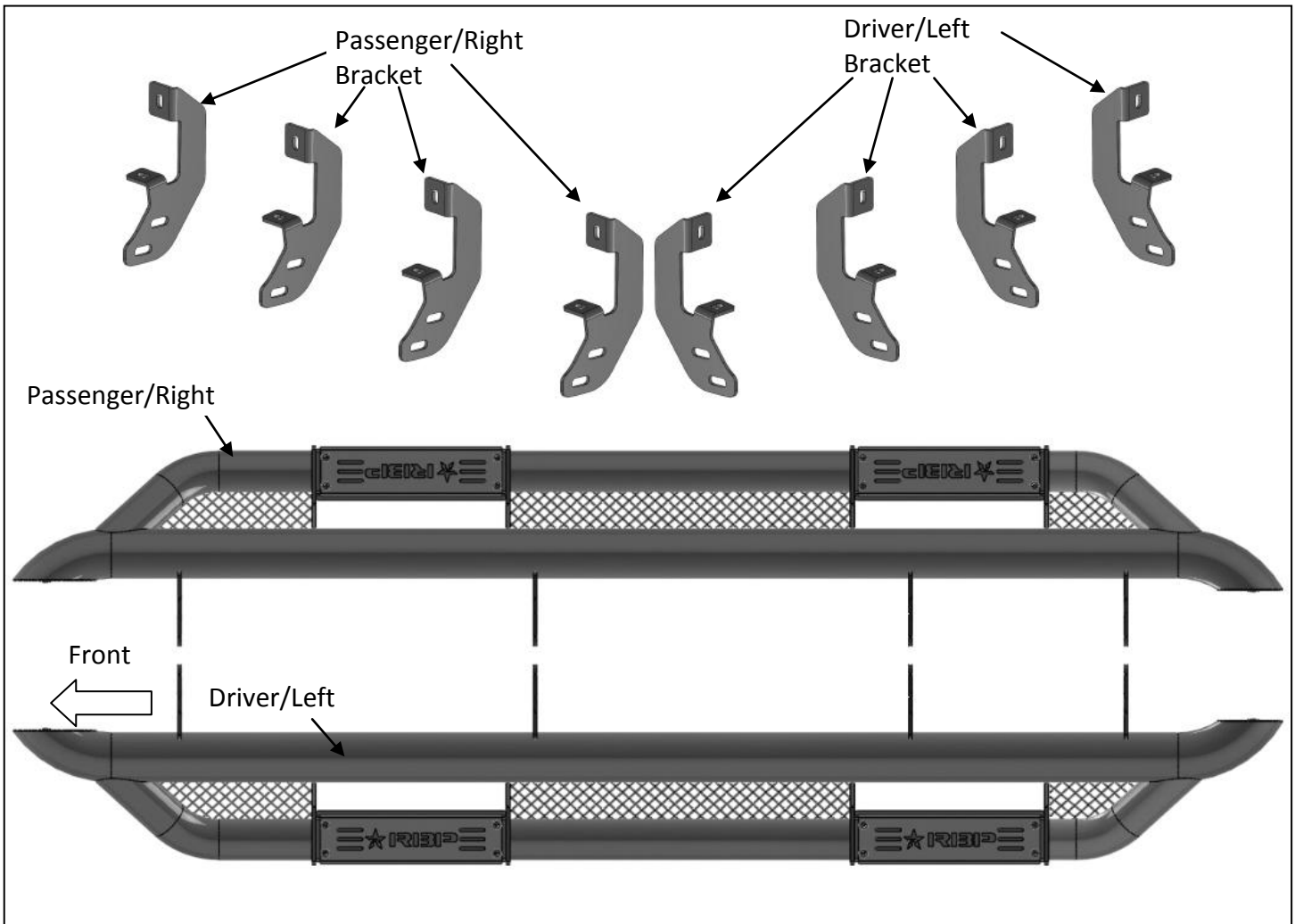




2019 CHEVY SILVERADO 1500 DOUBLE CAB RX3



HARDWARE INCLUDED

RECOMMENDED TOOLS

HARDWARE INCLUDED			RECOMMENDED TOOLS	
1	Driver/Left Side RX3 Step	16	8mm Lock Washers	13mm Socket or Wrench
1	Passenger/Right Side RX3 Step	16	8mm x 24mm x 2mm Flat Washers	16mm Socket or Wrench
4	Driver/Left side Mounting Brackets	16	10-1.50mm x 35mm Hex Bolts	17mm Socket or Wrench
4	Passenger/Right side Mounting Brackets	32	10mm x 27mm x 3 Flat Washers	3/8 Torque Wrench
16	8-1.25mm x 30mm Hex Bolt	16	10mm x 27mm x 3 mm Nylon Lock Nuts	3/8 Ratchet w 3" & 6" Extensions

DRIVER-LEFT SIDE INSTALLATION:

STEP 1 – Move vehicle to a level location. Remove any old steps and hardware.

STEP 2 – Start the installation under the Driver/Left side of the truck. Locate the threaded mounting holes along the bottom edge of the body, (**Figure 1**). **IMPORTANT:** Installation will use all mounting locations.

STEP 3 – Next, locate each upper threaded mounting hole in the side of the inner body panel directly above the lower mounting hole, (**Figure 1, 2, 6–8**). Starting at the front of the Driver/Left side, bolt the mounting bracket to the threaded mounting holes with (2) 8mm Hex Bolts, (2) 8mm Lock Washers and (2) 8mm Flat Washers for each mounting bracket, (**Figures 3–5**). Do not tighten hardware at this time. Repeat this step to install the remaining brackets.

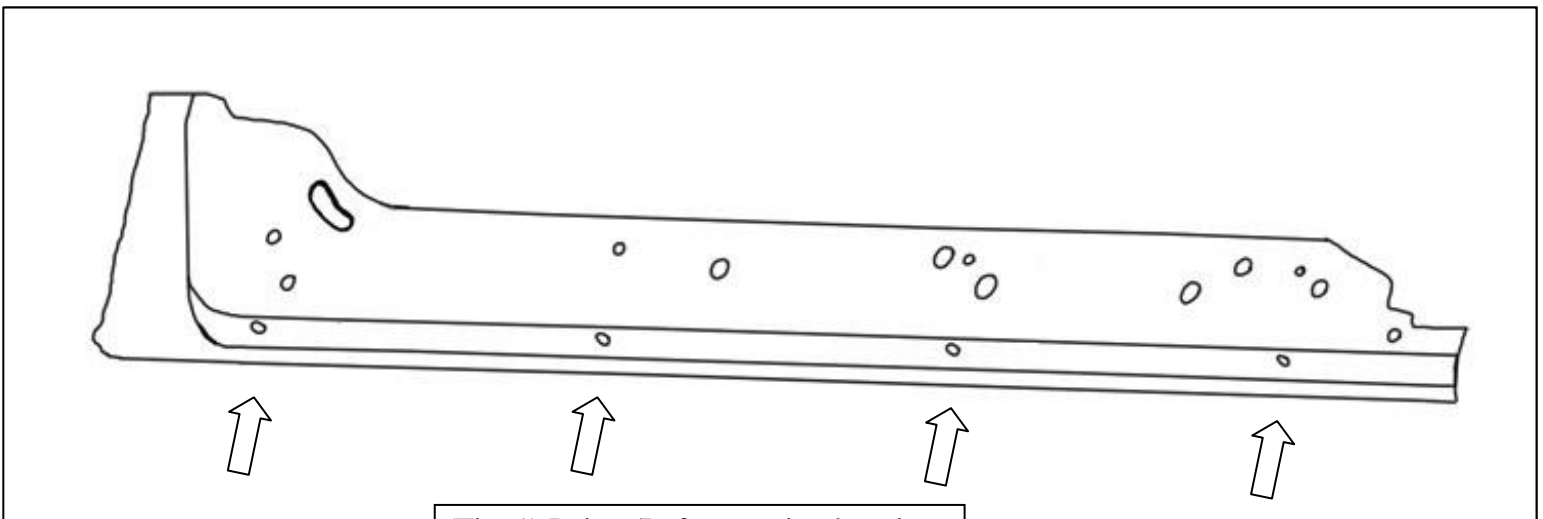
STEP 4 – Select the Driver/Left Side RX3 Step. With assistance, hold the Side Step up to the bottom of the body panel. Attach the side step to the front of the Mounting Brackets with (8) 10mm Hex Bolts, (16) 10mm Flat Washers (8), 10mm Lock Washers and (8) 10mm Hex Nuts (**Figure 9**). Do not fully tighten hardware at this time.

STEP 5 – Once the Side Step is fully installed, level and adjust the Side Step. Fully tighten hardware. Torque the 8mm down to 30ft-lbs.

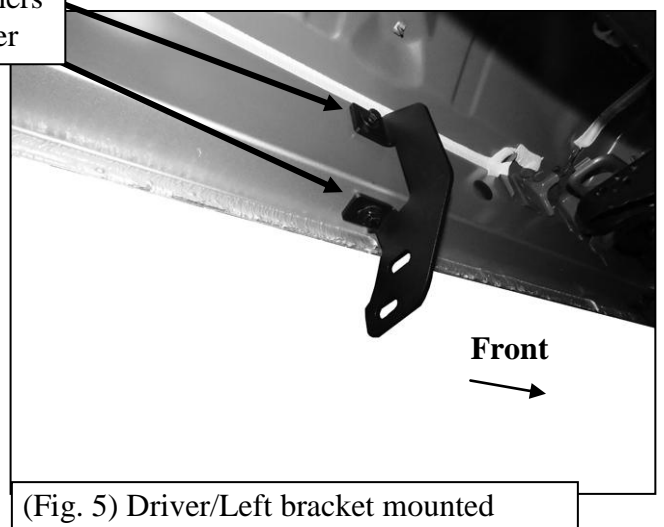
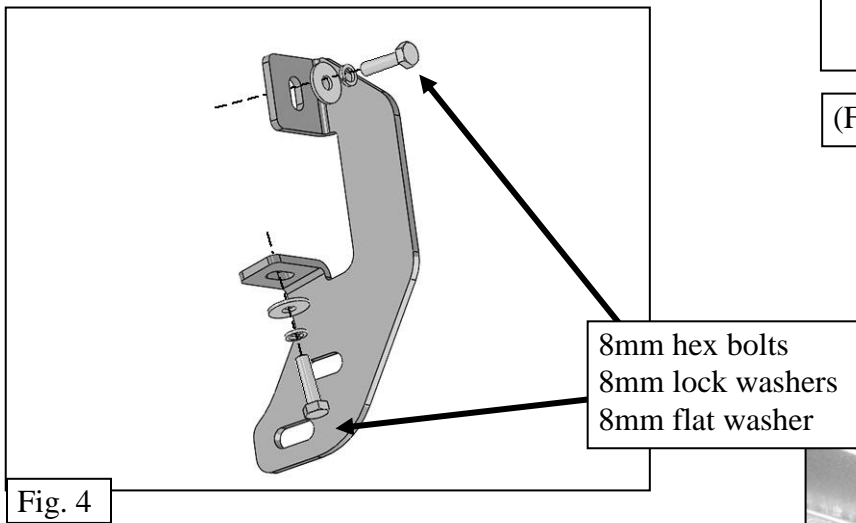
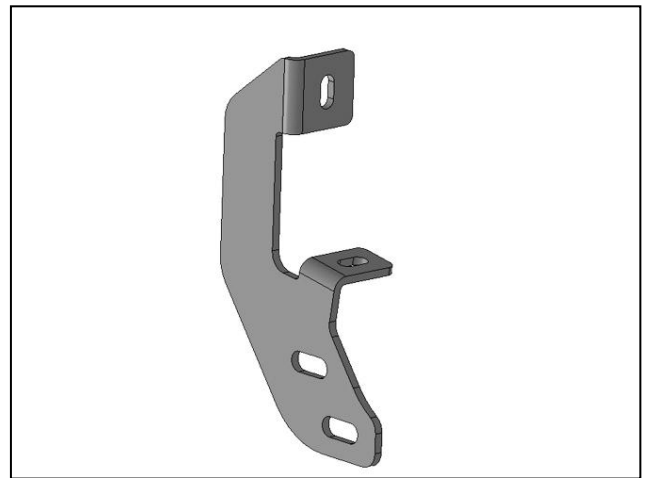
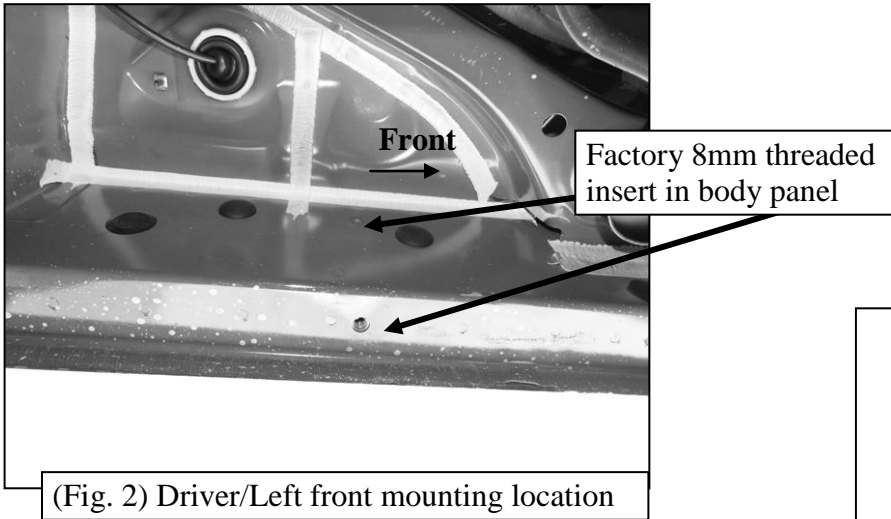
PASSENGER-RIGHT SIDE INSTALLATION:

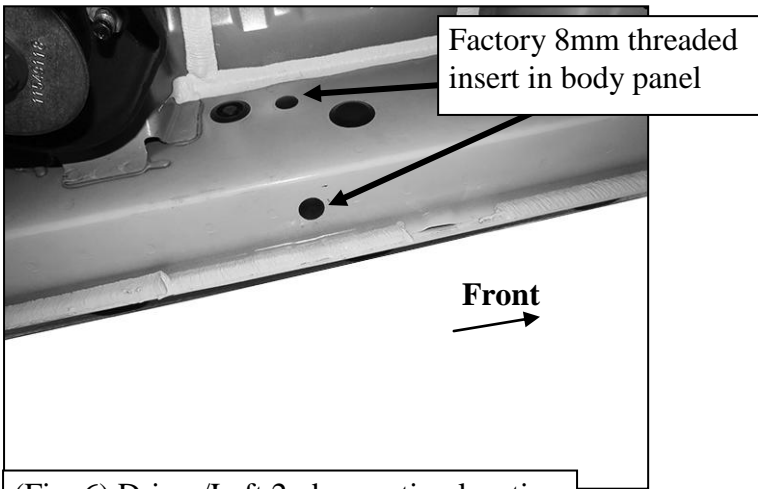
STEP 6 – Move to the Passenger/Right Side of the vehicle. Repeat steps 2–5 to complete installation.

Periodically check and re-torque all fasters to specifications.

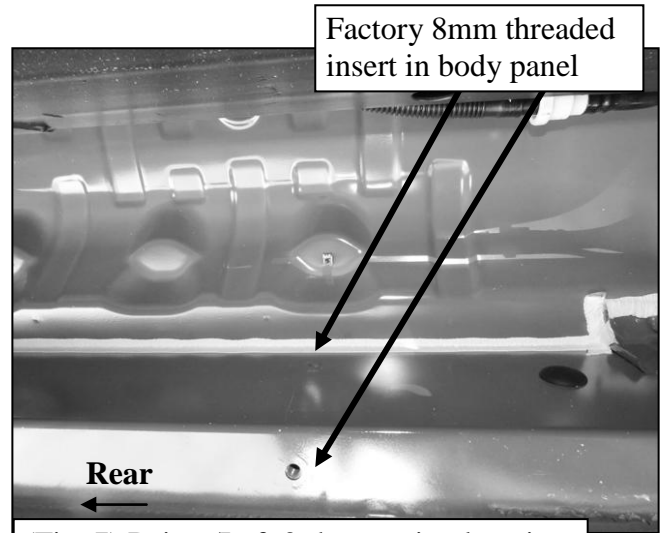


(Fig. 1) Driver/Left mounting locations

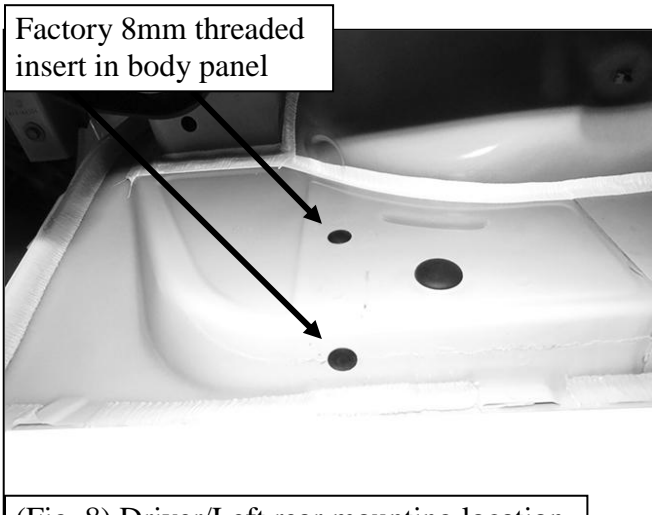




(Fig. 6) Driver/Left 2nd mounting location



(Fig. 7) Driver/Left 3rd mounting location



(Fig. 8) Driver/Left rear mounting location

