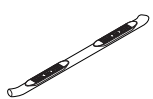
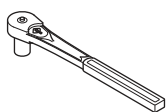
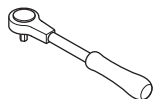


1607-0195, 1607-0195B

5" OVAL BAR CURVED*Raptor*
Series**Components:**Driver Side
Step Bar -
Qty 1Rubber
Gasket
Qty 4Passenger Side
Step Bar -
Qty 1Mount Bracket -
Qty 4**Hardware:**M8 x 25MM
Hex Head Bolt
Qty 4M8 Lock
Washer
Qty 4M10 Lock
Washers
Qty 8M8 Flange Nut
Qty 4M10 Flat
Washers
Qty 8M8 Flat
Washer
Qty 4M10 x 30 mm
Button Head
Bolts
Qty 8**Tools Required:**

RATCHET

TORQUE
WRENCH

14MM SOCKET



6MM HEX BIT

Torque Specifications:

For Rocker Panel Mount Installations

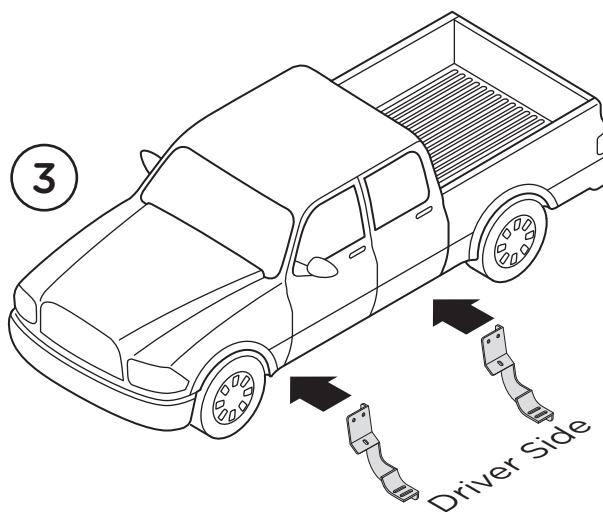
M8 through M12 bolts and nuts are set to 15-20 ft lbs.

Note: When installing the brackets and bars, all hardware must be left loose until all the items are attached.

1. Remove all contents from the package and check stainless steel tubes for any damage. Also, verify that all components and hardware listed above are included before you begin installation.

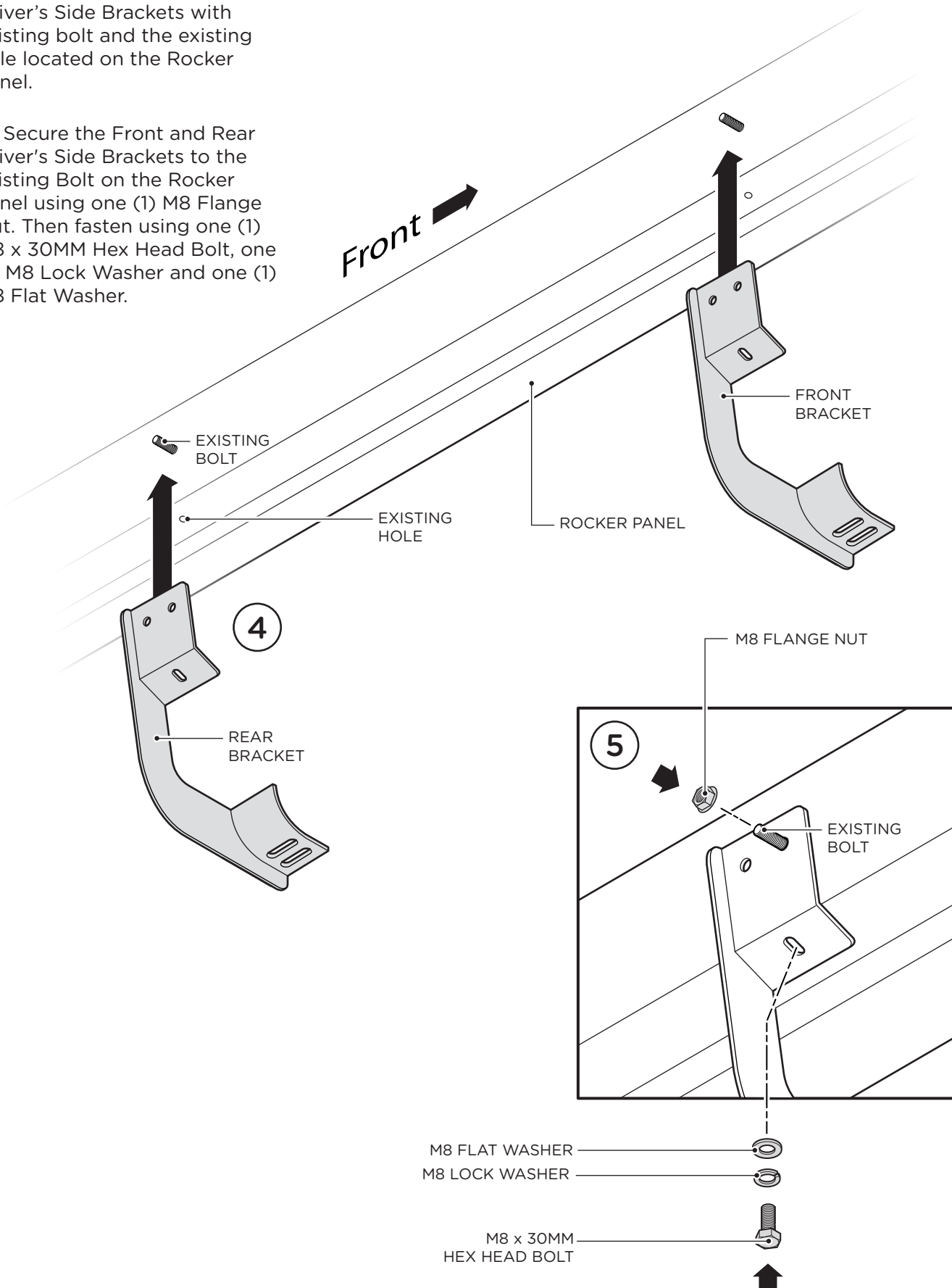
2. Read installation manual and installation drawing completely. Understand all brackets and bolts before installation.

3. Begin installation on the driver's side. Align **Brackets** as shown.



4. Align the Front and Rear Driver's Side Brackets with existing bolt and the existing hole located on the Rocker Panel.

5. Secure the Front and Rear Driver's Side Brackets to the existing Bolt on the Rocker Panel using one (1) M8 Flange Nut. Then fasten using one (1) M8 x 30MM Hex Head Bolt, one (1) M8 Lock Washer and one (1) M8 Flat Washer.



6. Place the Rubber Gaskets onto the Brackets. Then place the Step Bar onto the Brackets. Each Step Bar is marked Driver and Passenger.

7. Secure the Step Bar to each Bracket using two (2) M10 x 30MM Button Head Bolts, two (2) M10 Lock Washers and two (2) M10 Flat Washers per bracket.

Tighten until the split lock washer is flat against bracket and snug. **DO NOT** over tighten and strip the threaded insert in the tube.

Repeat these steps for passenger side installation. When all hardware is in place, everything must be tightened. See Page 1 for Torque Specifications.

