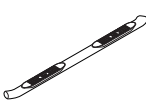

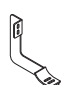








4" OVAL BAR CURVED



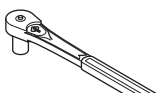
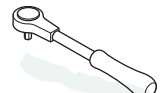



Components:

-  Driver [Side Step Bar](#)
Qty 1
-  Passenger Side Step Bar
Qty 1
-  Mount Bracket -
Qty 4
-  Rubber Gasket -
Qty 4

Hardware:

-  M10 x 30mm
Hex Head Bolt
Qty 8
-  M10 Lock
Washers
Qty 8
-  M8
Flange Nut
Qty 8
-  M10 x 30 mm
Button Head
Bolts
Qty 8
-  M10 Flat
Washer
Qty 8

Tools Required:

-  RATCHET
-  TORQUE
WRENCH
-  17MM SOCKET
-  14MM SOCKET
-  6MM HEX BIT

Torque Specifications:

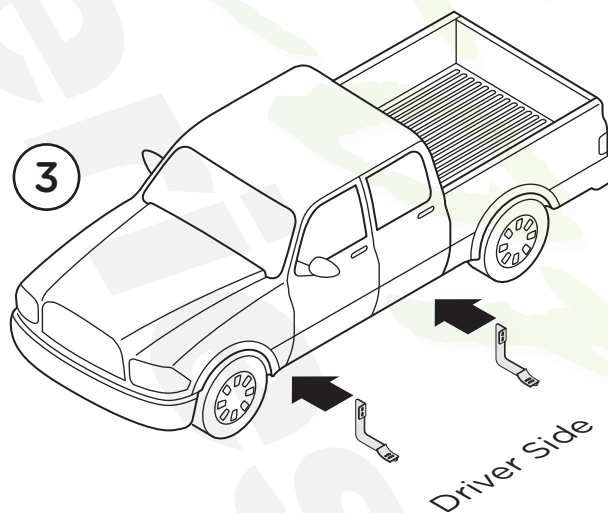
For Rocker Panel Mount Installations
M8 through M12 bolts and nuts are set to 15-20 ft lbs.

Note: When installing the brackets and bars, all hardware must be left loose until all the items are attached.

1. Remove all contents from the package and check stainless steel tubes for any damage. Also, verify that all components and hardware listed above are included before you begin installation.

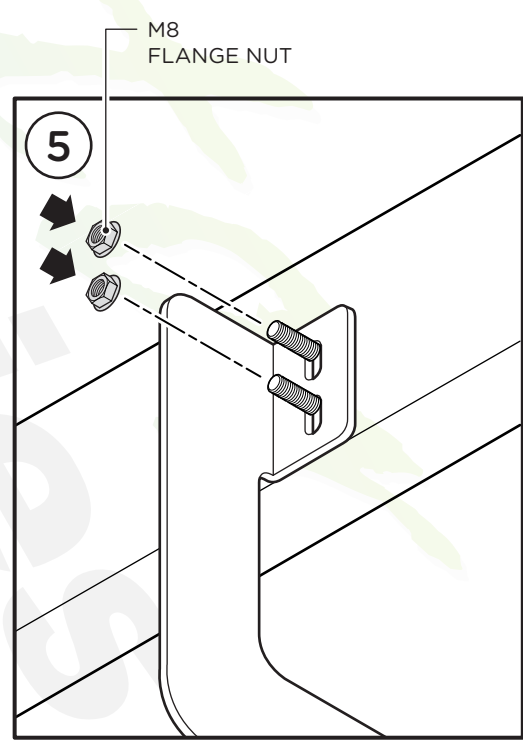
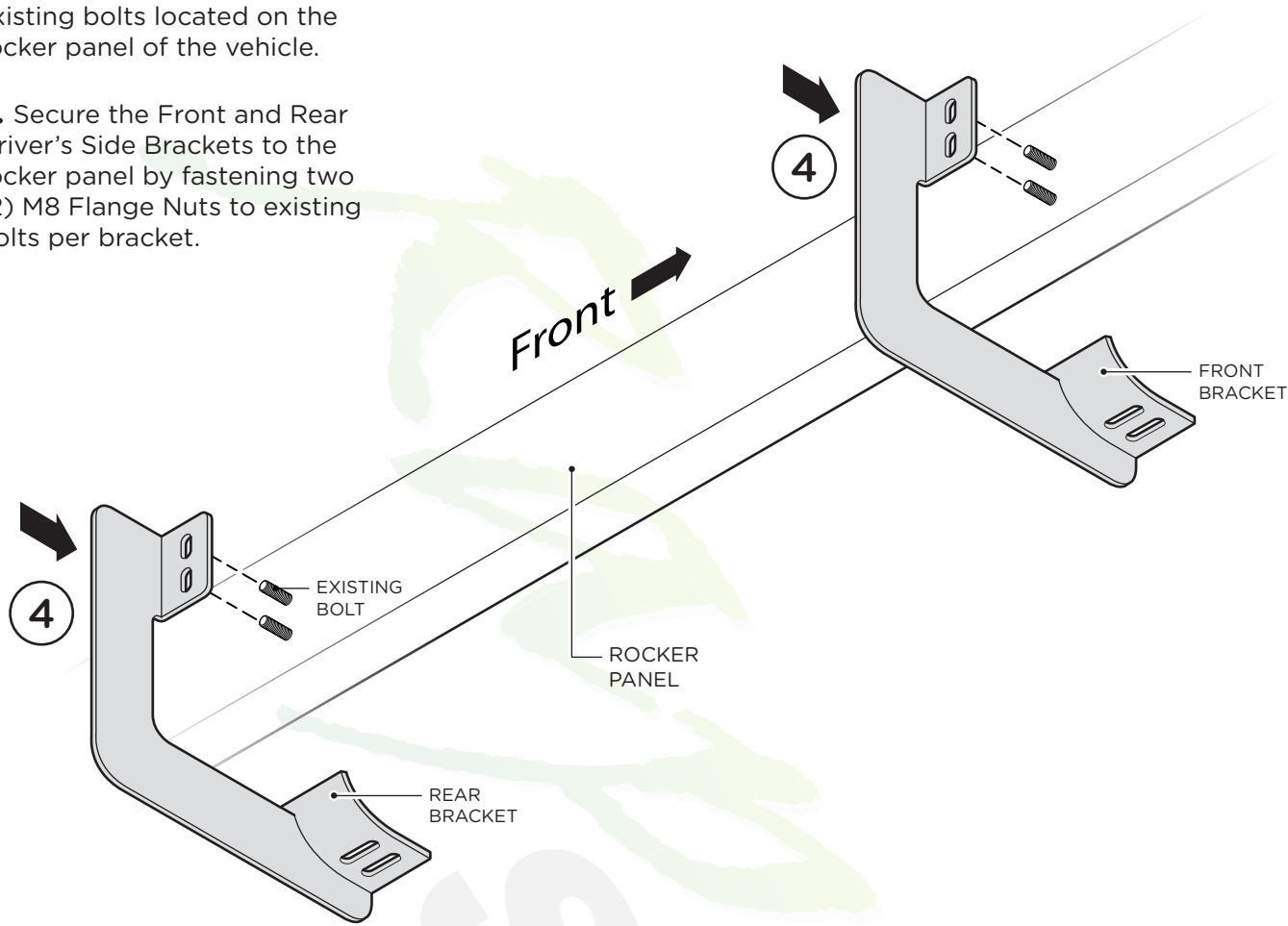
2. Read installation manual and installation drawing completely. Understand all brackets and bolts before installation.

3. Begin installation on the driver's side. Align **Brackets** as shown.



4. Align the Front and Rear Driver's Side Brackets with existing bolts located on the rocker panel of the vehicle.

5. Secure the Front and Rear Driver's Side Brackets to the rocker panel by fastening two (2) M8 Flange Nuts to existing bolts per bracket.



6. Place the Step Bar onto the Rubber Gaskets. Then, place the Step Bar onto the Brackets. Each Step Bar is marked Driver and Passenger.

7. Secure the Step Bar to the Bracket using two (2) M10 x 30MM Head Bolts, two (2) M10 Lock Washers and two (2) M10 Flat Washers per bracket.

Tighten until the split lock washer is flat against bracket and snug. DO NOT over tighten and strip the threaded insert in the tube.

Repeat these steps for passenger side installation. When all hardware is in place, everything must be tightened. See Page 1 for Torque Specifications.

