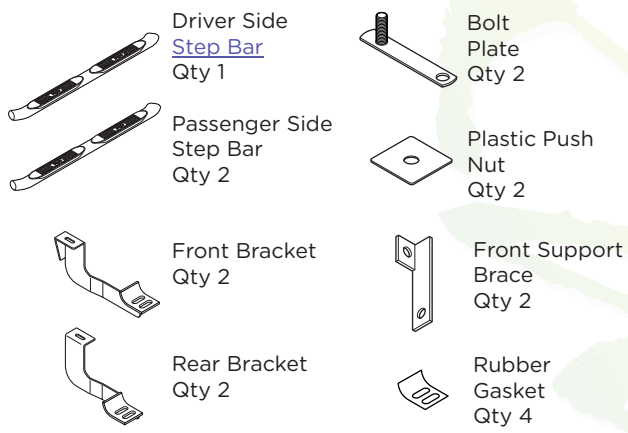


1502-0380, 1502-0380B

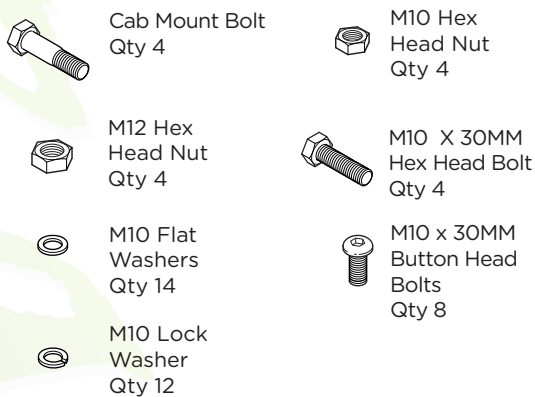
# 4" OVAL BAR CURVED



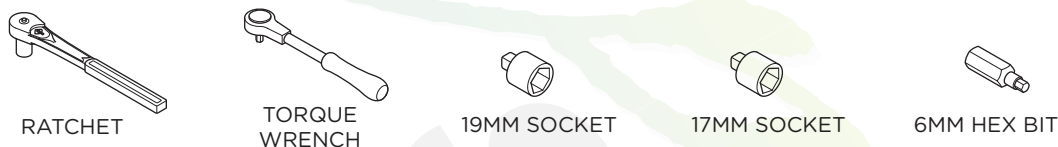
## Components:



## Hardware:



## Tools Required:

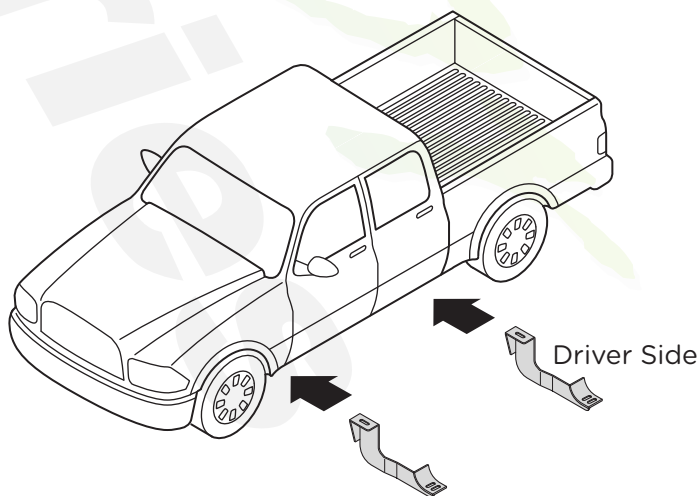


## Torque Specifications:

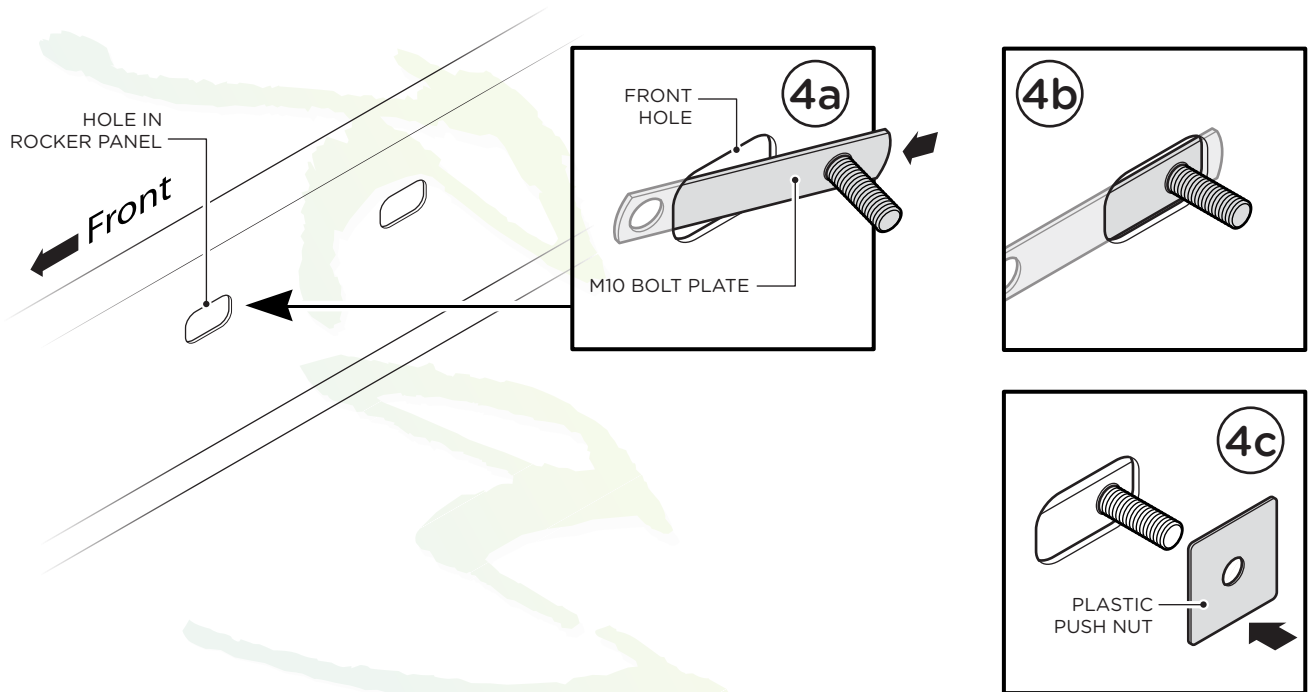
For Cab Mount Installations  
 Cab mount bolts are torqued to 70 Ft Lbs. All other M8 through M12 sized bolts/nuts are set to 15-20 ft lbs.

**Note: When installing the brackets and bars, all hardware must be left loose until all the items are attached.**

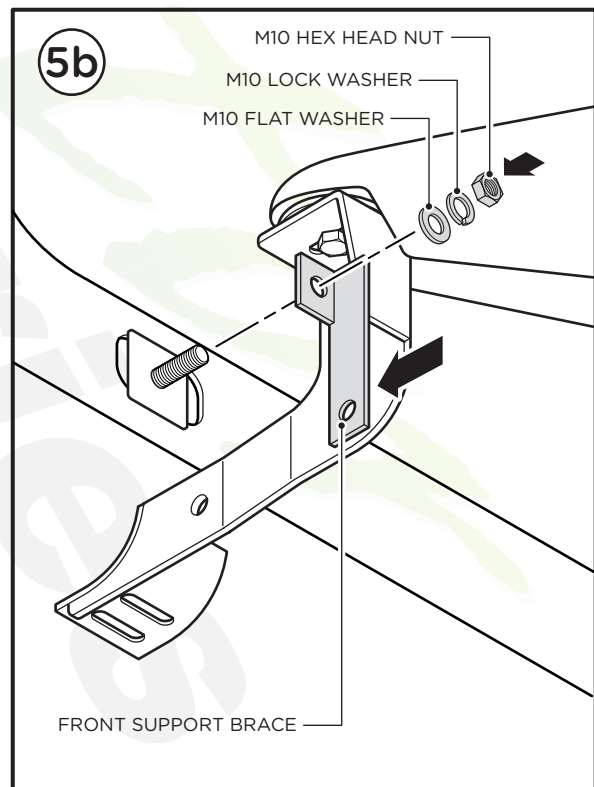
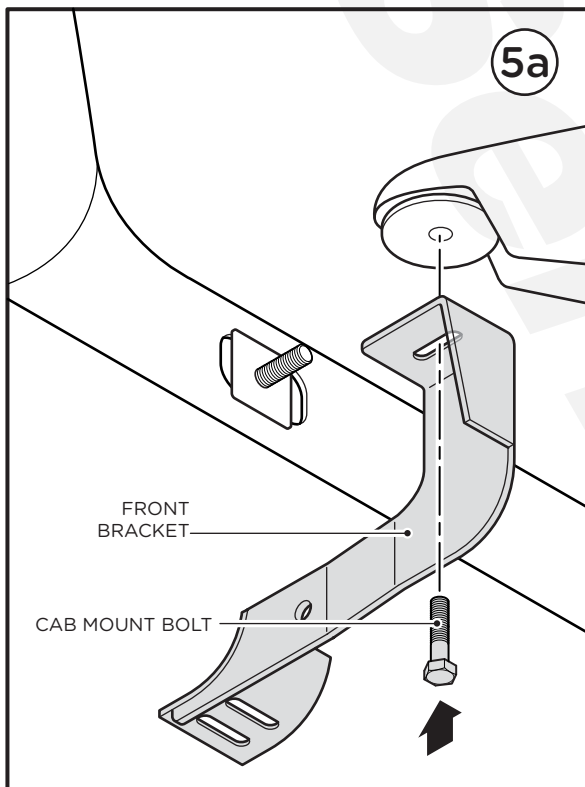
- 1.** Remove all contents from the package and check stainless steel tubes for any damage. Also, verify that all components and hardware listed above are included before you begin installation.
- 2.** Read installation manual and installation drawing completely. Understand all brackets and bolts before installation.
- 3.** Begin installation on the driver's side. Remove the body mount bolts from the front and rear body mounts underneath cab of truck and discard. (Keep the bushings). Align Front and Rear Bracket as shown.



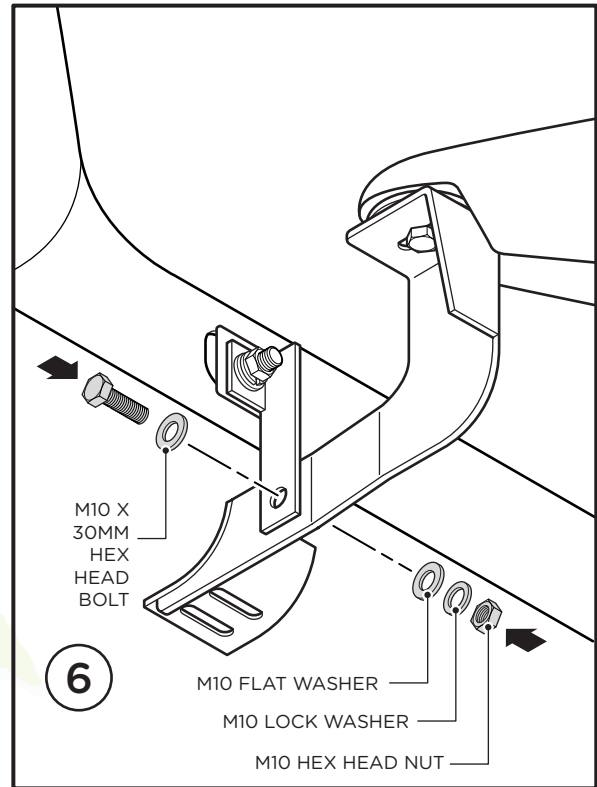
**4.** Insert one (1) M10 Bolt Plate into the hole on the Rocker Panel. Make sure the Plastic Push nut is on the stud of the Bolt Plate to hold it into place.



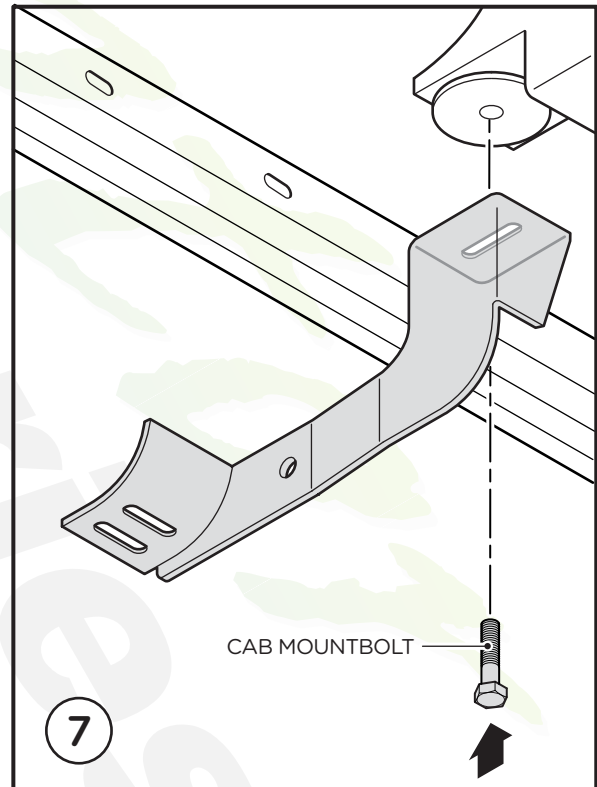
**5.** Attach the Front Mount Bracket to the underside of the vehicle using one (1) Cab Mount Bolt (5a). Position Support Brace as shown and secure to the threaded portion of the M10 Bolt Plate using one (1) M10 Lock Washer, one (1) M10 Flat Washer and one (1) M10 Hex Head Nut (5b).



**6.** Fasten the Front Support Brace to the Front Bracket using one (1) M10 Lock Washer, two (2) M10 Flat Washers, one (1) M10 Hex Head Nut and one (1) M10 x 30MM Hex Head Bolt.



**7.** Attach the Rear Bracket to the underside of the vehicle using one (1) Cab Mount Bolt (6b).



**8.** Place the Step Bar and Rubber Gasket onto Brackets. Each Step Bar is marked Driver and Passenger.

**9.** Secure the Step Bar to each Bracket using two (2) M10 Hex Head Bolts and two (2) M10 Lock Washers and two (2) M10 Flat Head Washers per bracket.

Tighten until the split lock washer is flat against bracket and snug. **DO NOT** over tighten and strip the threaded insert in the tube.

Repeat these steps for passenger side installation. When all hardware is in place, everything must be tightened. See Page 1 for Torque Specifications.

