

RTS79TY/RTS83TY/RTW410TY

2005-2018 Toyota Tacoma

RTS79TY/RTS83TY/RTW410TY Installation Instructions

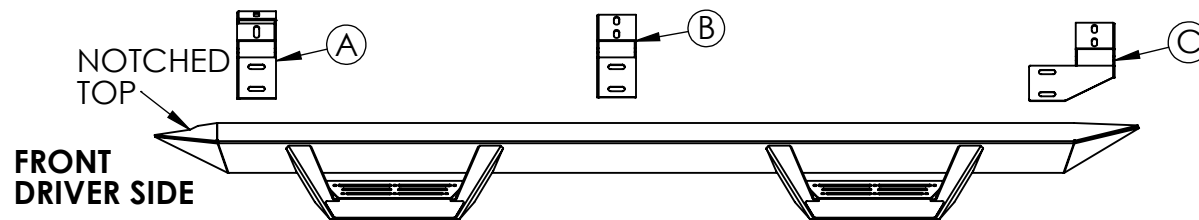
Raptor

Hardware Kit Includes Loose:

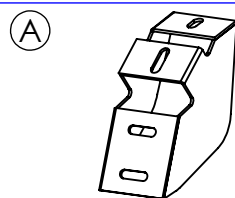
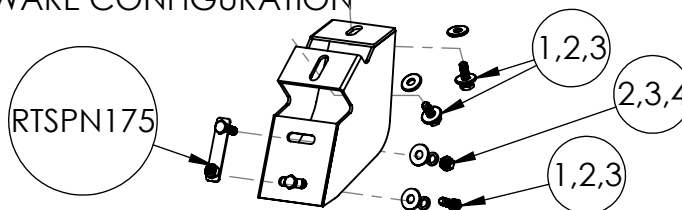
- (1) 18 – Hex head bolts (M8-1.25x20mm) Grade 8.8
- (2) 24 – Lock washers (M8) Grade 8.8
- (3) 24 – Flat washers (M8) Grade 8.8
- (4) 6 – Hex head nuts (M8-1.25) Grade 8.8
- (5) 6 – M8 Plastic Push Nuts

Components List:

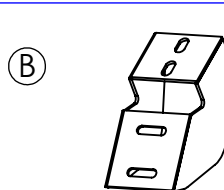
- (1) 2 – RT Steps (Driver & Passenger)
- (2) 2 – Front Mounting Brackets (RTSPN095)
- (3) 2 – Middle Mounting Brackets (RTSPN005)
- (4) 2 – Rear Mounting Brackets (Driv/Pass) (RTSPN027)
- (5) 6 – M8 RT Step T Bolt (RTSPN175)



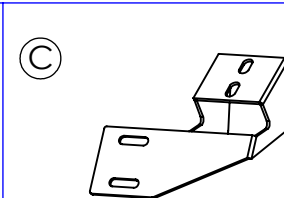
D - HARDWARE CONFIGURATION



RTSPN095



RTSPN005



RTSPN027 - DRIVER SIDE

DISCLAIMER: USE ONLY COMPONENTS AND HARDWARE SUPPLIED BY ICI. NO SUBSTITUTIONS.

LOOSE FIT ALL COMPONENTS. DO NOT TIGHTEN UNTIL ALL COMPONENTS ARE INSTALLED AND ADJUSTED.

Step by Step Installation Instructions

STEP 1: Read and understand instructions completely before beginning installation.

STEP 2: Remove all old steps and hardware from truck.

STEP 3: Locate the driver's side step (center of front foot step is 20 5/8" to front of bar AND front of bar notch on top). Each step uses 3 mounting brackets. The bracket closest to the front of the vehicle is shown in figure A, the middle bracket is shown in figure B and rear bracket in figure C.

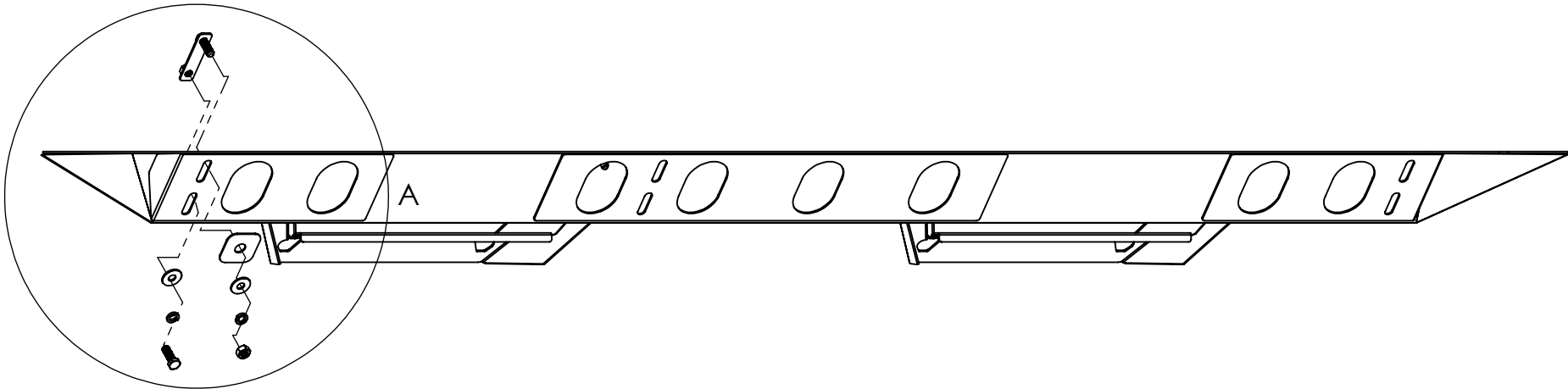
STEP 4: On the underside of the rocker panel there are 3 mounting locations down the length of the cab with 2 threaded holes per location. They may have plastic plugs covering them. Using provided M8x20mm hex head bolts, flat washers and lock washers, loose fit brackets to these locations. See figure D for hardware configuration.

STEP 5: Once all 3 brackets are loose fit to the truck, mount the RT Step to the brackets using provided RTSPN175 M8 T-bolts, 1 M8x20mm hex head bolt, 1 flat washer per bolt, lock washers and nuts. See figure D for hardware configuration.

STEP 7: Once RT Step is loose fit, tighten brackets to inside rocker. (**DO NOT USE IMPACT TOOLS**). Next, adjust bar up/down and front/back then tighten step to brackets. Repeat for passenger side.

RT STEPS & WHEEL TO WHEEL RT STEPS

ALL MAKES/MODELS OF RT STEPS & W2W RT STEPS (USING RTSPN175 T-BOLT)



RTSPN175 - M8 RT STEP MOUNTING T-BOLT

M8 FLAT WASHER

M8 LOCK WASHER

M8-1.25 x 20MM HEX HEAD BOLT

M8 PLASTIC PUSH NUT

M8 FLAT WASHER

M8 LOCK WASHER

M8-1.25 HEX HEAD NUT

