

Raptor

Series



Raptor Series are proud to offer a high quality product at the industries most competitive pricing!



CAUTION: Do not install damaged parts!!!

1704-0132, 1704-0132BT

6" OEM RUNNING BOARD

Raptor
Series

Components:



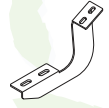
Front Bracket
Driver Side
Qty 1



Front Bracket
Passenger Side
Qty 1



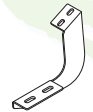
Center Bracket
Driver Side
Qty 1



Center Bracket
Passenger Side
Qty 1



Rear Bracket
Driver Side
Qty 1



Rear Bracket
Passenger Side
Qty 1

Hardware:



M8M x 30MM
Hex Head Bolt
Qty 12



M8 Hex Head Nuts
Qty 12

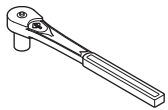


M8 Lock
Washer
Qty 24



M8 Flat
Washer
Qty 24

Tools Required:



RATCHET



TORQUE
WRENCH



13MM SOCKET

Torque Specifications:

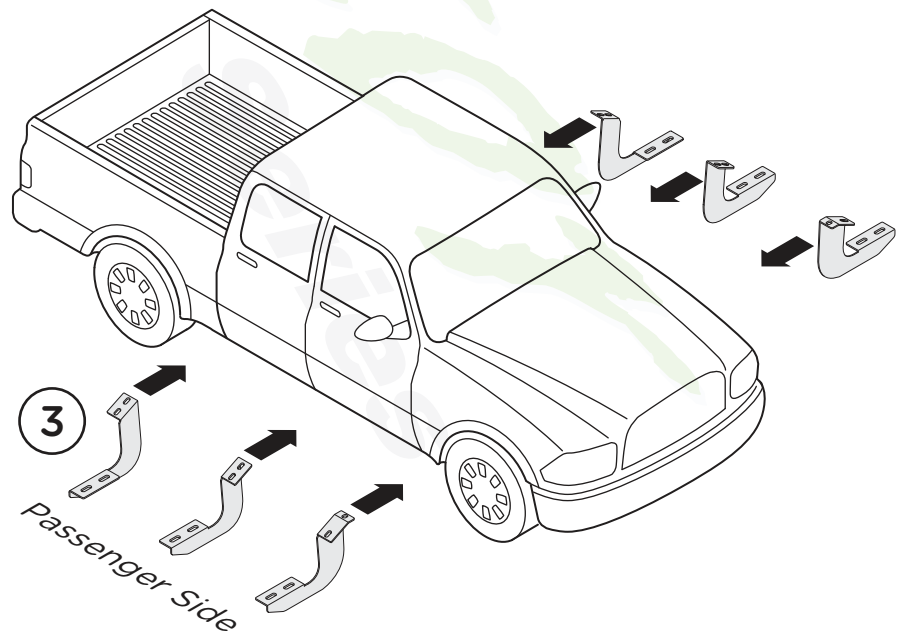
For Rocker Panel Mount Installations
M8 through M12 bolts and nuts are set to 15-20 ft lbs.

Note: When installing the brackets and boards all hardware must be left loose until all the items are attached.

1. Remove all contents from the package and check running boards for any damage. Also, verify that all components and hardware listed above are included before you begin installation.

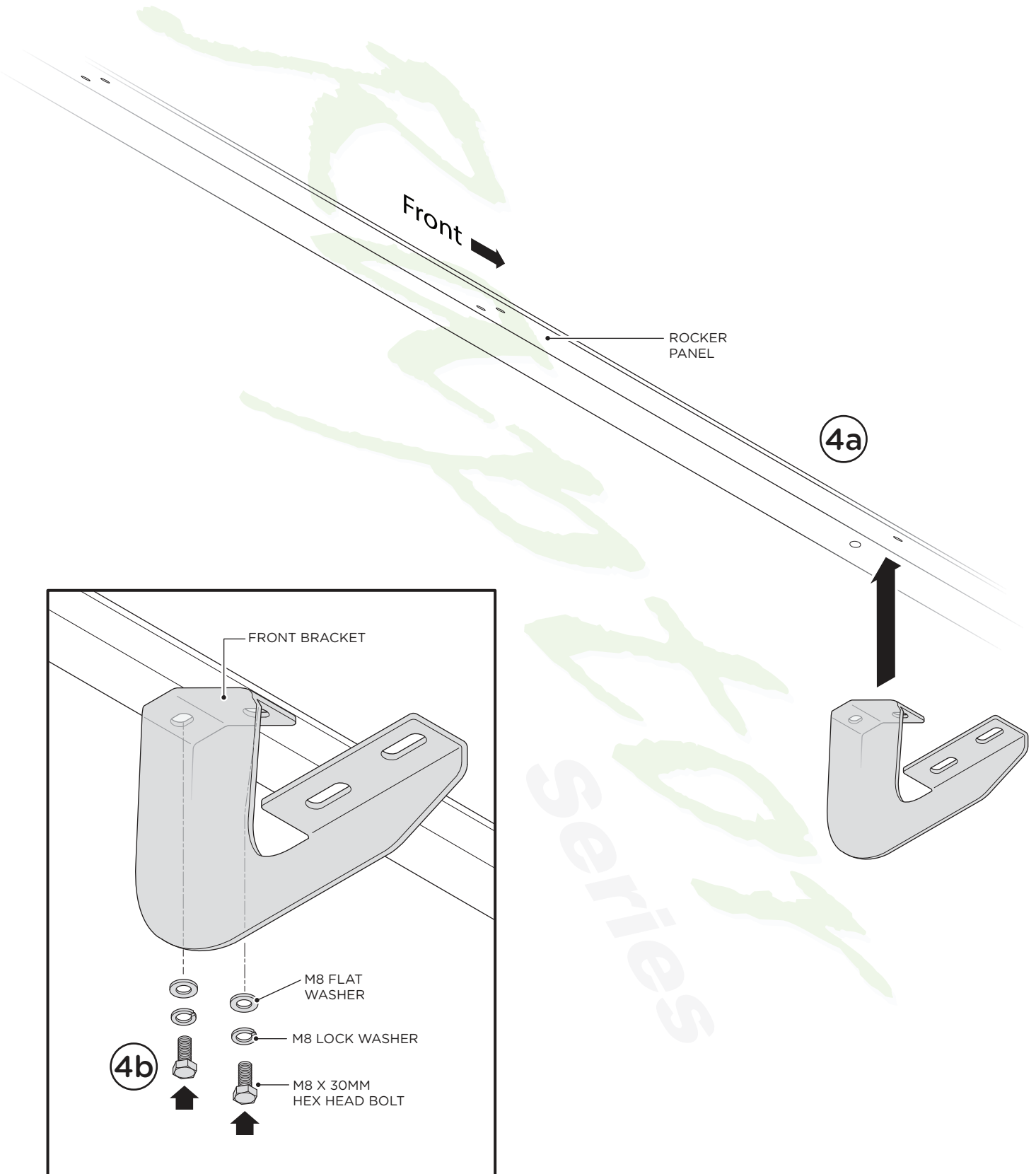
2. Read installation manual and installation drawing completely. Understand all brackets and bolts before installation.

3. Begin installation on the passenger side. Align **Brackets** as shown.



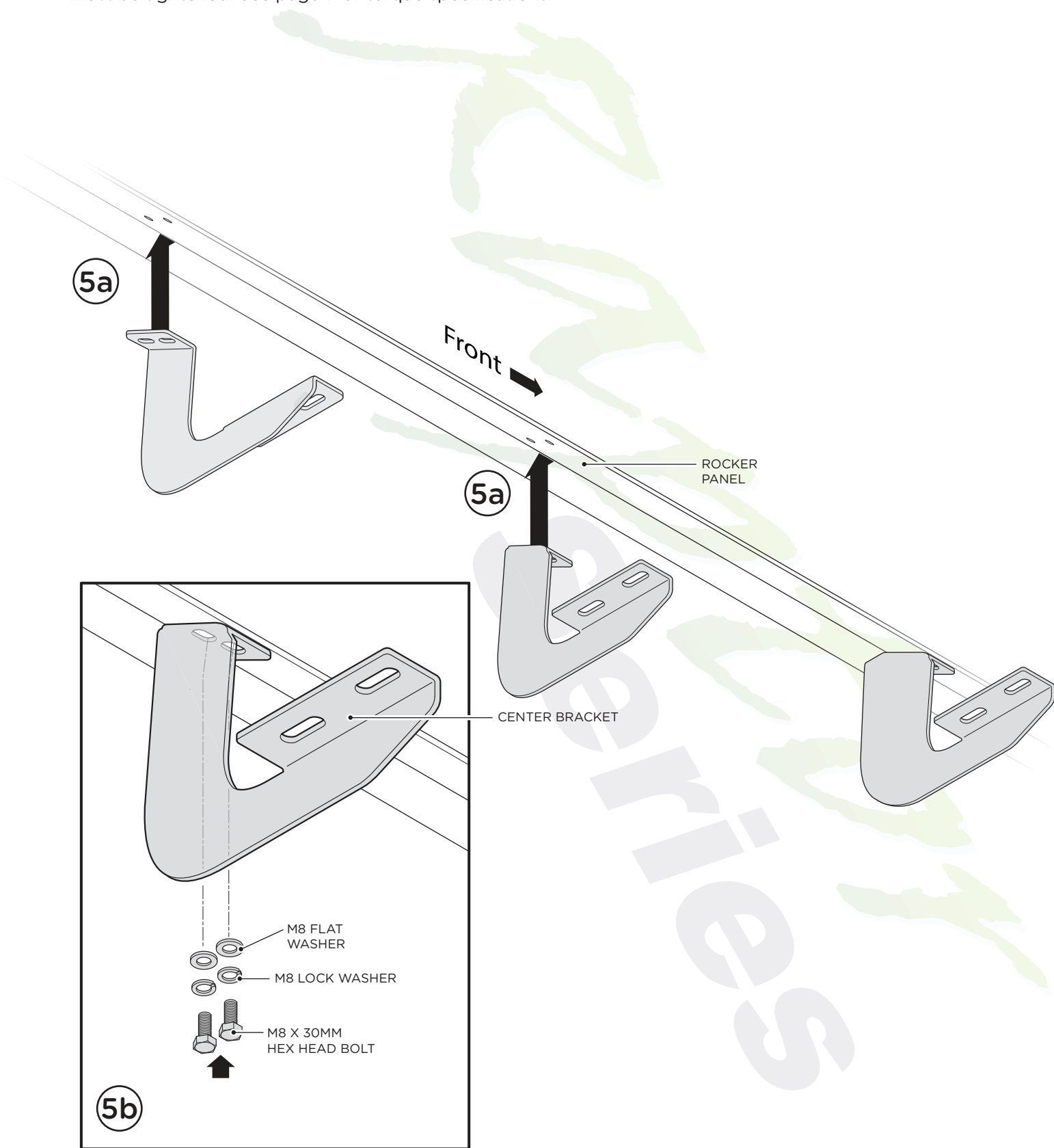
1704-0132, 1704-0132BT

4. Install the first passenger side Bracket closest to the front wheel. Align with existing factory holes in the rocker panel as shown (4a), Secure the first Bracket using two (2) M8 x 30mm Hex Bolt, two (2) M8 Lock Washer and two (2) M8 Flat Washer (4b).



5. Position the remaining two (2) passenger side Brackets as shown (5a) and secure using two (2) M8 x 30mm Hex Bolts, two (2) M8 Lock Washers and two (2) M8 Flat Washers per Bracket (5b)

6. Repeat these steps for driver side installation. When all hardware is in place, everything must be tightened. See page 1 for torque specifications.



6" OEM RUNNING BOARD

Raptor
Series

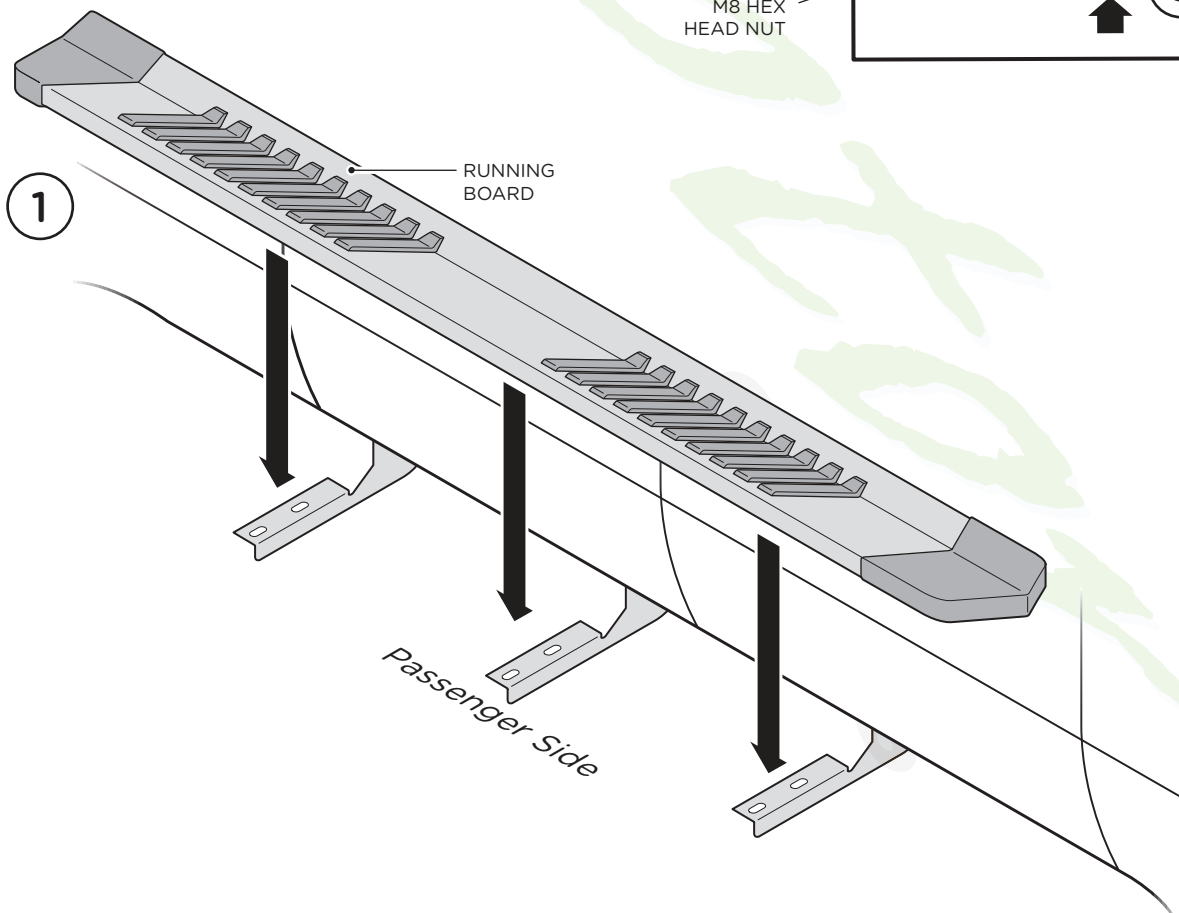
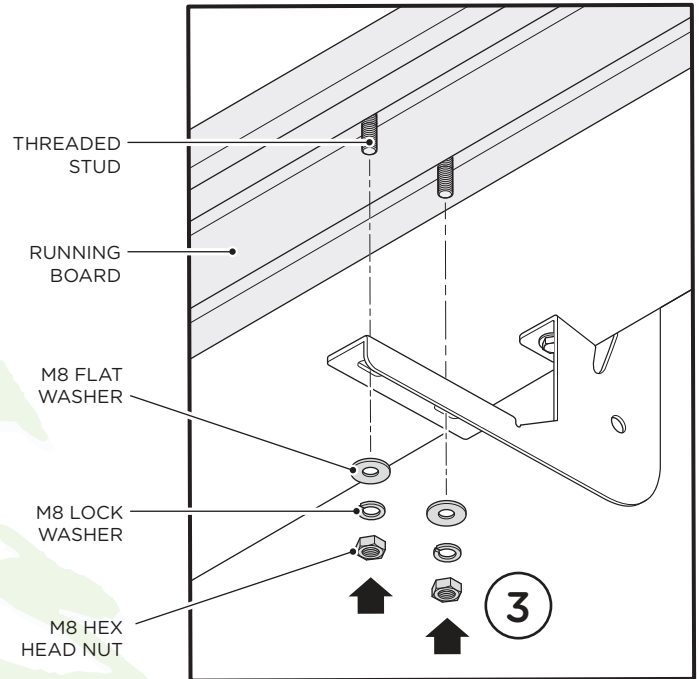
1. Place Running Board on brackets. Each running board is marked Driver and Passenger.

2. Slide M8 threaded studs in track system on the bottom of the Running Board to line up to mounting holes in each bracket.

3. Fasten Running Board on each bracket by using two (2) M8 Flat Washers, two (2) M8 Lock Washers and two (2) M8 Hex Head Nuts per bracket.

When all hardware is in place, everything must be tightened. Tighten until the split lock washer is flat between the M8 Flat Washer and M8 Hex Head Nut.

Repeat these steps for driver side installation.



Learn more about running boards and step bars we have.