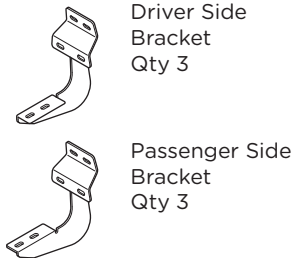


1703-0355, 1703-0355BT

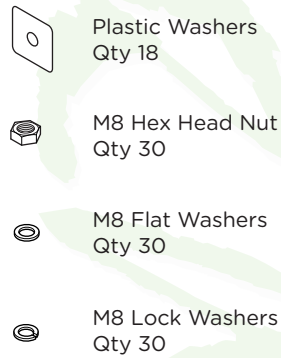
# 6" OEM RUNNING BOARD

*Raptor*  
Series

## Components:



## Hardware:



## Tools Required:



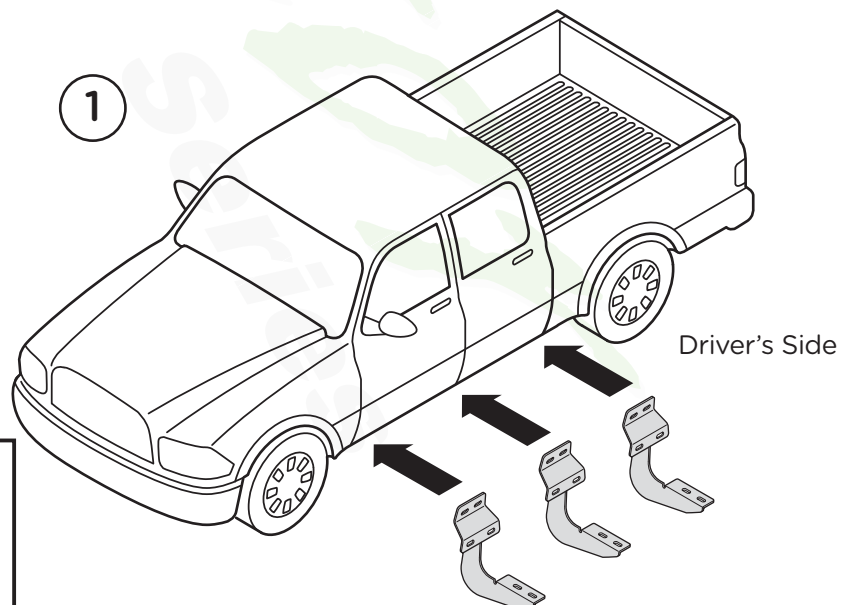
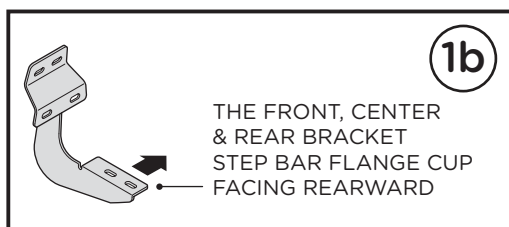
## Torque Specifications:

For Rocker Panel Mount Installations  
M8 through M12 bolts and nuts are set to 15-20 ft lbs.

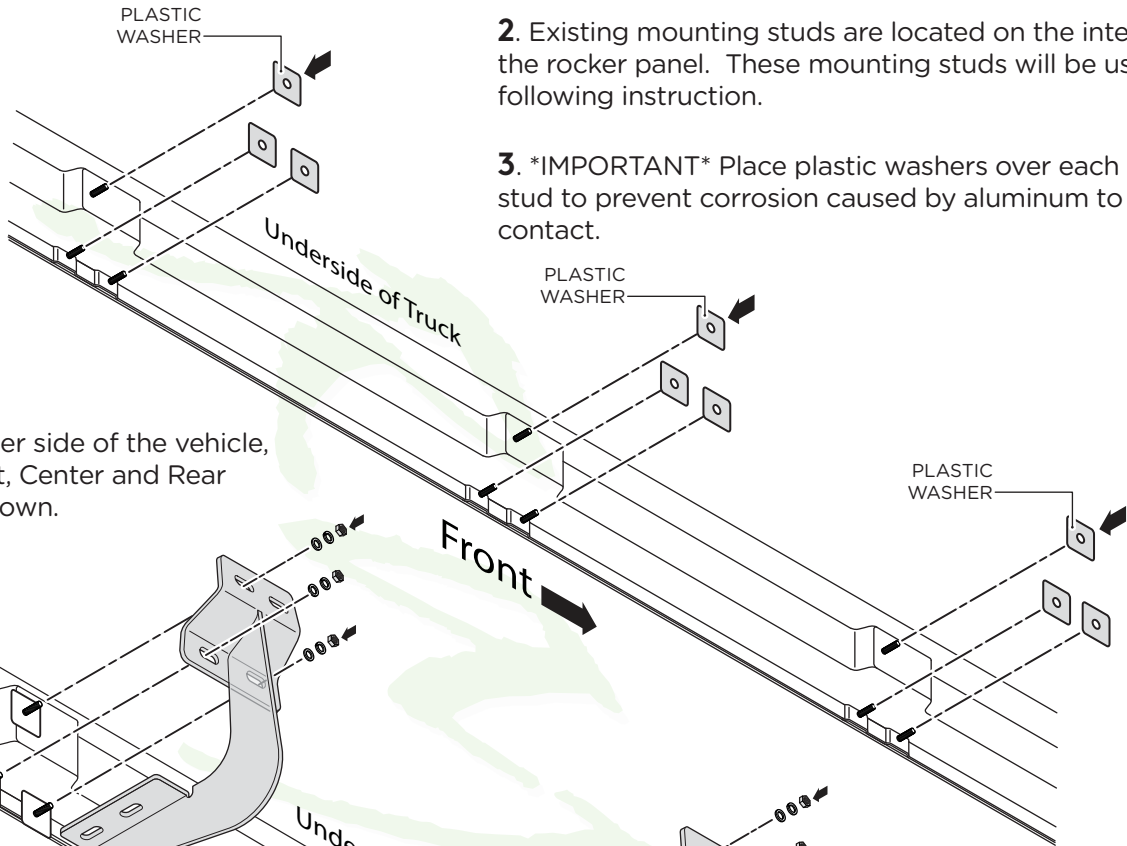
**Note: When installing the brackets and boards, all hardware must be left loose until all the items are attached.**

**1.** Remove all contents from the package and check running boards for any damage. Also, verify that all components and hardware listed above are included before you begin installation.

Begin on driver side of vehicle.



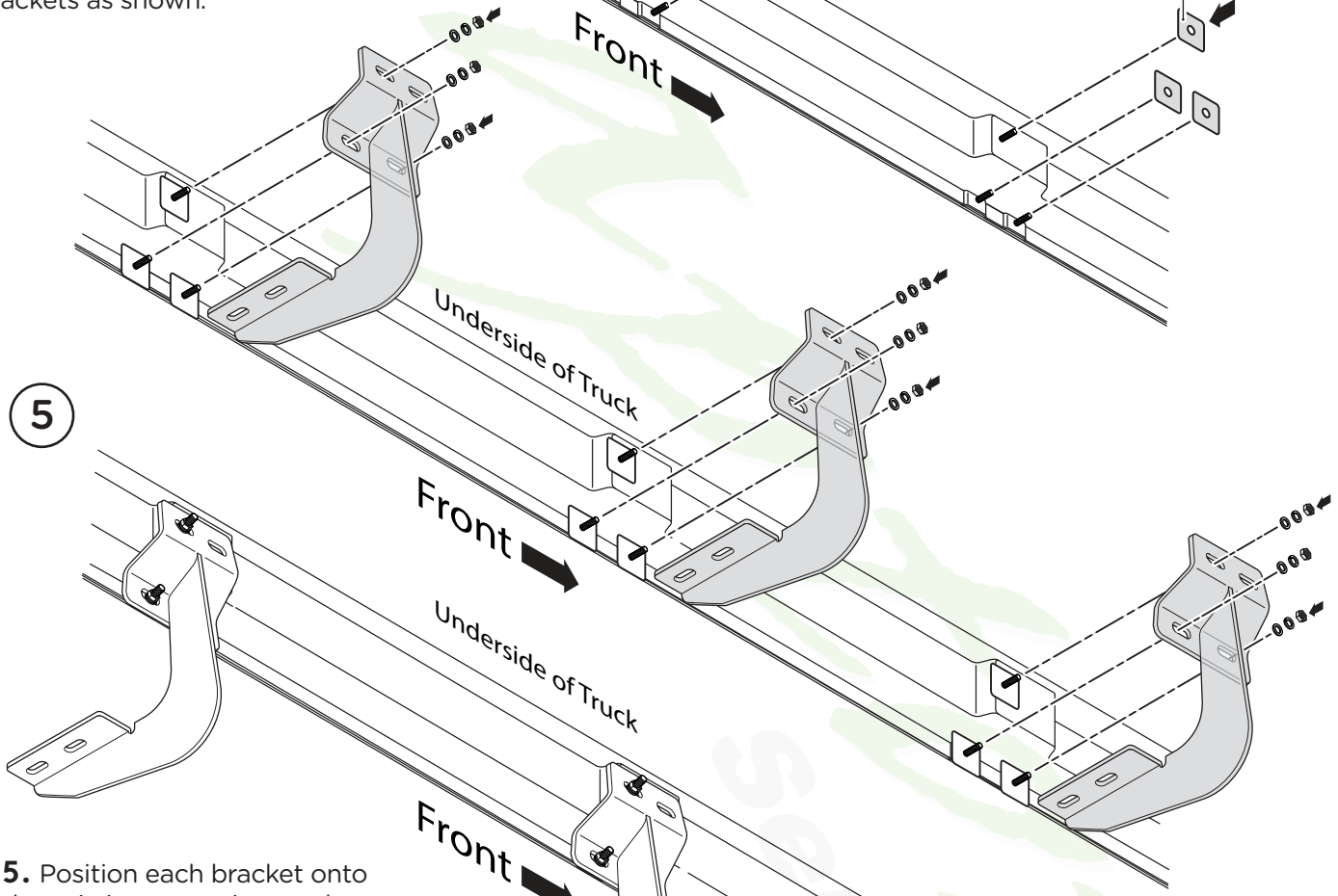
3



2. Existing mounting studs are located on the interior wall of the rocker panel. These mounting studs will be used for the following instruction.

3. **\*IMPORTANT\*** Place plastic washers over each mounting stud to prevent corrosion caused by aluminum to steel contact.

4. On the driver side of the vehicle, align the Front, Center and Rear brackets as shown.



5

5. Position each bracket onto the existing mounting studs on the rocker panel. Fasten by using three (3) M8 Flat Washers, three (3) M8 Lock Washers and three (3) M8 Hex Head Nuts per bracket.

6. Repeat these steps for passenger side installation. When all hardware is in place, everything must be tightened. See page 1 for torque specifications.

# 6" OEM RUNNING BOARD



**1.** Place Running Board on brackets. Each running board is marked Driver and Passenger.

**2.** Slide M8 threaded studs in track system on the bottom of the Running Board to line up to mounting holes in each bracket.

**3.** Fasten Running Board on each bracket by using two (2) M8 Flat Washers, two (2) M8 Lock Washers and two (2) M8 Hex Head Nuts per bracket.

When all hardware is in place, everything must be tightened. Tighten until the split lock washer is flat between the M8 Flat Washer and M8 Hex Head Nut.

Repeat these steps for driver side installation.

