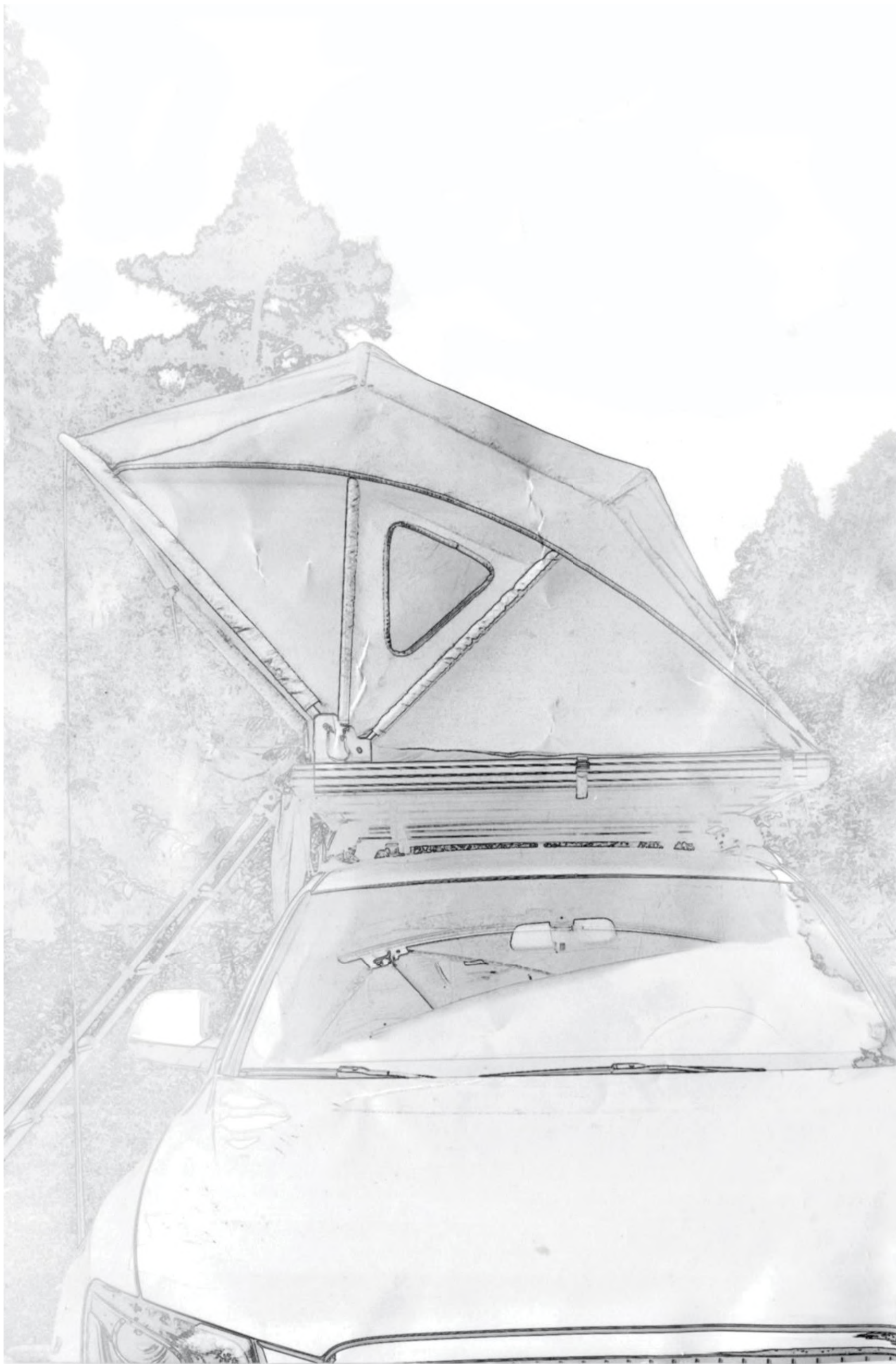


OFFGRID *By Raptor Series*

Voyager Pop Up Tent

USER MANUAL





CONTENTS

BRIEF INSTRUCTION

1. Characteristics and Applications
2. Materials and Specifications
3. Main Parts

HOW TO USE

1. Attached Parts and Tools
2. Installation Diagram
3. Installation Steps
4. Operation and Maintenance
5. Ladder Operation
6. Attention

Voyager Pop Up Tent

These instructions contain important information regarding installation, functioning, maintenance and storage. Please read below instruction carefully before installation.

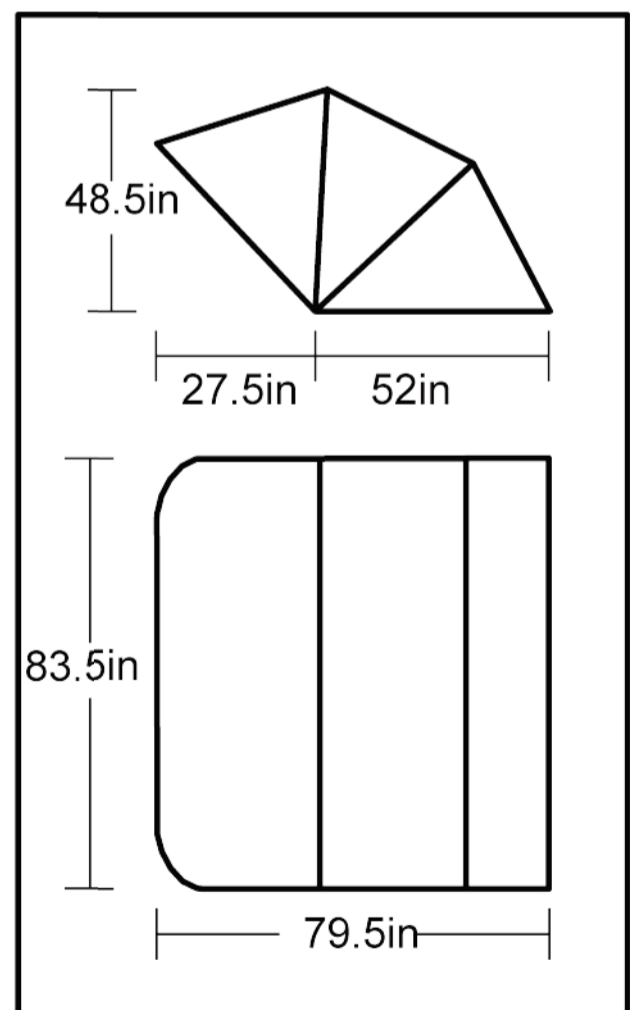
BRIEF INSTRUCTION

1. Characteristics and Applications

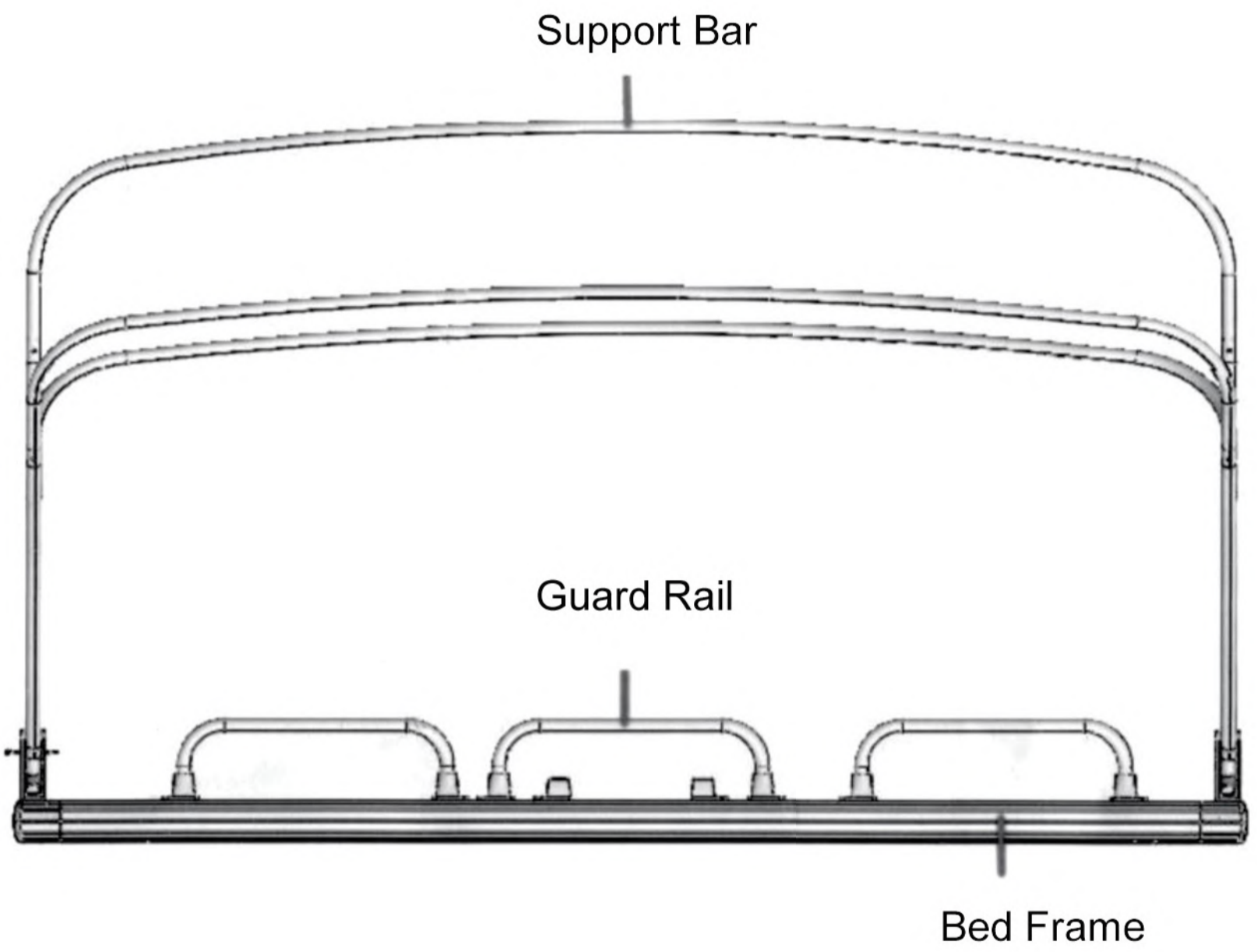
- 1) The Voyager Pop Up Tent is a tent installed on the vehicle roof which is very easy to open and close. You can enjoy your outdoor camping life wherever the road or trail may take you.
- 2) Modular and lightweight design offers convenient operation and simple installation.
- 3) The aluminum bedframe is weight rated to 750 lbs. The telescopic ladder has a weight rating of 350 lbs. and the tent is suitable for different car, truck and SUV models.

2. Materials and Specifications

- 1) Main Material: Frame: Aluminum
Ladder: Aluminum
Tent: Waterproof Cloth
- 2) Closed Size: 83.5"(L)x52"(W)x11"(H)
Open Size: 83.5"(L)x52"(W)x48.5"(H)

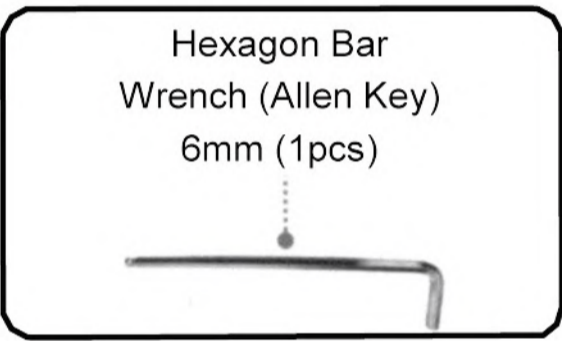
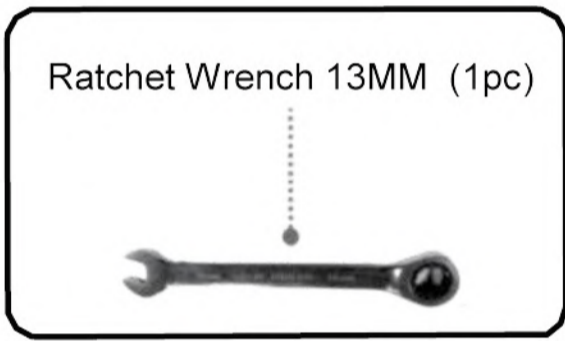
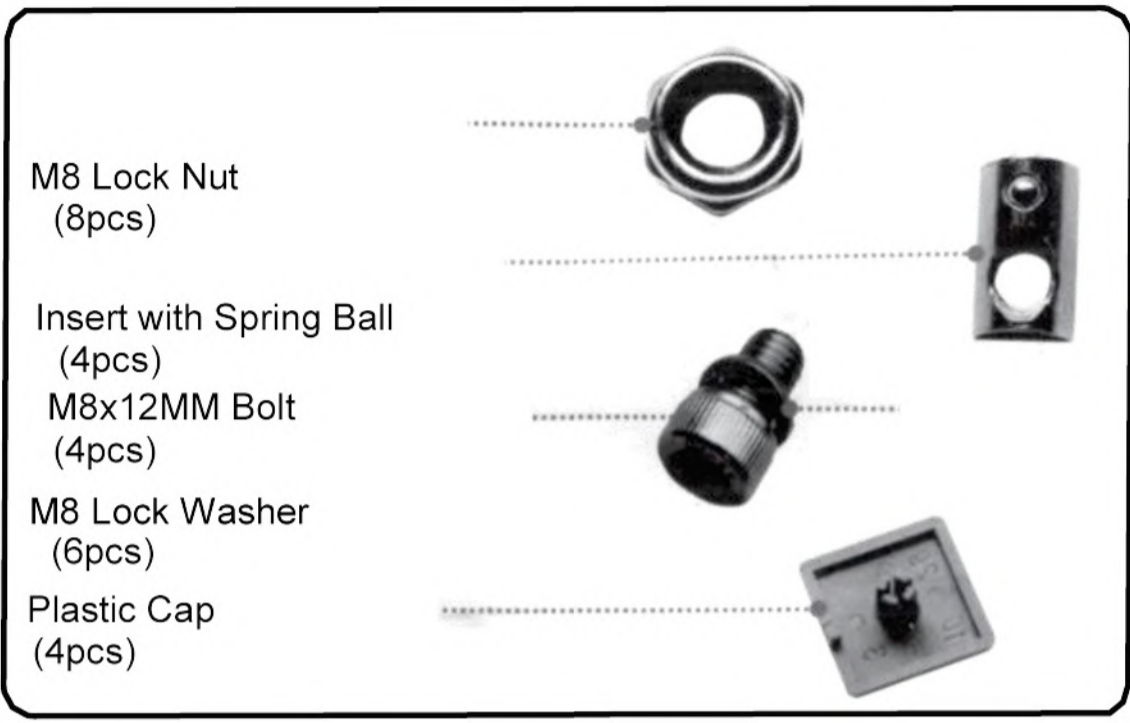
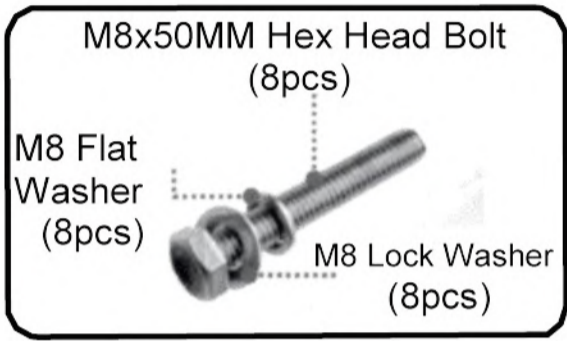
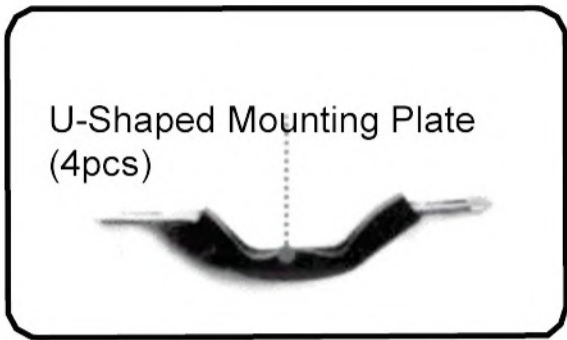


3. Main Parts



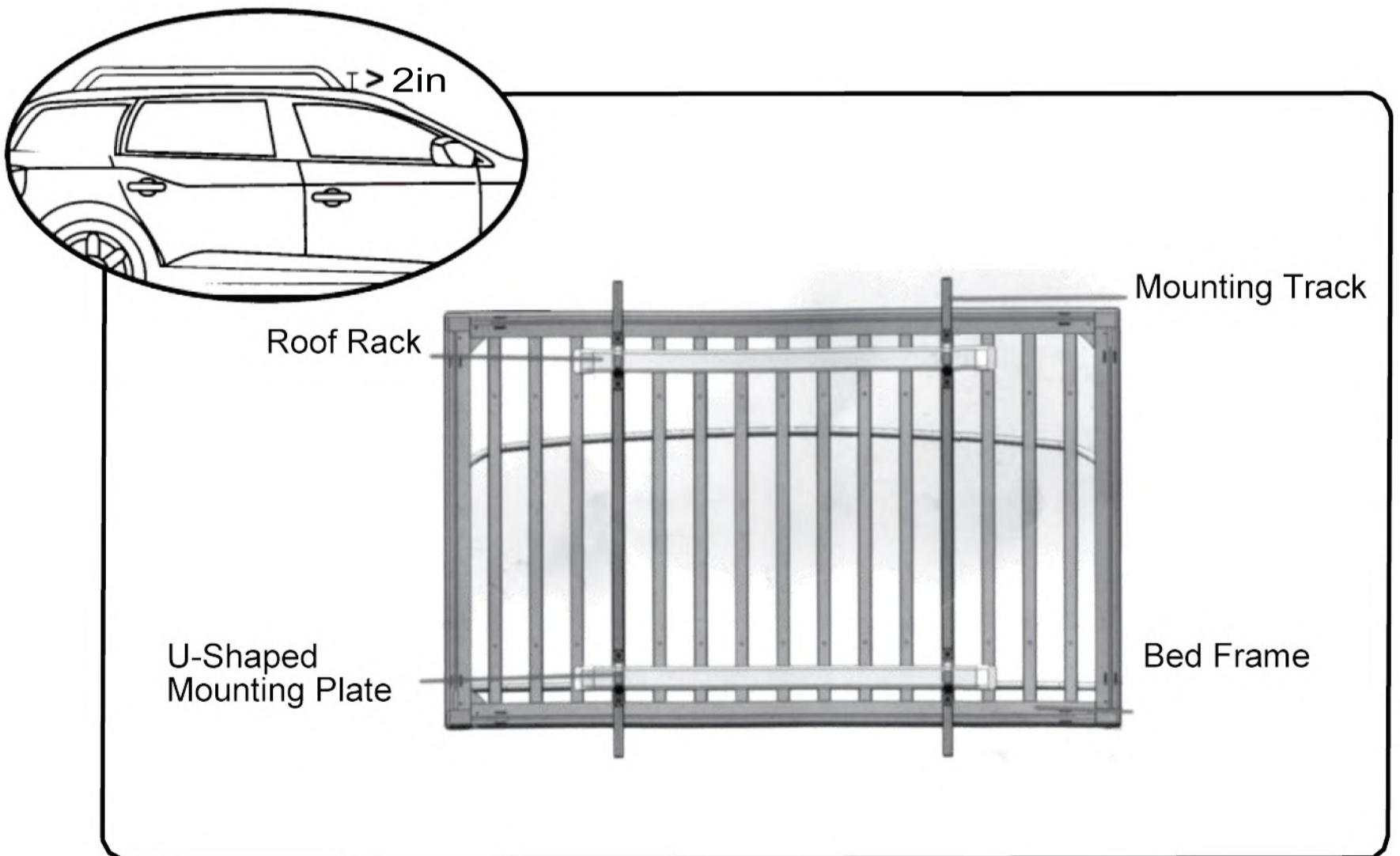
HOW TO USE

1. Attached Parts and Tools

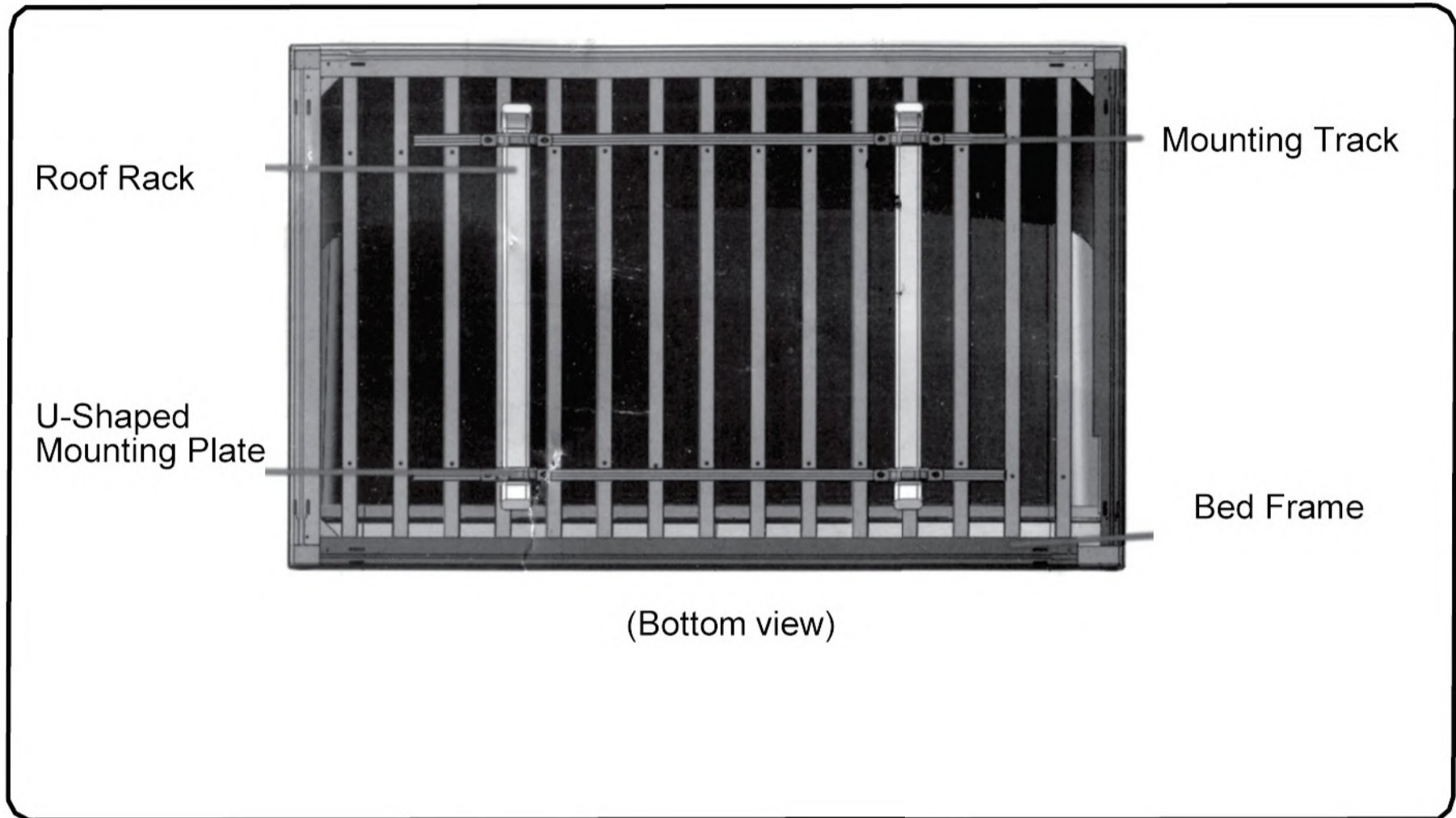


2. Installation Diagram

1) This installation diagram shows Mounting Track installed directed side to side. This method can be used for vehicles equip with roof rack but only have rails that run front to back.



2) This installation diagram shows Mounting Track installed directed front to back. This method can be used for vehicles equip with roof rack that has cross rails running side to side.



Note: roof rack examples shown below



A: Rack with cross rails



B: Rack without cross rails

3. Installation Steps



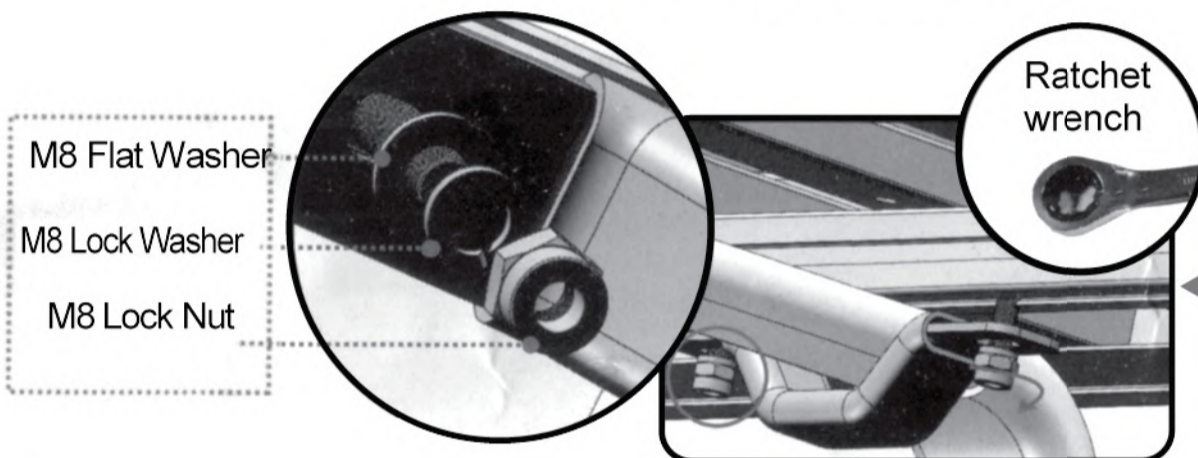
1) Ensure that the distance between to vehicle roof and the rack exceeds 2 inches to allow space for mounting.



2) According to the direction and size of the roof rack, loosen the screws and adjust the direction and distance of the two Mounting Tracks. Tighten the screws and place the tent onto the roof rack.



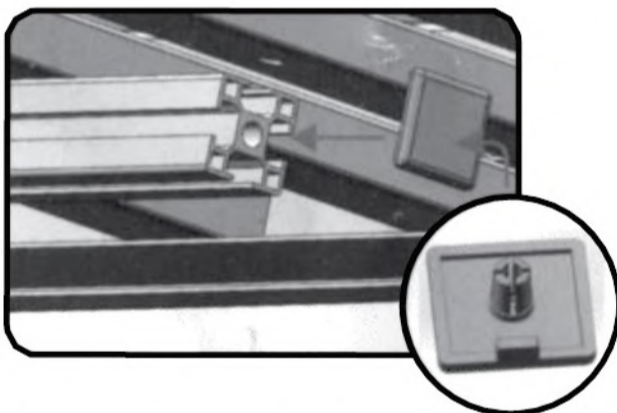
3) Adjust the tent to appropriate position on the vehicle roof. (Make sure the trunk door can be opened.)



5) The bolts pass through the hole of the U-Shaped Mounting Plate. Fasten using an M8 Flat Washer and M8 Lock Washer, then tighten the M8 Lock Nut using supplied 13MM Ratchet Wrench. Please note that total 4 pcs U-Shaped Mounting Plates shall be fixed on 4 corners respectively.



4) Slide the M8x50MM bolts to appropriate position from the end of the Mounting Track. If these bolts are too long to fit between Mounting Track and vehicle roof, you must use M8x30MM bolts.



6) Insert the Plastic Caps into the ends of the Mounting Tracks.

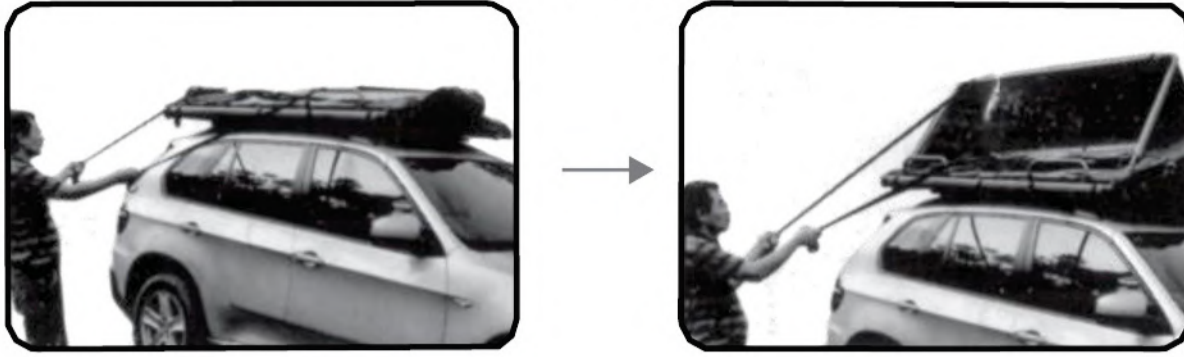
4. Operation & Maintenance

Unfolding method:

1) Take off the cover.



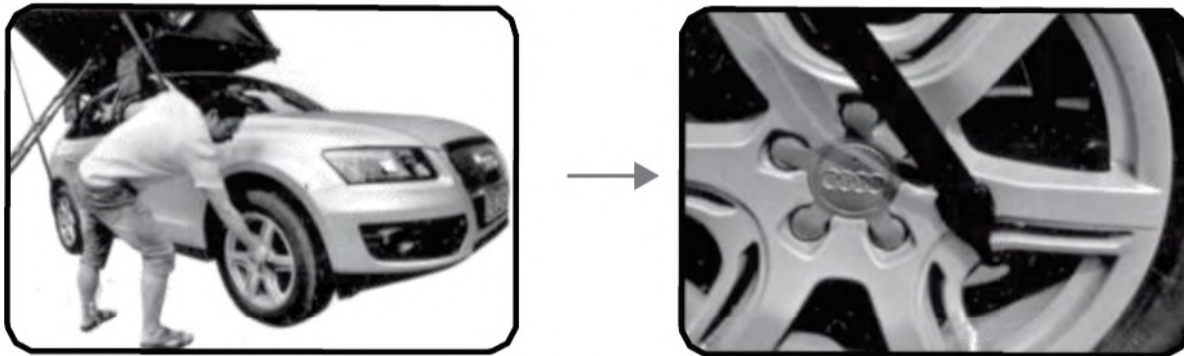
- 2) Hold the two straps in the front of the tent and pull forward to unfold the tent.



- 3) Insert the locking pin into the hole of the support bar bracket on both sides after the tent is fully unfolded.



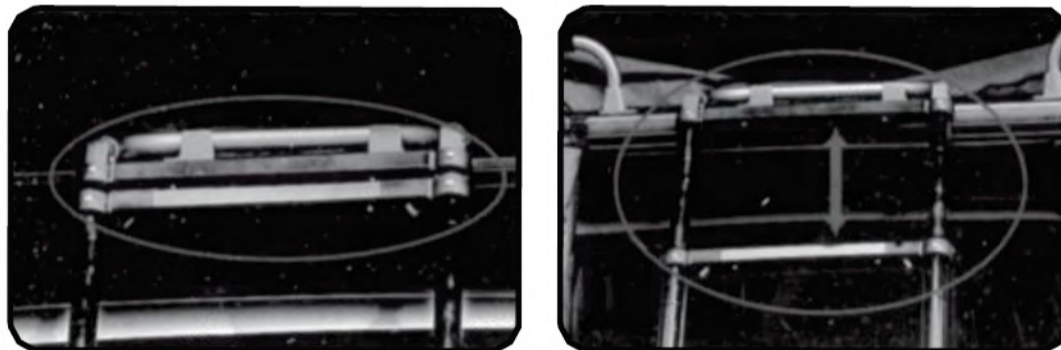
- 4) Adjust the length of the straps and then hook on the wheel of the vehicle.



- 5) Press the top tube of the telescopic ladder into the retainers at the front of the bed frame, then fasten the strap to the with the bed frame to ensure the ladder does not come out of the retainers.



- 6) Adjust the ladder to a suitable height. When in use the ladder must be at an angle of 75 degrees.



Folding method:

- 7) Make sure nothing is inside before folding. Pull out the locking pins from the holes of the support bar brackets then remove the strap hooks from wheels. Hold the straps and gently release until the tent is fully folded. Leave window zipper open so air can escape during closing.
- 8) Loosen the strap connecting the ladder to the bed frame, remove the ladder from the retainers. Step on the lowest crosspiece with one foot, grasp the ladder with one hand, and press the left and right switches of the lowest crosspiece to collapse the ladder. Place the collapsed ladder into trunk or other storage compartment.
- 9) Place water proof cover over the tent, and use provided straps to secure the cover to the frame.

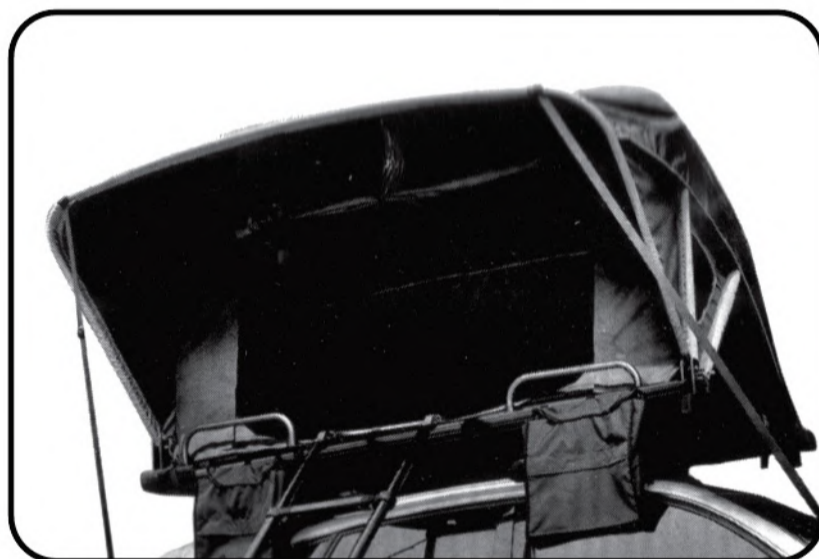
10) Show in operation



Overall View



Front view (window zipped)



Front view (window unzipped and folded)



Side view



Rear view

5. Ladder Operation

Read ladder instruction before use to prevent injury or product damage.

- 1) To open the ladder, step on the lowest crosspiece with one foot and lift-upwards on the top crosspiece to reach the required height.
- 2) Always ensure the crosspiece is locked before using the ladder. When in use, the ladder must be at an angle of 75 degrees to prevent the bottom from slipping out.
- 3) To retract the ladder, step on the lowest crosspiece with one foot, grasp the ladder with one hand and press the left and right switches of the lowest crosspiece. Do not put your hands on the crosspiece when pressing the contraction switches as the ladder will contract downwards automatically pushing each joint into one another.
- 4) The design of the ladder only permits one person to use it at a time and max loading is 350lbs.
- 5) Before using the ladder, make sure that all sections are firm, and the extended parts are locked. Do not use damaged, worn-out or chemically-etched ladder.
- 6) Set the ladder on firm ground. Do not let it stand on one leg. Do not set ladder on unsteady ground or surfaces with ice or snow on it, without an anti-skid device
- 7) Face the ladder while climbing up and down, while firmly holding the ladder. Distribute your body weight on the middle of the steps. Do not climb on single side. Do not jump from the ladder.
- 8) Make sure the ladder is clean. Keep free from grease, dirt, snow, paint and chemicals.

Note: To reduce the height, please collapse the ladder first and then extend it again to the height you want.

6. Attention

- 1) Keep the tent windows open when folding to allow air to escape.
- 2) Make sure nothing is in the tent before folding such as sleeping bags, pillows, etc.
- 3) Don't put anything on the top of the tent, whether in use or not.
- 4) Use only a wet cloth to clean the tent.
- 5) Double check that hardware securing the tent to the roof rack is tightened after installation and before driving.
- 6) The water proof cover must be on and secure during driving.
- 7) The bed frame and the ladder are both electric conductors, keep away from any live parts.
- 8) Do not use the tent or ladder in extremely windy conditions.