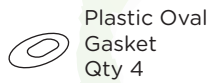
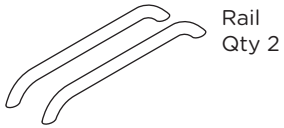


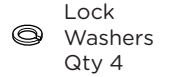
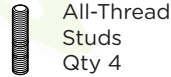
BED RAILS - UNIVERSAL

Raptor Series

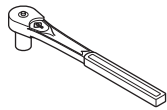
Components:



Hardware:



Tools Required:

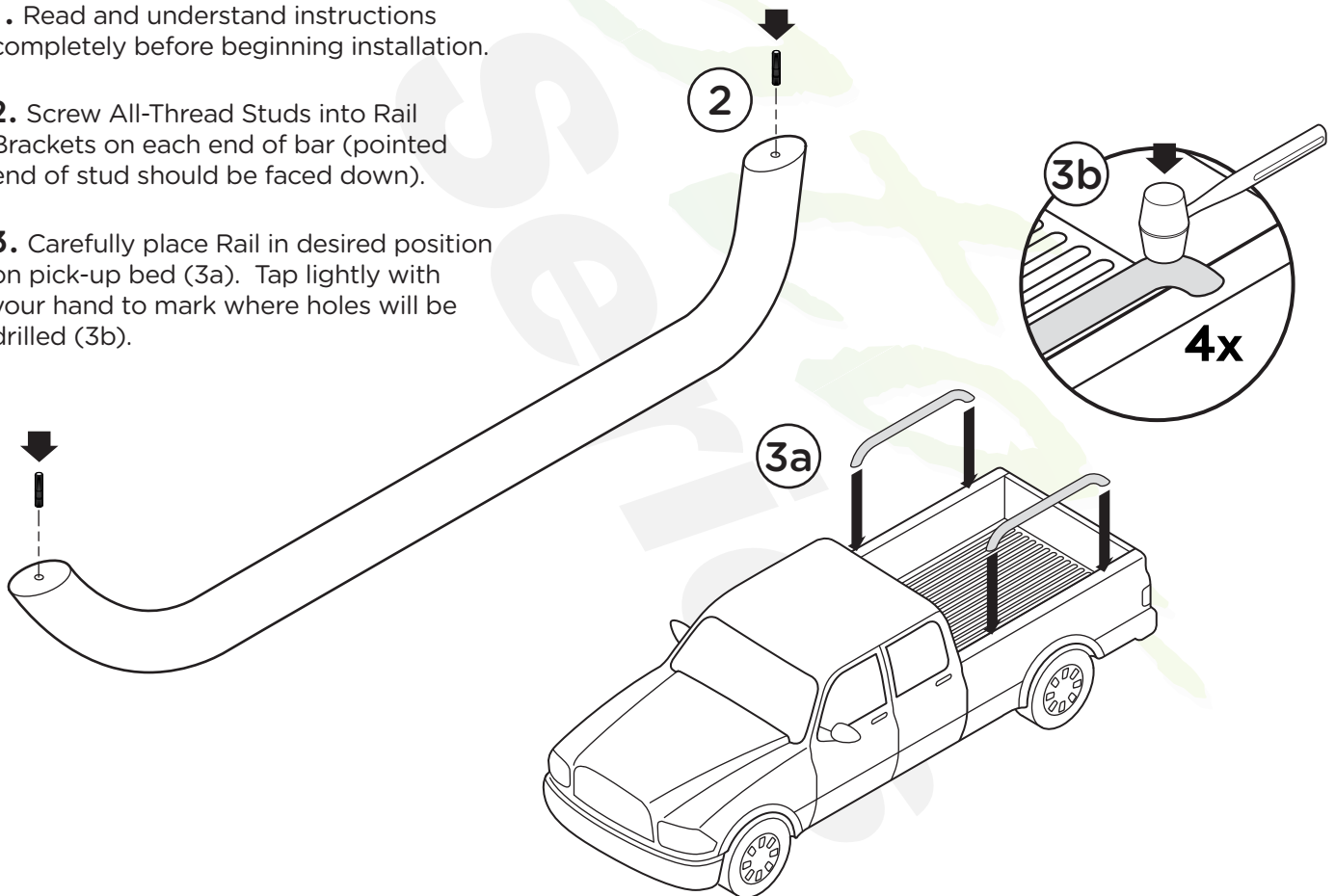


Note: When installing the Rails, all hardware must be left loose until all the items are attached.

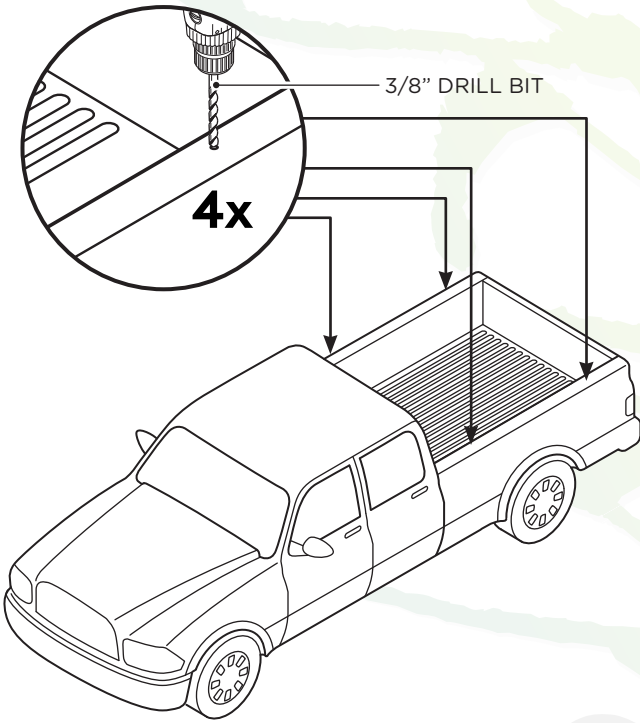
1. Read and understand instructions completely before beginning installation.

2. Screw All-Thread Studs into Rail Brackets on each end of bar (pointed end of stud should be faced down).

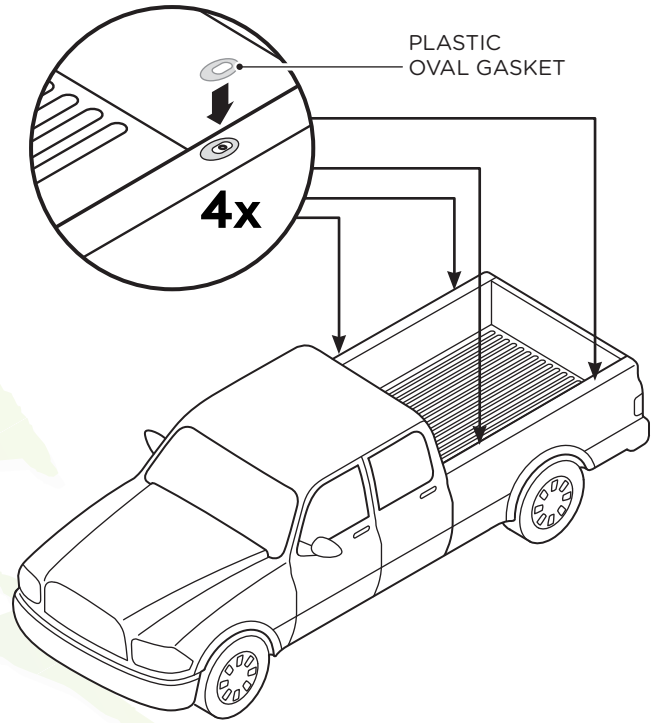
3. Carefully place Rail in desired position on pick-up bed (3a). Tap lightly with your hand to mark where holes will be drilled (3b).



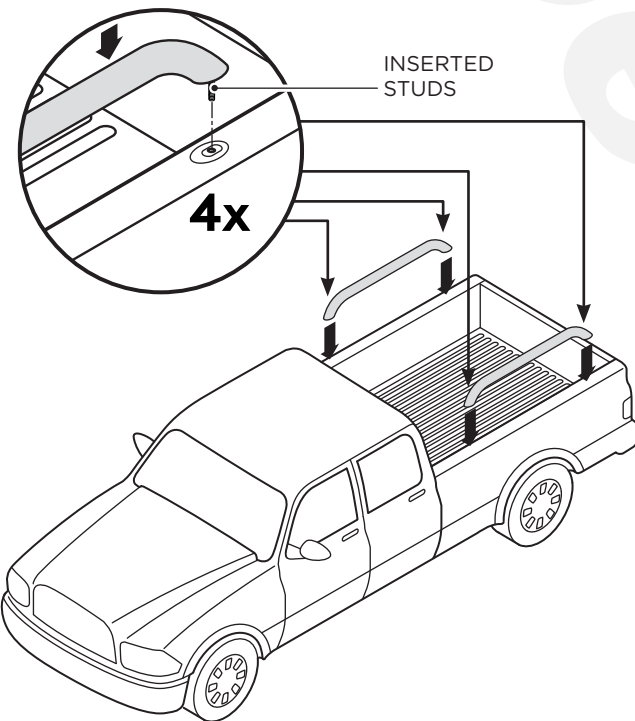
4. Drill 3/8" holes in top of Bed. Stud marks can be center punched so drill will not slip.



5. Place Plastic Oval Gasket in position between Side Rail and Bed.



6. Place Rails with Inserted Studs through holes.



7. Fasten Rails to truck using one (1) 3/8" Flat Washer, one (1) 3/8" Lock Washer and one (1) 3/8" Hex Head Nut. **DO NOT OVER TIGHTEN.** Maximum tie down capacity per bed rail is 50lbs.

