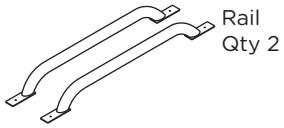


BED RAILS - STAKE HOLE MOUNT

Raptor Series

Components:



Tools Required:



Hardware:



A Button Head Bolt Qty 4



Rectangular Plastic Gasket Qty 4

Locking Bar Kit Qty 4



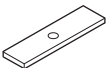
Bar A Qty 4



Bar B Qty 4

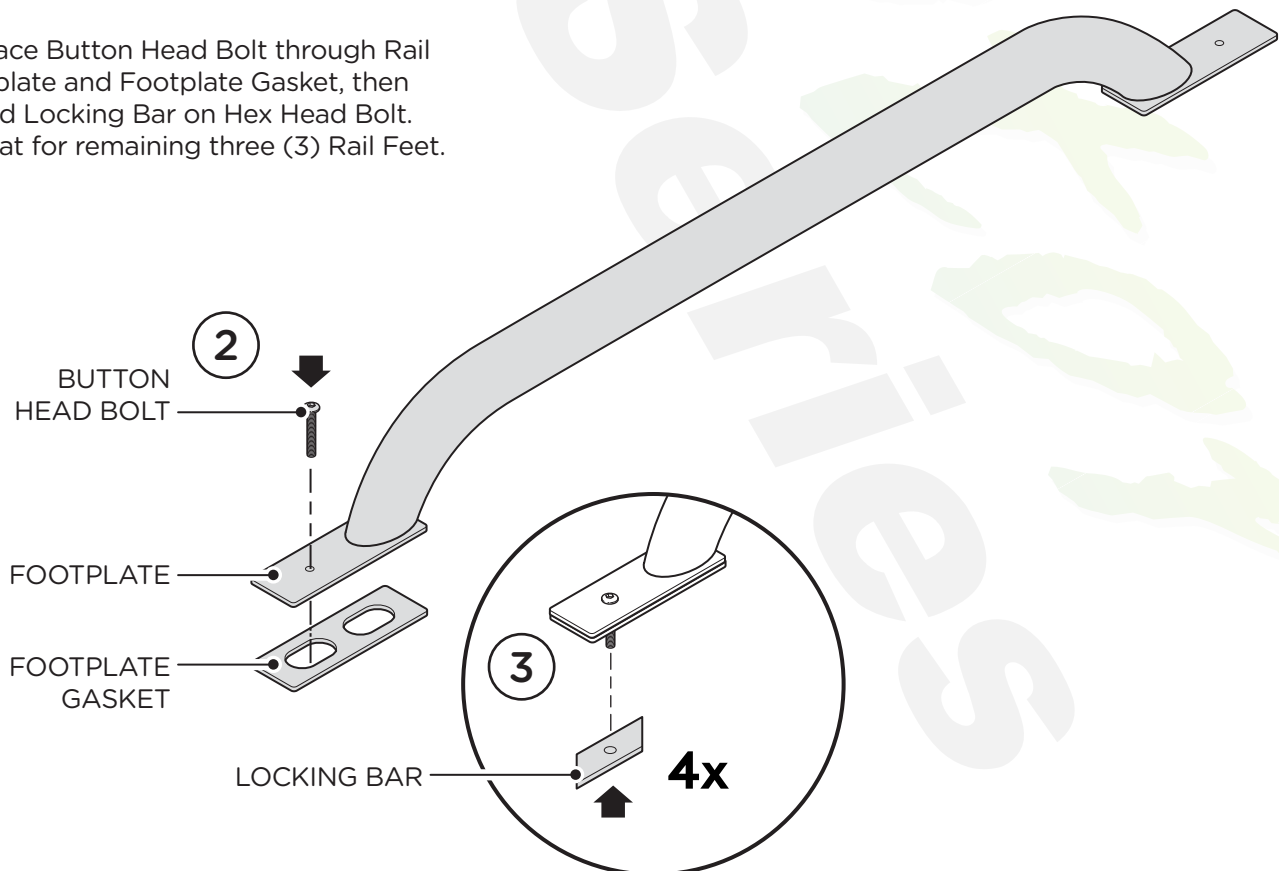


Bar C Qty 4

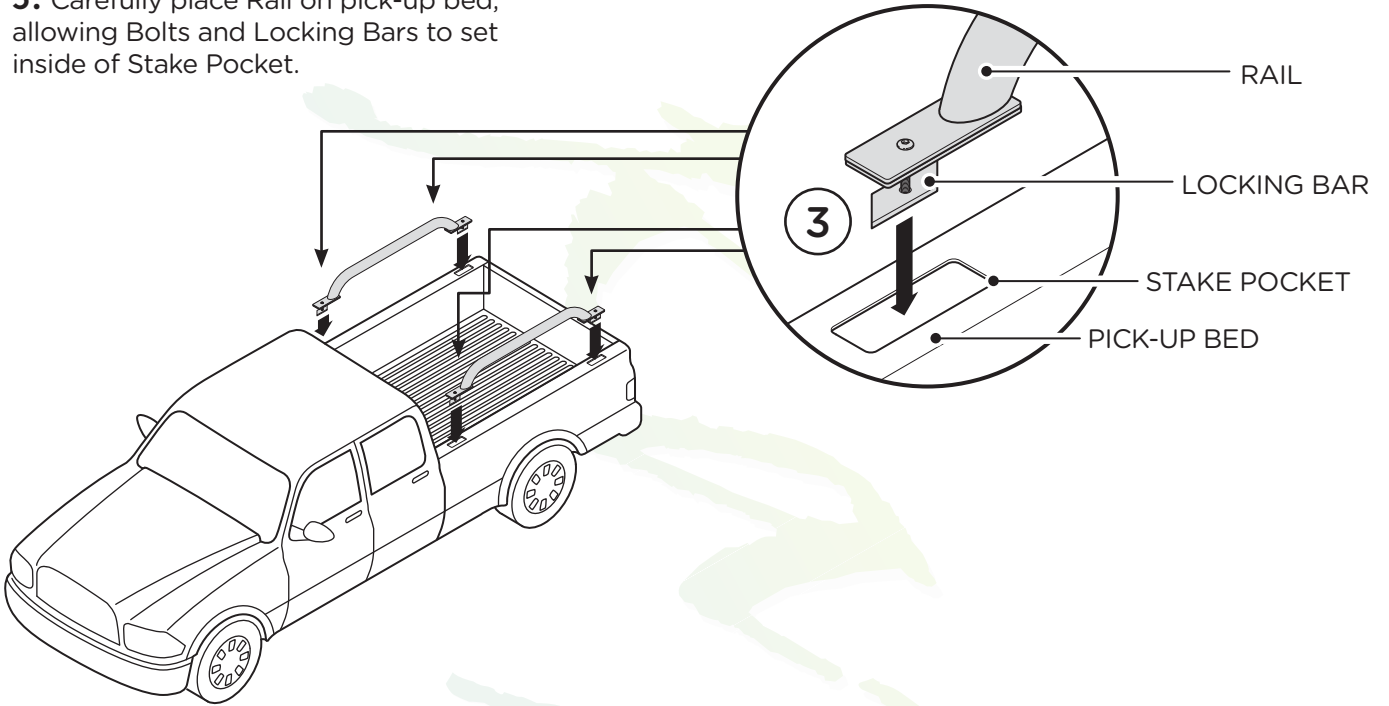


Note: When installing the Rails, all hardware must be left loose until all the items are attached.

1. Read and understand instructions completely before beginning installation.
2. Place Button Head Bolt through Rail Footplate and Footplate Gasket, then thread Locking Bar on Hex Head Bolt. Repeat for remaining three (3) Rail Feet.



3. Carefully place Rail on pick-up bed, allowing Bolts and Locking Bars to set inside of Stake Pocket.



4. Slightly lift each end of Side Rail (4a) and tighten Bolt securely with Allen wrench (4b). As tightening, make sure the Locking Bar catches on both sides of the Stake Pocket Hole (4c).

For lasting quality and durability, wax rails as you wax your vehicle.

