



READ ALL INSTRUCTIONS THOROUGHLY FROM START TO FINISH BEFORE BEGINNING INSTALLATION

| P/N      | DESCRIPTION                  | QTY. |
|----------|------------------------------|------|
| RS176694 | Glide Plate                  | 1    |
| RS860664 | Hardware Kit                 | 1    |
| RS740028 | 5/16-18 x 3.56 x 5.63 U-bolt | 1    |
| RS7670   | HHCS, 5/16-18 X 1.00         | 4    |
| RS7642   | Washer, 5/16 SAE             | 4    |
| RS7733   | Washer, 5/16 USS             | 2    |
| RS7768   | Nut, 5/16-18 NyLock          | 2    |
| RS88642  | Instruction                  | 1    |

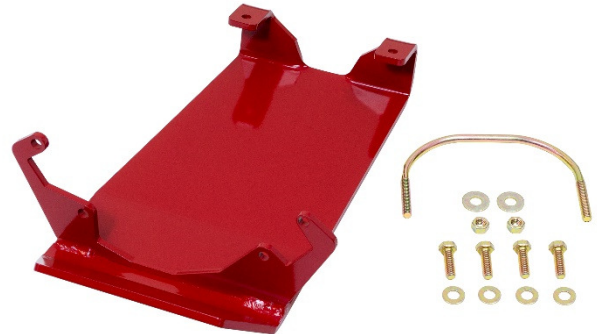


Illustration 1

- 1) Remove four bolts from the bottom of the rear differential. See illustration 2. Do not remove cover.
- 2) Apply thread lock and attach glide plate RS176694 to the differential cover with the supplied hardware. Tighten bolts to 20 ft. lbs. See illustration 3.
- 3) Place U-bolt over the front of the differential and through the glide plate. See illustration 3.
- 4) Attach U-bolt to glide plate with the supplied hardware. Tighten nuts to 20 ft. lbs.

**NOTE:** Inspect cover for fluid leaks periodically. If a leak is detected, remove and reseal cover per manufacturer's recommendations.

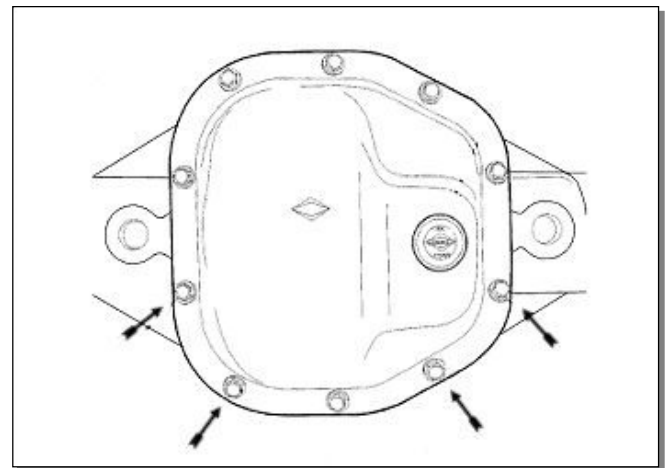


Illustration 2

### Torque Specs

|                                 |            |
|---------------------------------|------------|
| Glide Plate to Diff Cover Bolts | 20 ft. lbs |
| U-Bolt Nuts                     | 20 ft. lbs |



Illustration 3