



INSTALLATION INSTRUCTIONS
SUMMIT BACK BUMPER
2015-up FORD F-150
PART # SBF15HBLSL

1. If reverse sensors are present, remove the sensors from the factory bumper.
2. Unplug the license plate lights and remove light covers from bumper.
3. Remove license plate.
4. Unplug trailer plug and remove from bumper.
5. Remove spare tire lock.
6. Remove the top plastic part of the bumper. To remove this part you will need to squeeze the plastic clips, located on the bottom side of the bumper, together and push up.
7. Remove the two side metal bumper pieces from truck.
8. Install the Ranch Hand bumper by using the 7/16" bolts provided.
9. Before tightening the bolts, slide the trailer plug thru the large slotted hole in the back plate. Once it clips into the factory mount, tighten all bolts.
10. Install license plate by using the 1/4" bolts provided.
11. Plug in the lights into the light covers and clip light cover into bumper.
12. Install spare tire lock into the hole located on the right side of the license plate.
13. If reverse sensors are present, install the rubber grommets.
14. If no reverse sensors, use the rubber plugs to fill the holes.
15. MAKE SURE ALL NUTS AND BOLTS ARE TIGHT!

----- **WARNING** -----

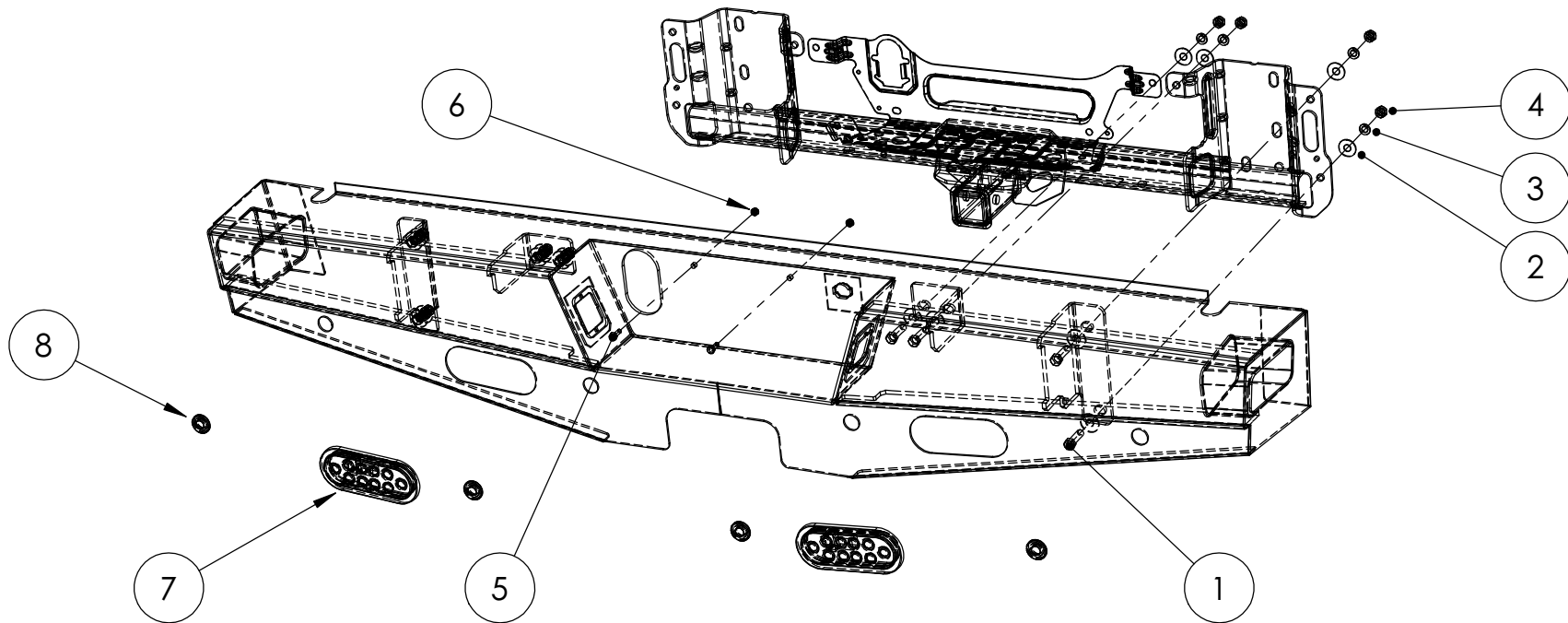
Special care should be exercised in the handling, storage and installation of Kaspar Ranch Hand equipment.

The actual weight of each piece of equipment will vary depending on style and model. The weight of the equipment is sufficient in volume to warrant special care, assistance and in some instances, the use of mechanical equipment during the transfer and installation of the equipment. Do not assume a position directly under the equipment during installation. Be sure the equipment has been connected and stabilized during installation to prevent falling or shifting of positions.

Periodically check tightness of bolts to make sure they are tight, and unlikely to fail.

SUMMIT BACK BUMPER for 2015 FORD F-150 SBF15HBLSL

ITEM NO.	PART NUMBER	DESCRIPTION	QTY.
1	BO-481	Hex Head Bolt 7/16"-14 x 1 1/2"	8
2	BH-72	Flat Washer 7/16"	16
3	BH-94	Lock Washer 7/16"	8
4	BN-61	Hex Nut 7/16" - 14	8
5	BO-562	Round Head Bolt 1/4" - 20 x 3/4	2
6	BN-36	Hex Nut 1/4" - 20	2
7	LEDLIGHTCLEAR	LED oval light	2
8	BPFE-27MM	Button Plug	4
9	G3227-016000	Rubber Grommet 1" x .8125	4



Looking for dependable off-road bumpers?
 Rely on Ranch Hand for quality and long-lasting products.