



MAINTENANCE/CARE

- Periodically check and tighten all fasteners.
- Stripped, fractured, or bent bolts or nuts need to be replaced.
- After washing of the vehicle make sure to fully dry all surfaces

SENSOR DISCLAIMER

PLEASE NOTE PARKING SENSORS ARE EXTREMELY DELICATE AND MUST BE HANDLED WITH CARE!

Do NOT touch or shift the clear rubber grommet that surrounds the sensor face. DO NOT glue housing into place until orientation and functionality is determined.

APPENDIX

Troubleshooting Vehicle Sensors

- Start with a general inspection of the sensor fitment. Check that both the sensors and the sensor clips are fully secure and the sensors are properly centered in the housing.
- Confirm plastic housing is in the correct mounting holes. Misplaced sensor housings could compress sensor and give false readings or faults.
- Use a clean microfiber to wipe the front face of the sensor.
- Inspect connection. Be sure that the sensor is firmly seated into the harness.
- Run through several start cycles (i.e. fully turn the vehicle on and off).
- Finally, disconnect the battery to reset the sensors.

WARNING

If your vehicle has adaptive cruise, please ensure that your adaptive cruise is working correctly once the Ranch Hand bumper is installed. Adaptive cruise may need to be cleaned or adjusted to ensure it functions properly. See your owner's manual for care of the adaptive cruise.

Special care should be exercised in the handling, storage and installation of Kaspar Ranch Hand equipment. The actual weight of each piece of equipment will vary depending on style and model. The weight of the equipment is sufficient in volume to warrant special care, assistance and in some instances, the use of mechanical equipment during the transfer and installation of the equipment. Do not assume a position directly under the equipment during installation. Be sure the equipment has been connected and stabilized during installation to prevent falling or shifting of positions. Periodically check tightness of bolts to make sure they are tight, and unlikely to fail.

SAFETY

- In order to help you make informed decisions about safety, we have provided installation instructions and other information.
- These instructions alert you to potential injury hazards
- Please do a job safety analysis before each task to identify potential hazards for your situation and remove/protect against them.
- You must use your own good judgment.
- Read and understand all safety precautions and instructions before installing this product

HAZARD

FAILURE TO OBSERVE THESE INSTRUCTIONS COULD LEAD TO SEVERE INJURY OR DEATH.

- Always remove jewelry and wear eye protection.
- Always use extreme caution when jacking up a vehicle for work. Set emergency brake and use tire blocks. Locate and use the vehicle manufacturers designated lifting points. Use jack stands.
- Always use appropriate and adequate care in lifting components into place.
- Always insure components will remain secure during installation and operation.
- Always wear safety glasses when installing this kit. A drilling operation will cause flying metal chips. Flying chips can cause serious eye injury.
- Always use extreme caution when drilling on a vehicle. Thoroughly inspect the area to be drilled (on both sides of material) prior to drilling, and relocate any objects that may be damaged.
- Always use extreme caution when cutting and trimming during fitting.
- Always tighten all nuts and bolts securely per installation instructions.
- Always route electrical cables carefully. Avoid moving parts, components that become hot and rough or sharp edges.
- Always insulate and protect all exposed wiring and electrical terminals.
- Always perform regular inspections and maintenance on mounts and related hardware.



RANCH HAND
PROTECT YOUR TRUCK

INSTALLATION INSTRUCTIONS

DESCRIPTION

2009-UP Dodge 1500/2010-
Up Dodge 2500/3500 Summit
Back Bumper

PART #:

SBD09HBL5L/SBD09HBL5LE

INSTALLATION INSTRUCTIONS:

1. If reverse sensors are present, remove the sensor from the factory bumper. Do not disconnect the sensor wires. Zip-tie the sensors to the frame to prevent damaging when installing the bumper.
2. Unplug the license plate lights.
3. Remove the license plate to expose the two 15mm bolts.
4. If a trailer plug is present, remove the plug. Remove the plug by squeezing the metal clips from the backside of the bumper. Pull the plug through the opening of the bumper and unhook the wires.
5. Remove the two 15mm bolts, on each side, that holds the factory bumper to the side bumper brackets.
6. Remove two 15mm bolts that are located behind the license plate.
7. Remove the factory bumper.
8. If reverse sensors are present. Remove the four plastic plugs from the skirts and install the rubber grommets.
9. Mount the Ranch Hand bumper by using tow factory 15mm bolts behind the license plate. Leave loose.
10. Use two 7/16" bolts, on each side, to mount the mounting brackets to the frame bracket.
11. Center from side to side and then tighten the two 15mm bolts in the center. Line up the bottom of the bumper mounting brackets and frame brackets. Tighten all nuts and bolts.
12. Open the tailgate slowly to make sure there is clearance between the tailgate and bumper. It should be about 3/8" clearance.
13. To install the license plate lights, reuse the license plate harness. You will have to cut off the ends.
14. Install the license plate by using four 1/4" bolts.
15. Reinstall the factory trailer plug.
16. Install the sensors into the rubber grommets. You may want to use a small amount of silicon to help secure the sensor in the grommet.
17. **MAKE SURE ALL NUTS AND BOLTS ARE TIGHT!!**

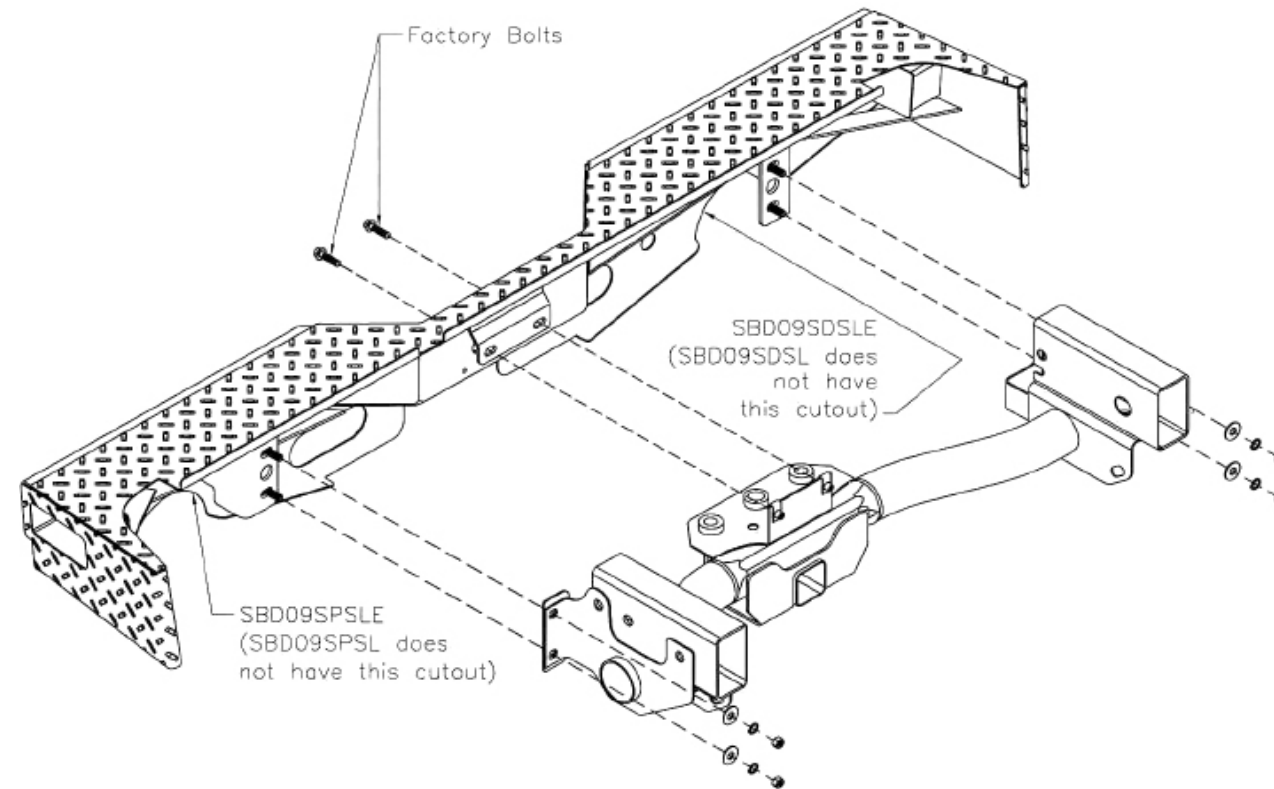
2009-Up Dodge 1500/2010-Up Dodge 2500/3500 Summit Bumper

SBD09HBLSL/SBD09HBSLE

TOOLS REQUIRED

Metric and SAE sockets

PARTS LIST



Learn more about off-road bumpers we have.