

RANCH HAND

INSTALLATION INSTRUCTIONS

2016-up TOYOTA TACOMA GRILL GUARD PART # GGT16MBL1

Note: You will need to cut slots in the air dam in order to install grill guard.

1. Remove the air dam from the vehicle. There will be a few screws and plastic clips.
2. Remove the two outside bumper nuts (14mm), two on each side.
3. Mount the bottom brackets (Item #10&11) over the bolts and then reinstall the nuts.
4. Under the factory bumper mounting brackets, there is a hole. Place a 1/2" x 4 1/2" (Item #4) bolt and washer (#5) through the hole from the backside. Slide the 1 1/2" x 1 1/2" spacer (#12) between the frame and bottom mounting bracket. Use a 1/2" washer (#5), lock washer (#6) and nut (#7) to install.
5. Center the mounting brackets and make sure from bracket to bracket it measures less than 35".
6. Once the bottom brackets are installed, hold the air dam against the brackets. Center the air dam and mark the air dam where it will need to be cut. Note: The cut should be, from center, 17" inner dimension and 18" outer dimension. You will need to cut the air dam about 3 1/2" down. Also, you will need to cut the outer part of the recess area.



7. Through the front opening of the bumper, locate the inner bumper bolt. Remove the (14mm) nut and then install the top brackets (item #8&9). The bracket will be installed through the lower slot located just below the grille.
8. Mount the grill guard to the bottom brackets with four black carriage bolts (item #1), washers (#2) and lock nuts (#3). Level the grill guard and then tighten the bolts.
9. Mount the top brackets to the grill guard with two black carriage bolts (item #1), washers (#2) and lock nuts (#3).
10. **MAKE SURE ALL NUTS AND BOLTS ARE TIGHT!**

----- WARNING -----

Special care should be exercised in the handling, storage and installation of Kaspar Ranch Hand equipment.

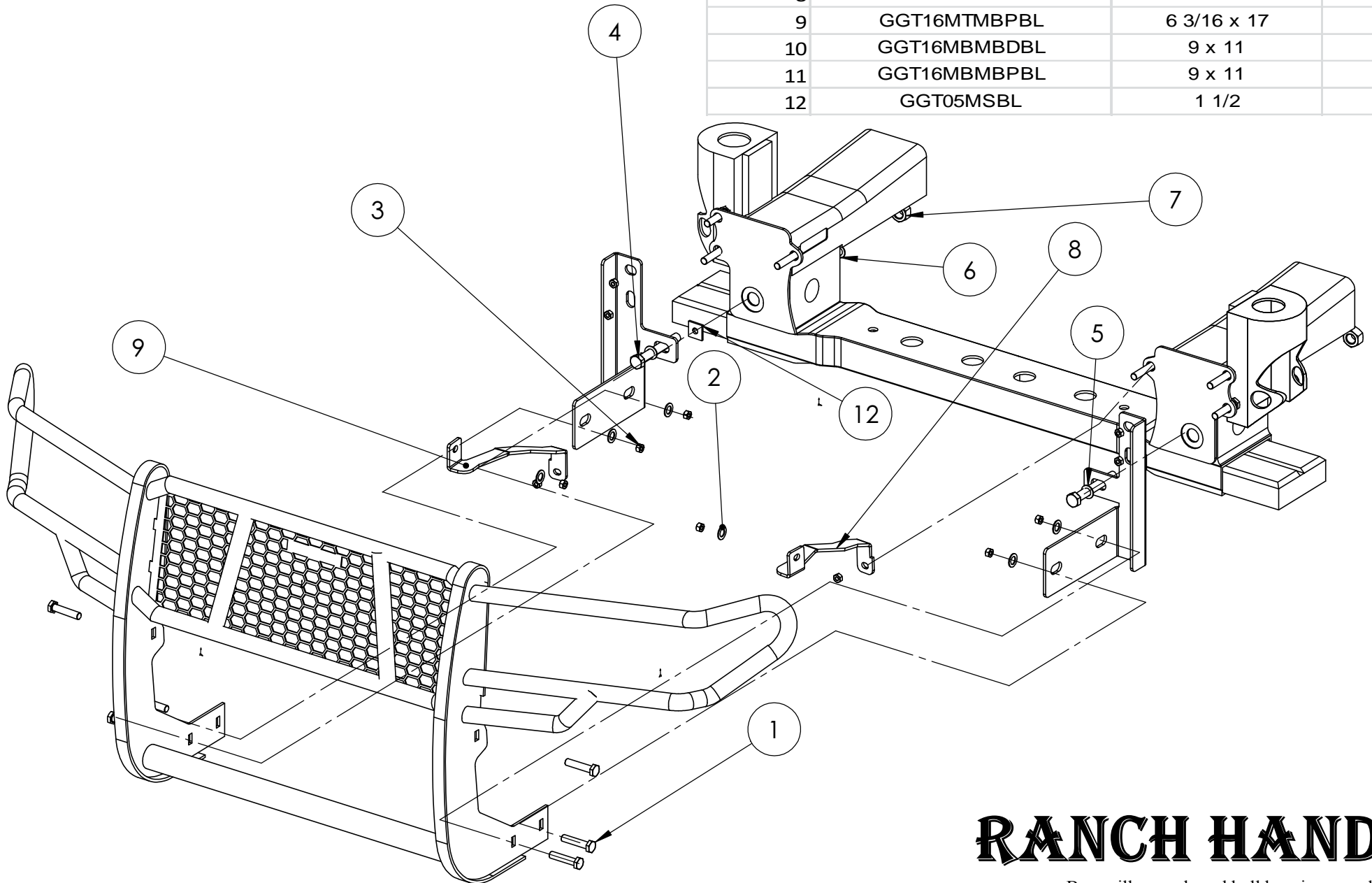
The actual weight of each piece of equipment will vary depending on style and model. The weight of the equipment is sufficient in volume to warrant special care, assistance and in some instances, the use of mechanical equipment during the transfer and installation of the equipment.

Do not assume a position directly under the equipment during installation. Be sure the equipment has been connected and stabilized during installation to prevent falling or shifting of positions.

Periodically check tightness of bolts to make sure they are tight, and unlikely to fail.

2016 - TOYOTA TACOMA GRILL GUARD GGT16MBL1

ITEM NO.	GGT16MBP	BOLT PACKAGE SIZE	QTY
1	Carriage Bolt	1/2" - 13 x 1 1/2"	6
2	Blk. Washer	1/2"	6
3	Blk. Lock Nut	1/2" - 13	6
4	Hex Head Bolt	1/2" - 13 X 4 1/2"	2
5	Flat Washer	1/2"	4
6	Lock Washer	1/2"	2
7	Hex Nut	1/2" - 13	2
8	GGT16MTMBDBL	6 3/16 x 17	1
9	GGT16MTMBPBL	6 3/16 x 17	1
10	GGT16MBMBDBL	9 x 11	1
11	GGT16MBMBPBL	9 x 11	1
12	GGT05MSBL	1 1/2	2



RANCH HAND