

RANCH HAND

INSTALLATION INSTRUCTIONS

1999-03 FORD F-150 4X2 / 1999-02 EXPEDITION 4X2 PART # GGF992BL1

1. Remove the top factory nut from the bumper support bracket that bolts the bumper to the frame. (J)
2. Slide brackets starting from the ends of the bumper to the location over the bolts then reinstall nuts. *NOTE: There is a driver (B) and passenger side(C) top bracket. The driver side is a little longer and is slightly over bent.*
3. Place the grill guard (A) on the truck. Use 1/2" x 1 1/2" bolts to mount the grill guard to the top brackets. (E) Center from left to right, and hand tighten bolts.
4. Bolt the bottom brackets (D) to the side of the frame using the existing holes in the frame. Use 1/2" x 4 1/2" bolts to mount. (I)
5. Use 1/2" x 1 1/2" bolts (E) to mount the straps to the holes in the bottom brackets. (D)
NOTE: If grill guard does not set level, loosen brackets and adjust accordingly.
6. **MAKE SURE ALL NUTS AND BOLTS ARE TIGHT!**

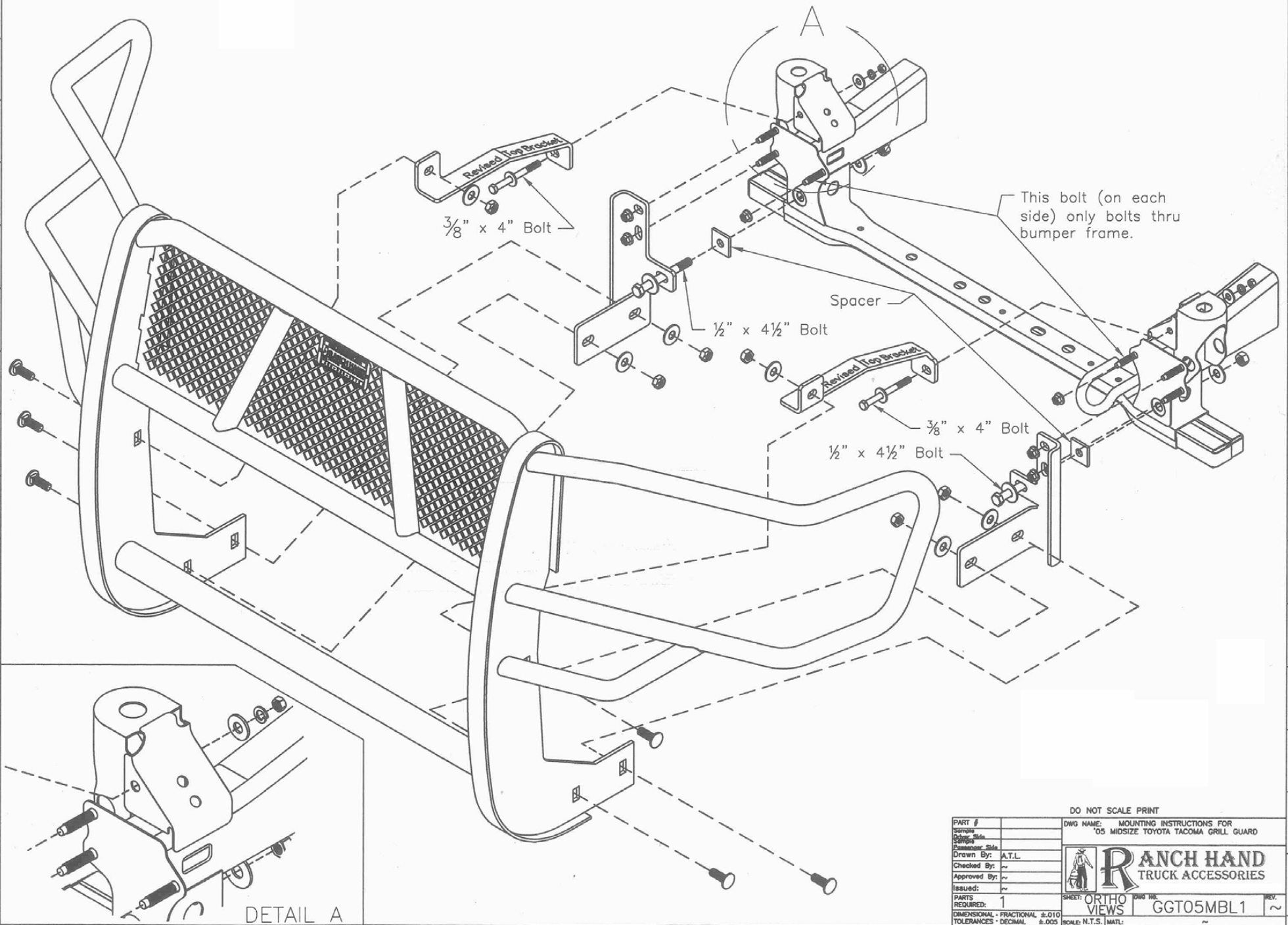
WARNING

Special care should be exercised in the handling, storage and installation of Kaspar Ranch Hand equipment.

The actual weight of each piece of equipment will vary depending on style and model. The weight of the equipment is sufficient in volume to warrant special care, assistance and in some instances, the use of mechanical equipment during the transfer and installation of the equipment.

Do not assume a position directly under the equipment during installation. Be sure the equipment has been connected and stabilized during installation to prevent falling or shifting of positions.

Periodically check tightness of bolts to make sure they are tight, and unlikely to fail.



This bolt (on each side) only bolts thru bumper frame.

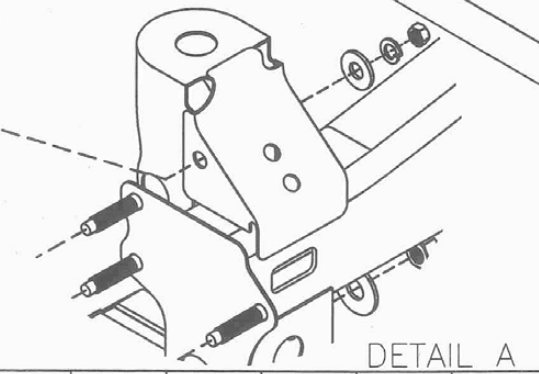
Spacer

$\frac{3}{8}$ " x 4" Bolt

$\frac{1}{2}$ " x 4 $\frac{1}{2}$ " Bolt

$\frac{3}{8}$ " x 4" Bolt

$\frac{1}{2}$ " x 4 $\frac{1}{2}$ " Bolt



DETAIL A

DO NOT SCALE PRINT

PART #		DWG NAME:	MOUNTING INSTRUCTIONS FOR
Qty		'05 MIDSIZE TOYOTA TACOMA	GRILL GUARD
Order Side			
Drawn By:	A.T.L.		
Checked By:			
Approved By:			
Issued:			
PARTS REQUIRED:	1	SHEET:	OR1HO
DIMENSIONAL - FRACTIONAL	±.010	DWG NO.:	GGT05MBL1
TOLERANCES - DECIMAL	±.005	SCALE:	N.T.S.

