

RANCH HAND

INSTALLATION INSTRUCTIONS

2007-up CHEVY GRILL GUARD for:

2500 SUBURBAN

PART # GGC07TBL1 / PBC07TBL1

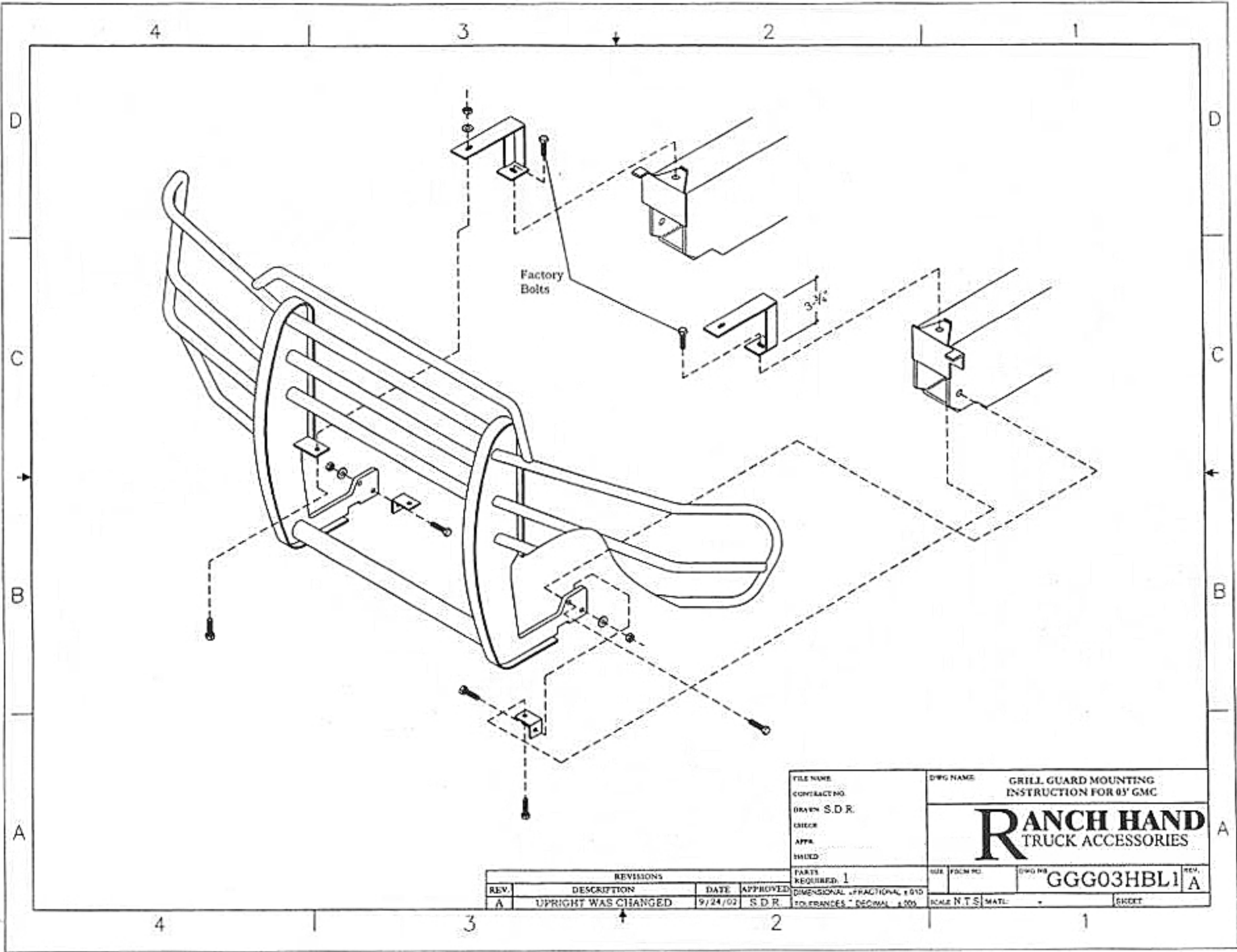
1. Remove the tow hooks if present. Remove the plastic insert down in the tow hook area. There will be four clips, two on top and two on bottom.
2. There is a driver and passenger side mounting bracket. Slide bracket through the opening of the bumper and then against the frame.
3. If tow hooks are present, use the short tow hook bolt for the bottom of the frame. Use a ½" x 5" bolt for the side of the frame.
4. If tow hooks are not present, use three- ½" x 1 ½" bolt to install mounting bracket. Do the same for the other side.
5. Push bracket up against the frame and tighten all bolts.
6. Mount the grill guard by using four carriage bolts, two on each side. Slide the uprights of the grill guard to the outside of the mounting bracket. Put the carriage bolt through the upright and then the mounting bracket.
7. Open the hood and remove the second 10mm factory grill bolt. *See drawing.* Mount the top bracket in place and reinstall bolt. Do the same for the other side.
8. Use a ¼" bolt to mount the bracket to the inner hole in the strap of the grill guard. *Note: You may have to raise or lower the grill guard to line up the holes. Also, you may have to lean the grill guard forward or backwards.*
9. Close the hood slowly to make sure brackets will not touch the hood.
10. Level the grill guard and then tighten nuts. Torque ½" bolts to 90 ft. lbs.
11. **MAKE SURE ALL NUTS AND BOLTS ARE TIGHT!**

----- WARNING -----

Special care should be exercised in the handling, storage and installation of Kaspar Ranch Hand equipment.

The actual weight of each piece of equipment will vary depending on style and model. The weight of the equipment is sufficient in volume to warrant special care, assistance and in some instances, the use of mechanical equipment during the transfer and installation of the equipment. Do not assume a position directly under the equipment during installation. Be sure the equipment has been connected and stabilized during installation to prevent falling or shifting of positions.

Periodically check tightness of bolts to make sure they are tight, and unlikely to fail.



| | | | |
|-------------------------------------------|---------------------|----------------------------------------|----------|
| FILE NAME | | DWG NAME | |
| CONTRACT NO. | | GRILL GUARD MOUNTING | |
| DRAWN S.D.R. | | INSTRUCTION FOR 03' GMC | |
| RANCH HAND TRUCK ACCESSORIES | | | |
| CHKD | DATE | REV. NO. | REV. |
| APP'D | | GGG03HBL1 | A |
| SHED | | | |
| PARTS REQUIRED 1 | | SCALE N.T.S. | MATERIAL |
| REV. | DESCRIPTION | DATE | APPROVED |
| A | UPRIGHT WAS CHANGED | 9/24/02 | S.D.R. |
| DIMENSIONAL TOLERANCES FRACTIONAL ± 0.010 | | DIMENSIONAL TOLERANCES DECIMAL ± 0.005 | |

| REVISIONS | | | |
|-----------|---------------------|---------|----------|
| REV. | DESCRIPTION | DATE | APPROVED |
| A | UPRIGHT WAS CHANGED | 9/24/02 | S.D.R. |