

RANCH HAND

INSTALLATION INSTRUCTIONS

GRILL GUARD for: 2007.5-up CHEVY 1500 PART# GGC08HBL1 / PBC08HBL1

NOTE: Work on one side at a time so the bumper does not move while installing.

1. Start with the driver side. Remove tow hook if present.
2. Remove the two (21mm) factory bumper nuts located just above the tow hook bolts. Pull the bolts out and replace them from the reverse side. They need to be facing out. (You do not have to reverse the bolts on the passenger side).
3. Slide the 2" wide section of the mounting bracket through the tow hook opening. Put the bumper bolts through the top two hole of the bracket and reinstall the nuts. The bracket will mount to the outside of the frame.
4. Put the tow hook back in the frame. Put one 1/2" washer between the frame and mounting bracket. (You will need two washers on the passenger side). When reinstalling the long tow hook bolt, make sure it goes through the frame, 1/2" washer and then the mounting bracket. Then put in the short tow hook bolt. *Note: If tow hooks are not present, use a 1/2" x 1 1/2" bolts to install. Remember to put the 1/2" washer between the frame and mounting bracket.*
5. Center the bracket through the tow hook opening and then tighten all nuts and bolts.
6. Open the hood and remove the plastic radiator cover.
7. Remove the top 21mm bumper bolt. Do one side at a time. Mount the top bracket, with the two bends, over the hole and reinstall the bumper bolt. Do the same for the other side.
8. Mount the grill guard to the bottom brackets. Use the 1/2" carriage bolts to install. Level the grill guard and then tighten carriage bolts.
9. There is a driver and passenger top mounting bracket. Mount the straight end of the bracket to the top bracket and the formed end, facing down, to the upright.
10. Tighten all the bolts and then reinstall the grill.

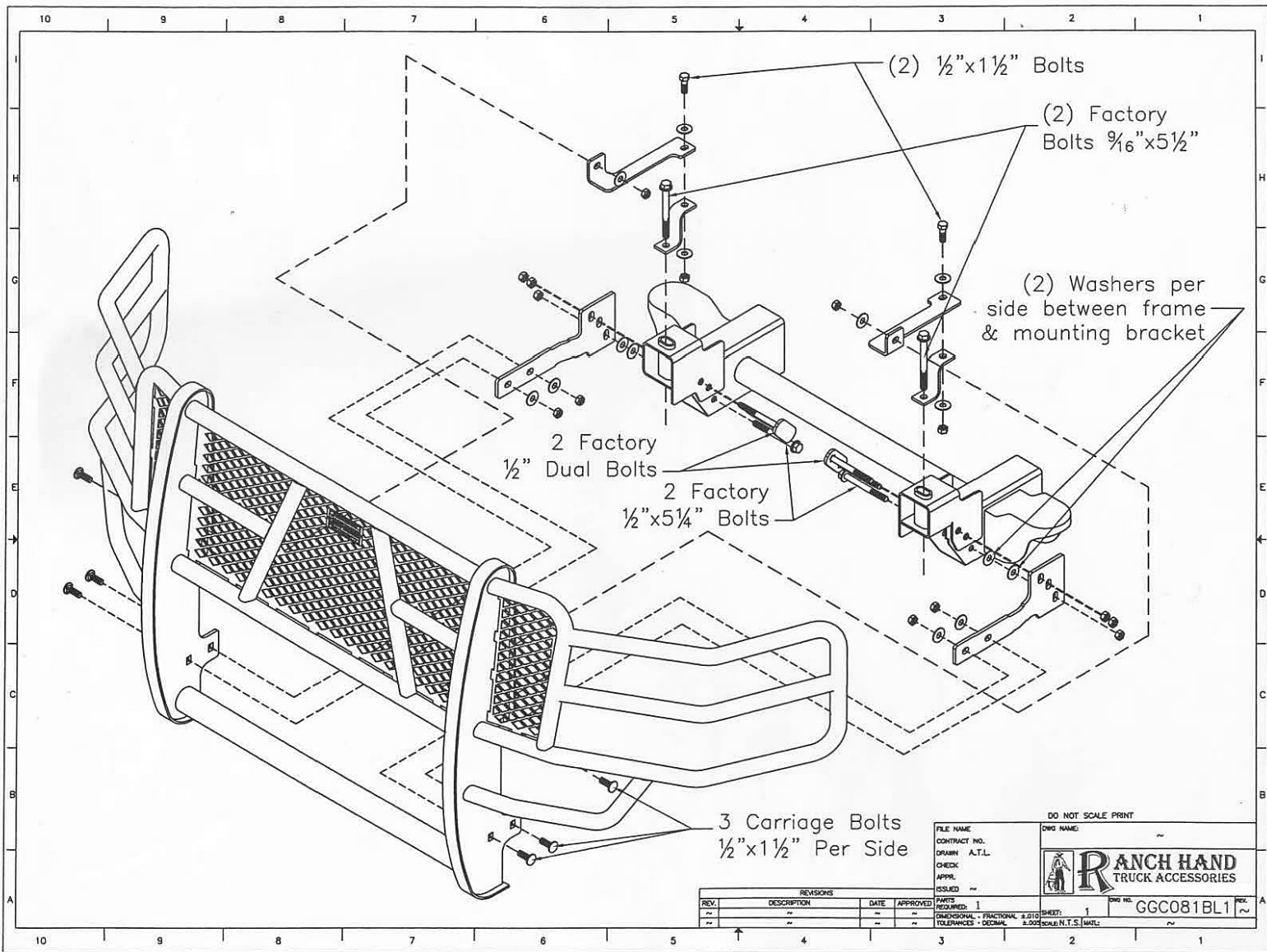
MAKE SURE ALL NUTS AND BOLTS ARE TIGHT!

----- WARNING -----

Special care should be exercised in the handling, storage and installation of Kaspar Ranch Hand equipment. The actual weight of each piece of equipment will vary depending on style and model. The weight of the equipment is sufficient in volume to warrant special care, assistance and in some instances, the use of mechanical equipment during the transfer and installation of the equipment.

Do not assume a position directly under the equipment during installation. Be sure the equipment has been connected and stabilized during installation to prevent falling or shifting of positions.

Periodically check tightness of bolts to make sure they are tight, and unlikely to fail.



DO NOT SCALE PRINT

FILE NAME	CONTRACT NO.	DWG NAME	REV.
DRAWN A.T.L.	CHECK	APPR.	ISSUED
PARTS REQUIRED: 1		DWG NO.	REV.
DIMENSIONAL - FRACTIONAL 3.010		SHEET:	1
TOLERANCES - DECIMAL 3.000		SCALE: N.T.S.	DATE:

RANCH HAND
TRUCK ACCESSORIES

DWG NO. **GGC081BL1** REV. **2**

REVISIONS			
REV.	DESCRIPTION	DATE	APPROVED
1			
2			
3			