

RANCH HAND

INSTALLATION INSTRUCTIONS

GRILL GUARD FOR:

2003 – 2007(Classic) CHEVY 1500

PART # GGC06HBL1

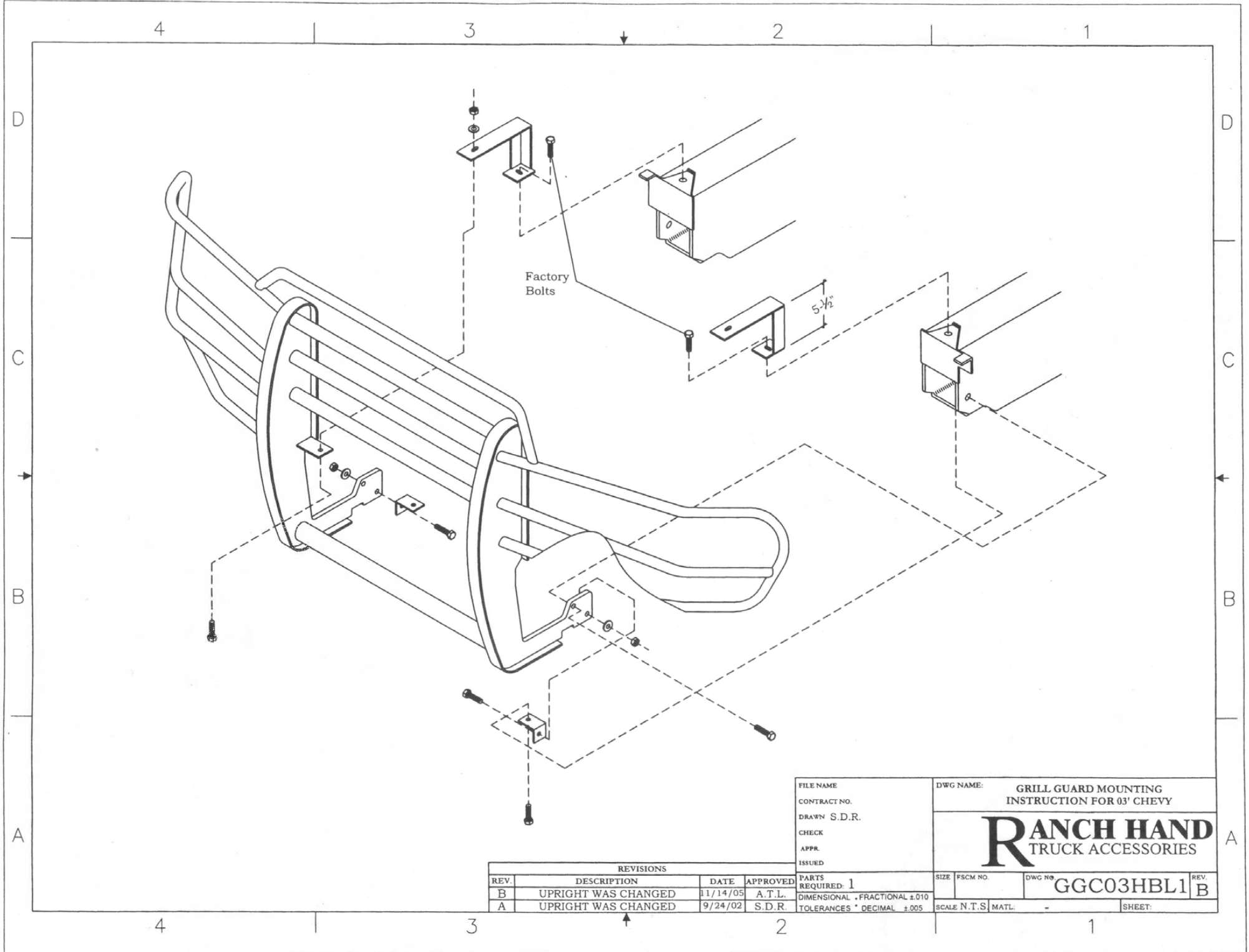
1. Open hood and remove plastic cover, then the factory grill. *Note: You can mount the top brackets from underneath the bumper.*
2. *Note: There is a driver and passenger top bracket. They should measure 5 ½” in height. Remove the top - factory bumper bolts and install brackets. Reinstall grill and plastic cover.*
3. Remove tow hooks if present. They will be reinstalled later. *Note: On the 2005 and 2006 models, remove the cover around the tow hooks.*
4. On some trucks, you may have to cut an opening in the bottom plastic of the bumper.
5. Slide the leg of the grill guard through the opening of the bumper.
6. Bolt the tabs of the grill guard to the top mounting brackets. Place bolts from bottom facing up. Hand tighten only.
7. Reinstall tow hooks, if present, into the frame and use factory bolts to mount upright and tow hook to frame. Use ½” bolts to mount upright to frame if no tow hooks. Hand tighten.
8. *Note: There is a driver and passenger angle iron bracket. Bolt angle iron to bottom hole of frame and then bolt bottom of grill guard to angle iron.*
9. Tighten bolts that mount grill guard to side of frame. Then tighten top mounting bracket bolts. *Note: You can raise grill guard by loosening side bolts of the grill guard and lift grill guard up and retighten bolts.*
10. Tighten angle iron bolts.
11. **MAKE SURE NUTS AND BOLTS ARE TIGHT!**

----- WARNING -----

Special care should be exercised in the handling, storage and installation of Kaspar Ranch Hand equipment.

The actual weight of each piece of equipment will vary depending on style and model. The weight of the equipment is sufficient in volume to warrant special care, assistance and in some instances, the use of mechanical equipment during the transfer and installation of the equipment. Do not assume a position directly under the equipment during installation. Be sure the equipment has been connected and stabilized during installation to prevent falling or shifting of positions.

Periodically check tightness of bolts to make sure they are tight, and unlikely to fail.



Factory Bolts

FILE NAME
 CONTRACT NO.
 DRAWN S.D.R.
 CHECK
 APPR.
 ISSUED

DWG NAME: GRILL GUARD MOUNTING
 INSTRUCTION FOR 03' CHEVY

RANCH HAND
 TRUCK ACCESSORIES

REVISIONS			
REV.	DESCRIPTION	DATE	APPROVED
B	UPRIGHT WAS CHANGED	11/14/05	A.T.L.
A	UPRIGHT WAS CHANGED	9/24/02	S.D.R.

PARTS
 REQUIRED: 1
 DIMENSIONAL - FRACTIONAL ±.010
 TOLERANCES * DECIMAL ±.005

SIZE	FSCM NO.	DWG NO.	REV.
		GGC03HBL1	B
SCALE N.T.S.		MATL.	SHEET: