



INSTALLATION INSTRUCTIONS

2007-13 TOYOTA TUNDRA SUMMIT FRONT BUMPERS

Part # FST07HBL1 / BST07HBL1

2014-up TOYOTA TUNDRA SUMMIT FRONT BUMPERS

Part # FST14HBL1 / BST14HBL1

** Will not directly mount on the Limited. Modification will have to be made to the factory bumper. **

1. Remove the three screws from under the center of the bumper.
2. Remove 1 push clip, from each side, that holds the lower plastic inner fender to the frame.
3. Remove two 10mm screws, from each side, from the bottom of the inner fender.
4. Unhook the light wires.
5. On the outer side of the frame, remove the three nuts.
6. Remove the one nut from the inner side of the frame.
7. Remove the bumper and the inner fender.
8. Install the fog lights into the fog light brackets.
9. Mount the Summit frontend by using the factory nuts along with the washers provided.
10. Center from side to side and tighten nuts.
11. Install the license plate with the two 1/4" bolts and nuts provided.
12. Install the bottom support brackets FST07HBBBP.
13. **MAKE SURE ALL NUTS AND BOLTS ARE TIGHT!**

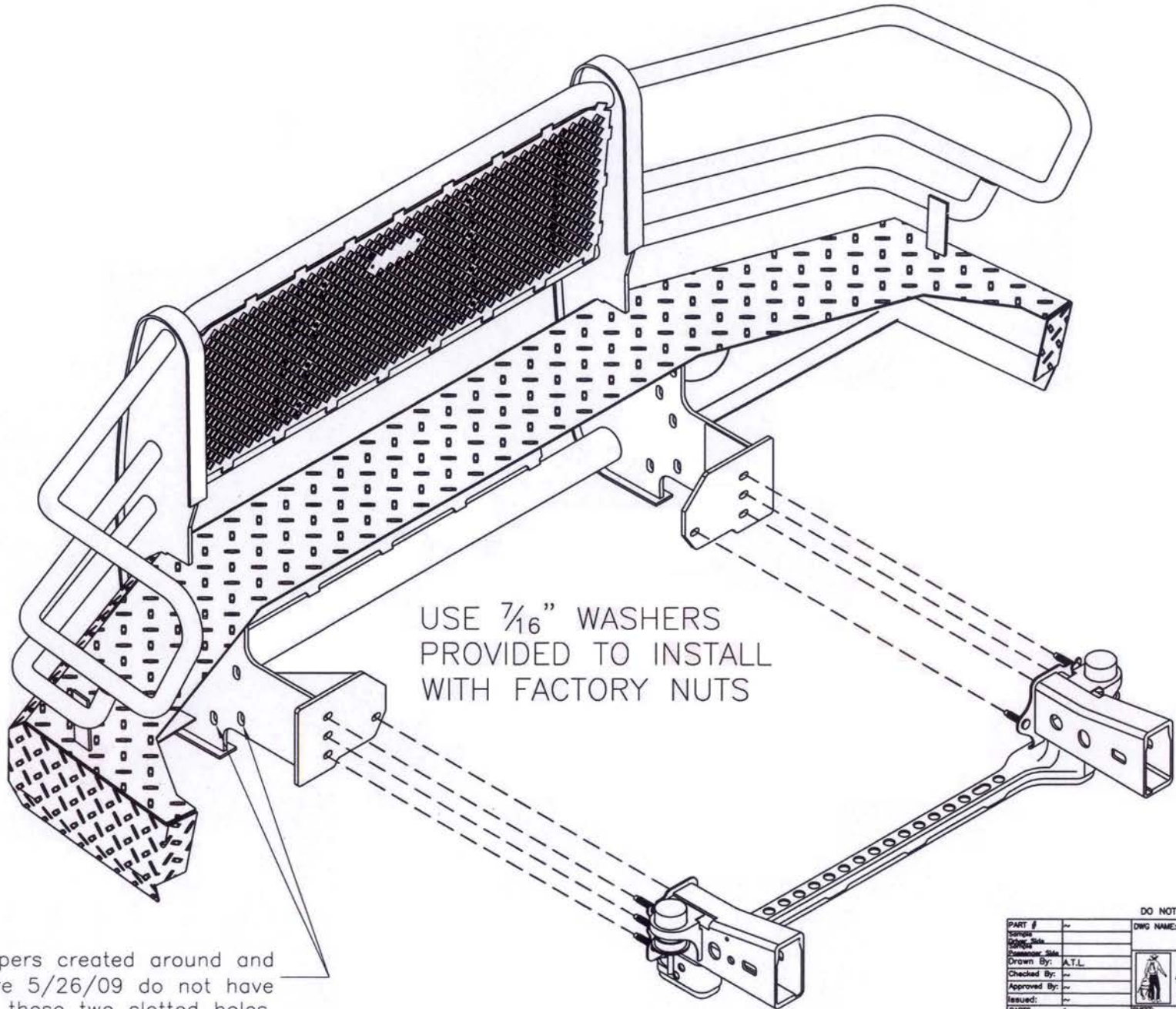
-----WARNING-----

Special care should be exercised in the handling, storage and installation of Kaspar Ranch Hand equipment.

The actual weight of each piece of equipment will vary depending on style and model. The weight of the equipment is sufficient in volume to warrant special care, assistance and in some instances, the use of mechanical equipment during the transfer and installation of the equipment.

Do not assume a position directly under the equipment during installation. Be sure the equipment has been connected and stabilized during installation to prevent falling or shifting of positions.


Periodically check tightness of bolts to make sure they are tight, and unlikely to fail.



USE 7/16" WASHERS
 PROVIDED TO INSTALL
 WITH FACTORY NUTS

Bumpers created around and
 before 5/26/09 do not have
 these two slotted holes.

DO NOT SCALE PRINT

PART #	---	DWG NAME:	MOUNTING INSTRUCTIONS FOR '07 TOYOTA 1/2 TON SUMMIT STYLE FRONT END REPLACEMENT					
Source	---	 RANCH HAND TRUCK ACCESSORIES	SHEET:	1	PART NO.	FST07HBL1	REV.	A
Customer S/N	---			REQUIRED:		1		
Drawn By:	A.T.L.	DIMENSIONAL - FRACTIONAL		±.010	TOLERANCES - DECIMAL		±.005	SCALE: N.T.S. MATL:
Checked By:	---	TOLERANCES - DECIMAL		±.005	SCALE: N.T.S. MATL:		---	
Approved By:	---							
Issued:	---							

Looking for dependable off-road bumpers?
 Rely on Ranch Hand for quality and long-lasting products.