



INSTALLATION INSTRUCTIONS

2015-up CHEVY 2500HD / 3500HD

PART # FBC151BLR / BTC151BLR / FSC151BL1

BSC151BL1

NOTE: YOU WILL HAVE TO CUT OFF A PORTION OF THE INNER FENDER WELL.

1. Open the hood and remove the plastic radiator cover. There will be (12) plastic clips.
2. Remove the (4) 10 mm bolts holding the grille in place. Carefully pry grille away from its position (10) snap clips.
3. Remove the factory side brackets. There will be (3) 15mm bolts on each side.
4. Remove the factory bumper by removing the two 18mm bolts from each side of the frame. They will be facing down.
5. Lay the bumper down then remove the sensor and fog light wires (if present) from the bumper. You will have to remove the (2) large black bumper support plates to remove sensors.
6. Reinstall the factory grille and plastic radiator cover.
7. Remove the two black bumper mounting plate by removing the (4) 15mm bolts. The bolts will be used to install the Ranch Hand Frontend.
8. Remove the side and bottom tow hook bolts. Mount the support brackets to the outer side of the frame rails. Reinstall factory bolts.
9. Install splash guard by removing (1) 10 mm bolt (see drawing for location). Place a 5/16" flat washer between the truck body and the splash guard. Reinstall factory bolt and use 5/16" bolt in the other hole.
10. For Legend frontends remove the outer sensor brackets from factory bumper. Install them into the bottom insert of the frontend.
11. If fog lights are present, mount them to the fog light brackets provided and then to the frontend. Follow instructions in LBC151BP to install.
12. Mount the frontend to the frame by reusing the 15mm factory bolts. Level the frontend and then tighten bolts. Use the 1/2" bolts to mount the frontend to the support brackets.
13. Mount the license plate using 1/4" bolts to the bottom grille insert.
14. Hook up the sensor and fog light wires. You can run them through the square opening in the mounting brackets just below the top plate. Adjust the lights and sensors if needed.
15. ***MAKE SURE ALL NUTS AND BOLTS ARE TIGHT!***

----- WARNING -----

Special care should be exercised in the handling, storage and installation of Kaspar Ranch Hand equipment. The actual weight of each piece of equipment will vary depending on style and model. The weight of the equipment is sufficient in volume to warrant special care, assistance and in some instances, the use of mechanical equipment during the transfer and installation of the equipment.

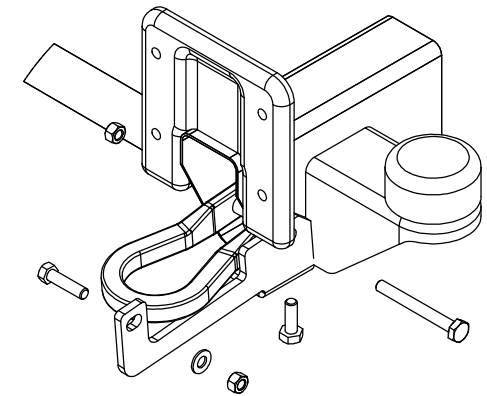
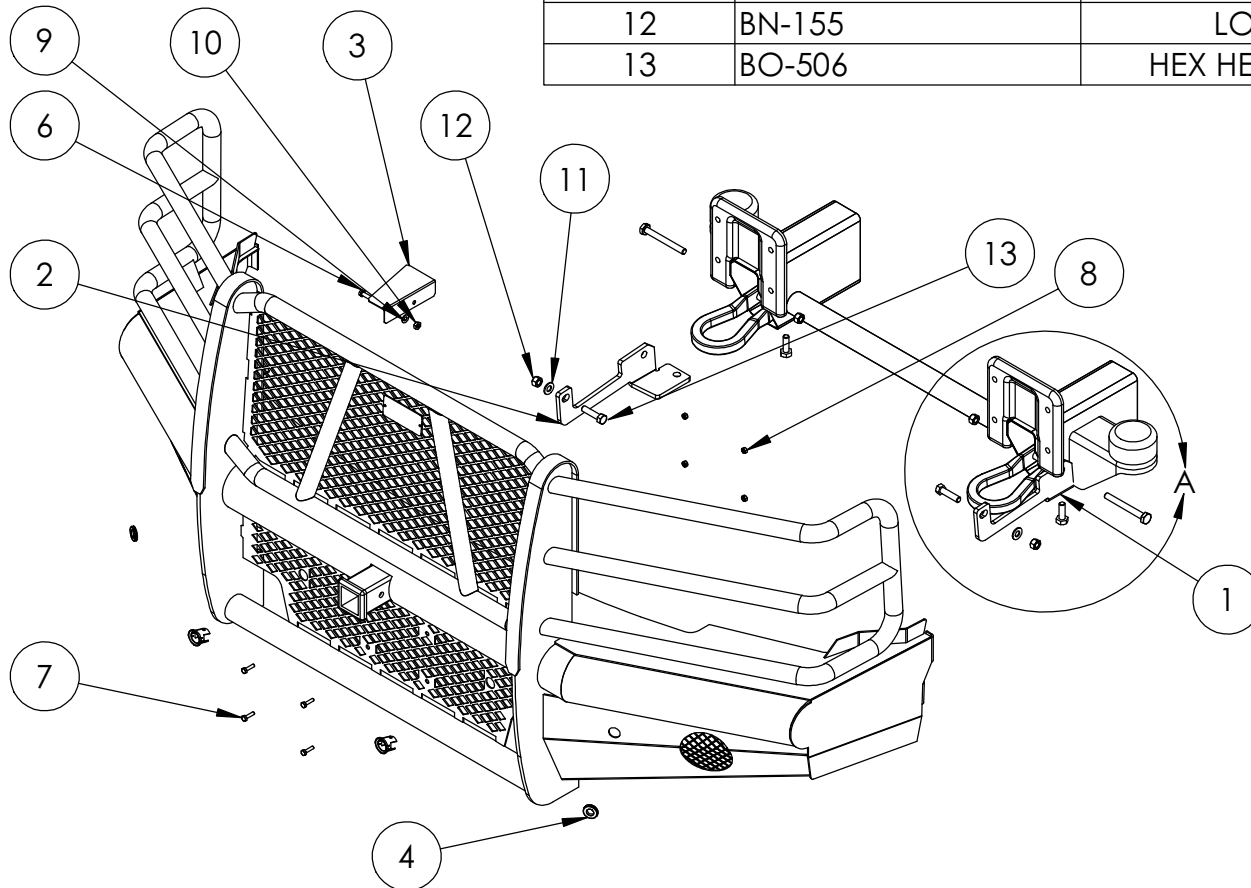
Do not assume a position directly under the equipment during installation. Be sure the equipment has been connected and stabilized during installation to prevent falling or shifting of positions.

Periodically check tightness of bolts to make sure they are tight, and unlikely to fail.

FBC151BLR



ITEM NO.	PART NUMBER	DESCRIPTION	QTY.
1	FBC151SDBDL	MOUNTING BRACKET DRIVER	1
2	FBC151SBPBL	MOUNTING BRACKET PASSENGER	1
3	FBC151SGBL	SPLASH GUARD	1
4	RGROMMET 1" X .8125	RUBBER GROMMET	4
5	BP-428	BUTTON PLUG	4
6	BO-136	HEX HEAD BOLT 5/16"-18 X 1"	1
7	BO-459	HEX HEAD BOLT 1/4"- 20 X 1"	4
8	BN-36	KEP NUT 1/4"- 20	4
9	BH-166	FLAT WASHER 5/16"	4
10	BN-17	HEX NUT 5/16"- 18	1
11	BH-154	FLAT WASHER 1/2"	4
12	BN-155	LOCK NUT 1/2" - 13	2
13	BO-506	HEX HEAD BOLT 1/2"-13 X 2"	2



DETAIL A
SCALE 1 : 8