

This bolt (on each side) only bolts thru bumper frame.

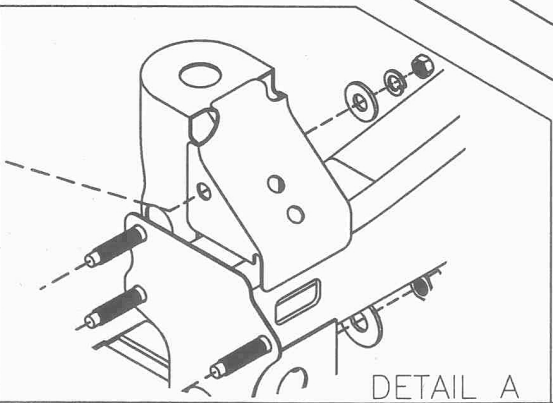
Spacer

$\frac{3}{8}$ " x 4" Bolt

$\frac{1}{2}$ " x 4 $\frac{1}{2}$ " Bolt

$\frac{3}{8}$ " x 4" Bolt

$\frac{1}{2}$ " x 4 $\frac{1}{2}$ " Bolt



DO NOT SCALE PRINT

PART #		DWG NAME:	MOUNTING INSTRUCTIONS FOR
DATE			'05 MIDSIZE TOYOTA TACOMA GRILL GUARD
DESIGNED BY			
DRAWN BY	A.T.L.		
CHECKED BY			
APPROVED BY			
ISSUED			
PARTS REQUIRED:	1	SHEET:	ORHO 0090 No.
DIMENSIONAL - FRACTIONAL	±.010	REVIEWS	GGT05MBL1
TOLERANCES - DECIMAL	±.005	SCALE:	N.T.S. MATL:

