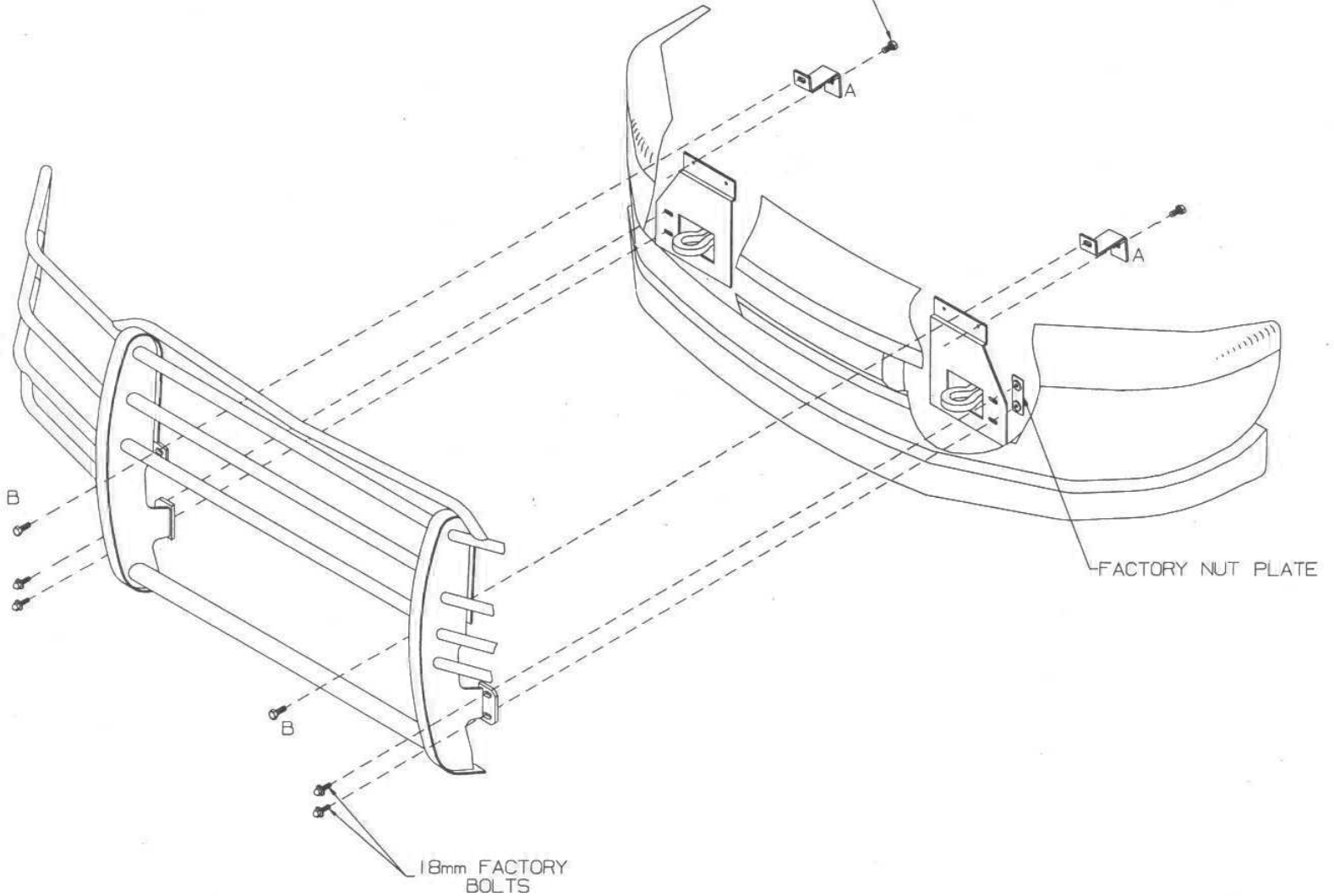


USE TWO OUTSIDE BUMPER BOLTS
TO INSTALL TOP MOUNTING BRACKET.



DO NOT SCALE PRINT

F					DR.	BJJ 5-25-01	KASPAR WIRE WORKS INC.
E					CHKD.		
D						SCALE: NTS	NAME: 99 FORD SUPER DUTY GRILL
C						APPROVED	GUARD MOUNTING INSTRUCTIONS
B					KRH		
A					GGF99SEL		
LET.	REVISIONS	DATE	USED ON	REQ.	SUPERSEDES:		DIMENSIONAL TOLERANCES : FRACTION ±.010; DECIMAL ±.005 UNLESS OTHERWISE SPECIFIED