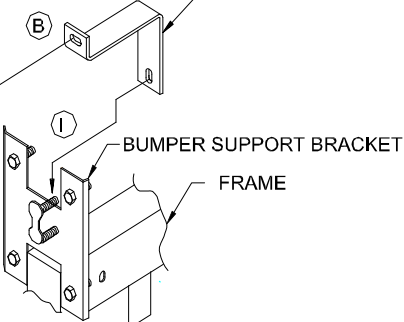


BILL OF MATERIALS		
LETTER	QUANTITY	DESCRIPTION
A	1	GRILL - GGF-994BL1
B	1	DRIVER'S SIDE MOUNTING BRACKET
C	1	PASSENGER'S SIDE MOUNTING BRACKET
D	4	FACTORY BOLTS
E	2	#5 - 1/2"-13 X 1 1/2" HEX HEAD BOLT
F	2	#5 - 1/2" O.D. L.W. (NOT SHOWN)
G	4	#5 - 1/2" X 1 3/8" O.D. F.W. (NOT SHOWN)
H	2	#5 - 1/2"-13 NUT (NOT SHOWN)

ATTACH THE MOUNTING BRACKET TO THE TOP STATIONARY BOLT ON THE BUMPER SUPPORT BRACKET.



BOTTOM MOUNTING BRACKET FITS INTO SLOT IN THE AIR DAM.

FILE NAME	DWG NAME: 99' FORD 4 x 4 GRILL GUARD MOUNTING INSTRUCTIONS
CONTRACT NO.	
DRAWN T.R.P.	
CHECK	
APPR.	
ISSUED	
PARTS REQUIRED: 1	DWG NO: GGF994BL1
REVISIONS	SHEET: 1 OF 1
REV. DESCRIPTION DATE APPROVED	SCALE: N.T.S. MATL: ~
- - - - -	