

Installation Instructions

07-18 Jeep Wrangler JK

I-990235 Rev.1



Trailview Tonneau Top™

For proper installation and best possible fit, please read all instructions BEFORE you begin.

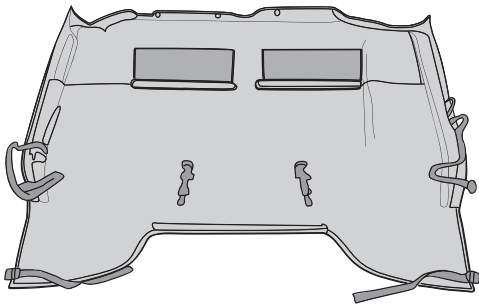
Important Safety Information



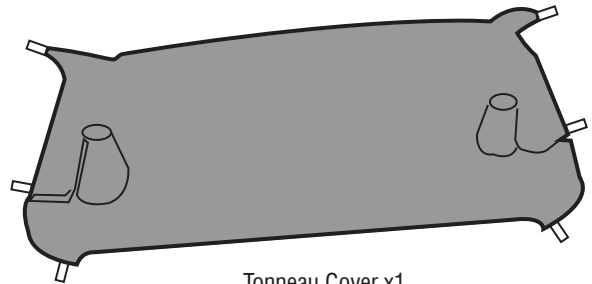
- Periodically check all components for tightness.
- Be sure to wear safety goggles while installing.
- When using power tools, read and understand all operating instructions.

Contents

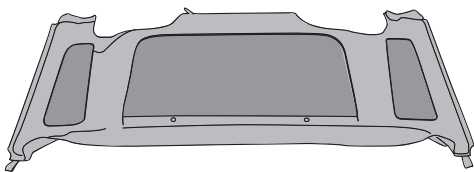
NOTE: Actual product may vary from illustration.



TrailView Main Deck x1



Tonneau Cover x1



Back Window x1



Self Tap Screw x4



Hinge Plate LH x1



Hinge Plate RH x1



Retainer Tailgate Bar x2



Retainer Tailgate Plastic x2



Tailgate Bar x1



Tailgate Seal x1



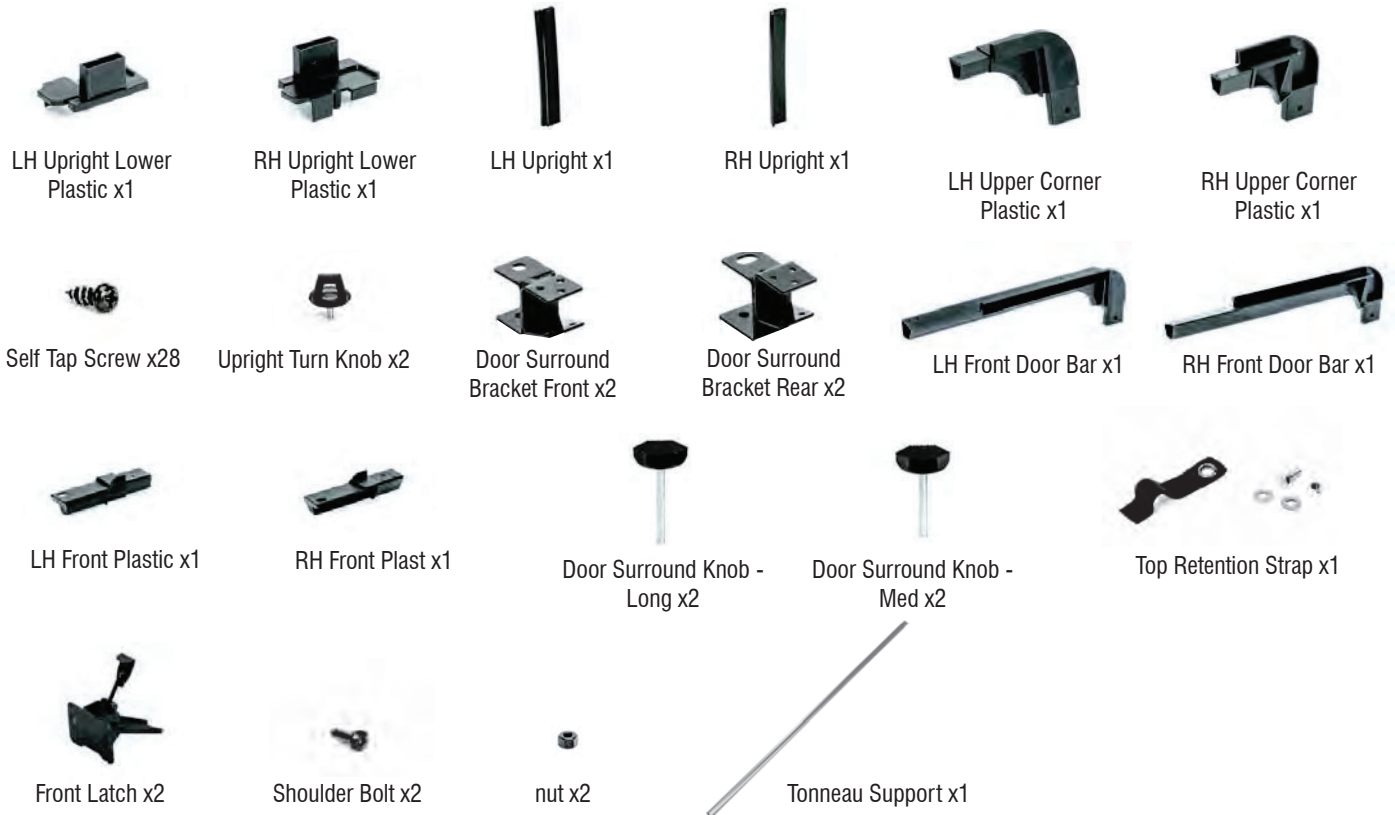
Puddle Poles x2



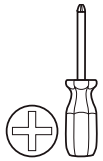
Flip Top Hardware x1

Contents cont.

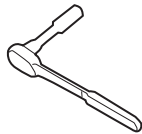
NOTE: Actual product may vary from illustration.



Tools Required



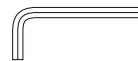
Phillips Screwdriver



Ratchet and extensions



Torx Bit
T25



Allen Wrench



Safety Glasses

Pre-Installation Requirements



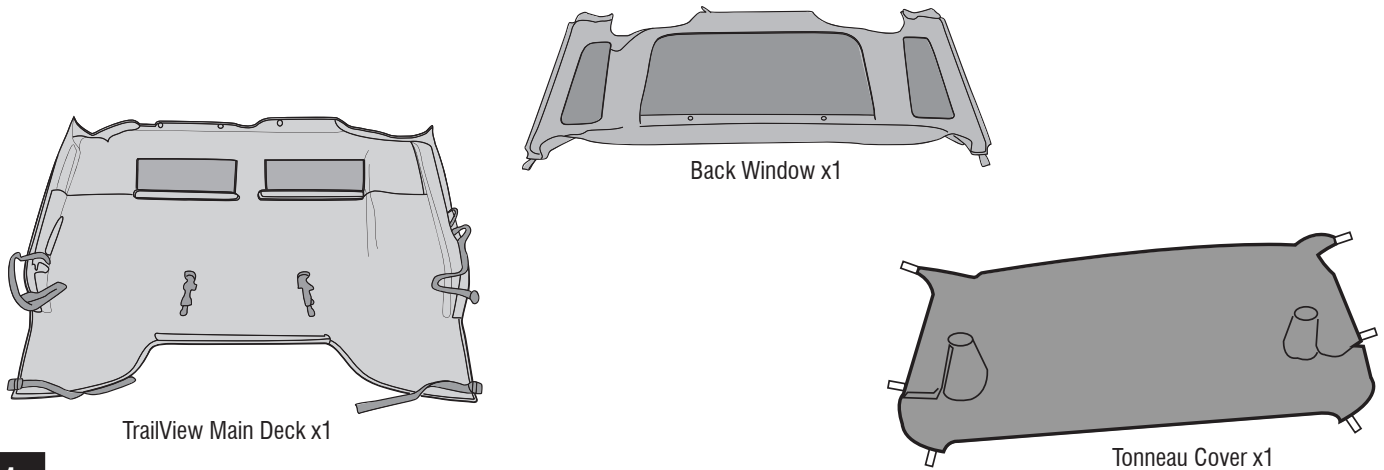
• Remove existing hard or soft top. For OEM (original/factory) soft tops, also remove:

- Windshield header bar
- Tube frame hardware from roll bar
- Side door surrounds
- Rear window, tailgate bar, tailgate clips

• For correct installation, mounting surface of part should be between 70-95° F (21-35° C) prior to installation.

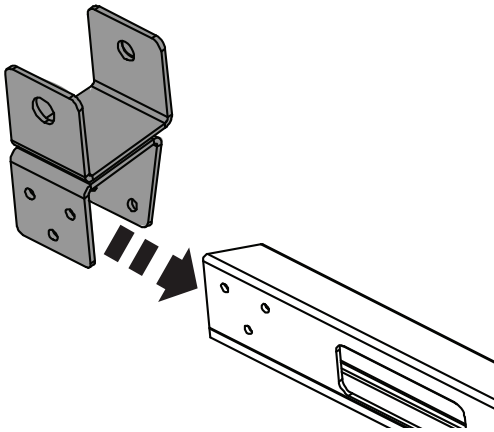
Installation Steps NOTE: Actual product may vary from illustration.

Important: For a smooth fit and ease of installation, this top should be installed at temperatures above 72 degrees. Below this temperature, the fabric may contract an inch or more making it difficult to install. We highly recommend taking your new TrailView Tonneau Top™ out of the package and letting it sit inside a warm place or in direct sun light for 1-2 hours before you install the top. When warm, this top will install quickly.



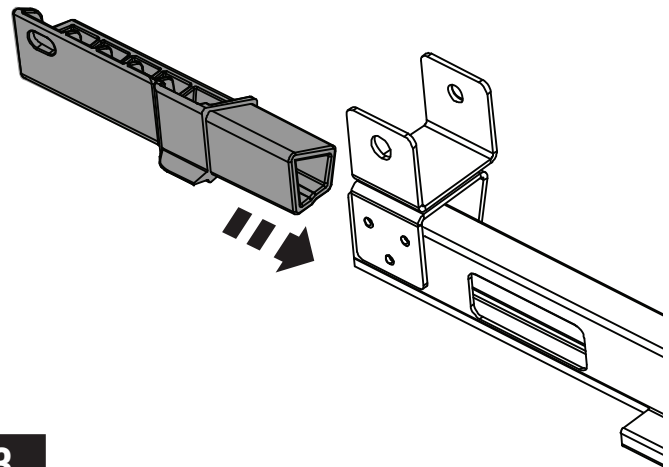
1

Install driver's door surround. Slide front bracket onto front extrusion as shown below.



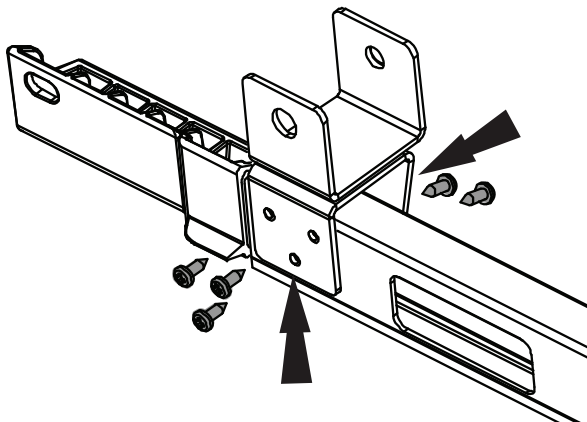
2 TIP: Driver's side pieces are sealed in green plastic packaging. Passenger's side pieces are sealed in clear plastic packaging.

Push front plastic insert into front section of door surround.



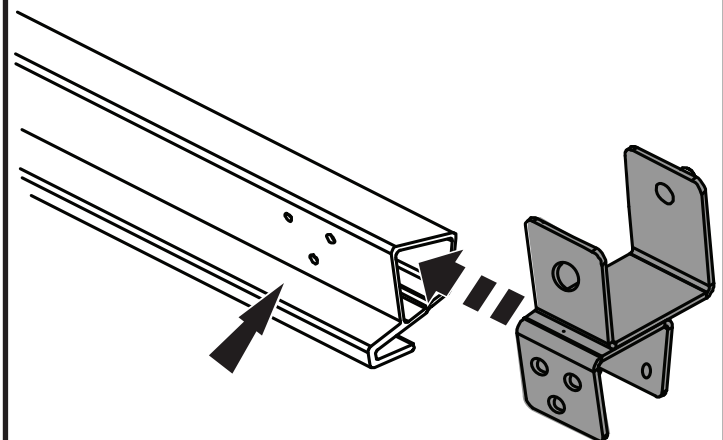
3

Secure all pieces with 5 small self-drilling screws.



4

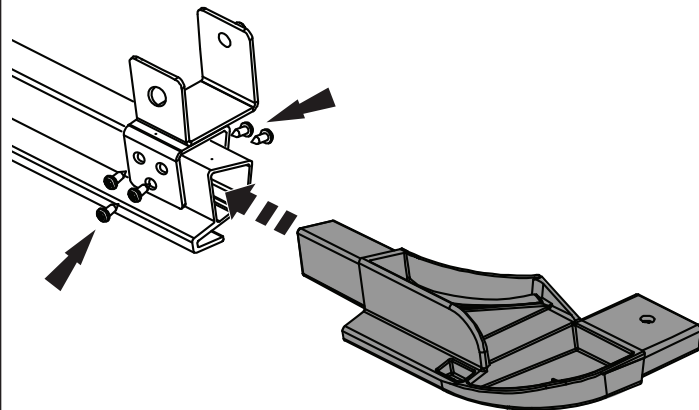
Slide the rear bracket onto the rear surround section.



5

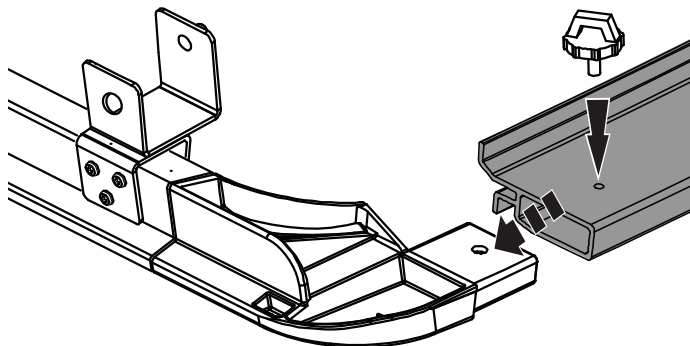
Installation Steps

Insert corner piece of vertical upright into assembled front and rear surround parts with 5 screws.



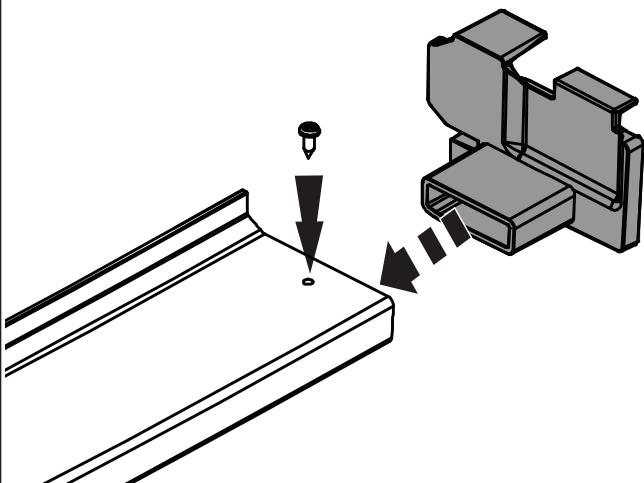
6

Install vertical extrusion to upper corner part with a small turn-knob screw.



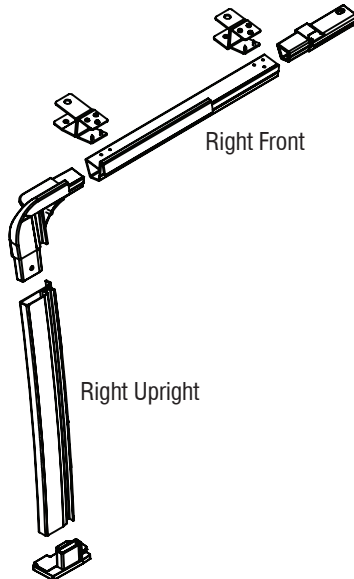
7

Install door surround base part into vertical extrusion with a self-drilling screw.



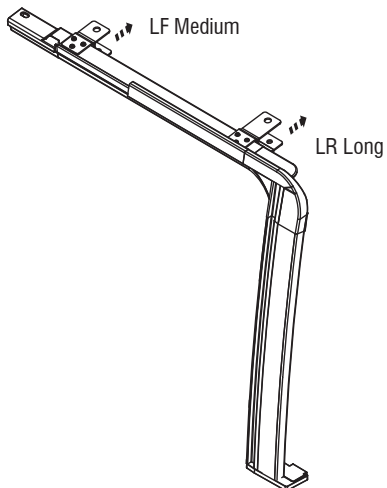
8

Repeat this section (steps 2-10) to assemble passenger's side door surround.



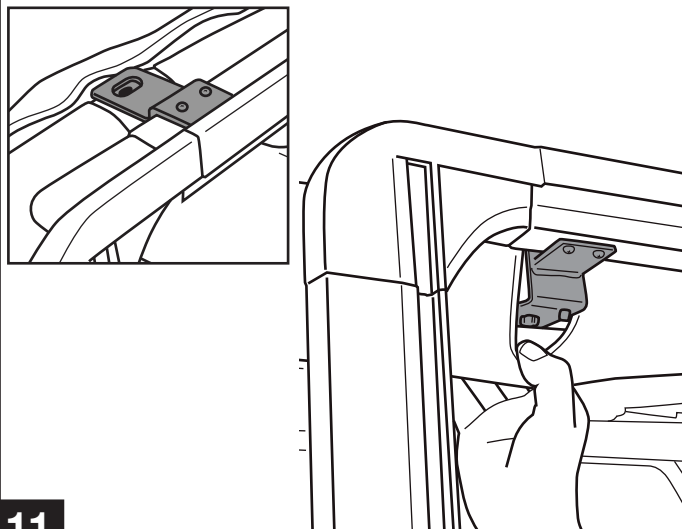
9

Install Door surround onto the roll cage. Insert door surround knobs. Long Rear (LR) knob at the rear. Long Front medium (LF) knob at the front and the Small (SM) knob into the middle hole.



10 TIP: Do Not fully tighten turns knob at this time.

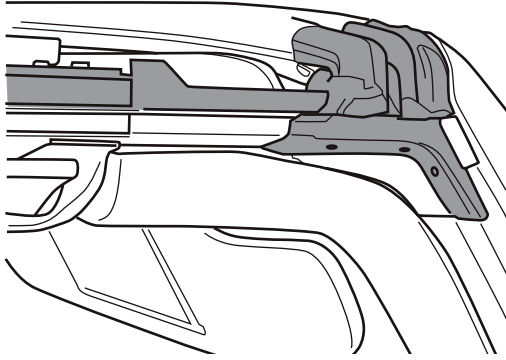
Lift roll bar pad as shown for bracket clearance over the roll bar.



11

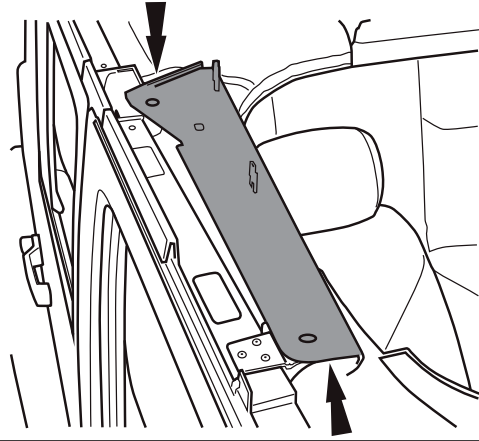
Installation Steps

TIP: Make sure the rubber gasket at the top of the windshield is correctly sealed against the front surround section. See photo below for proper fit:



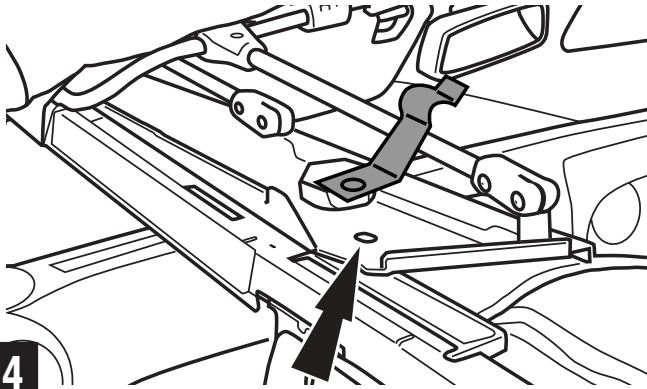
12

Fit door surround mount plate on top of door surrounds.



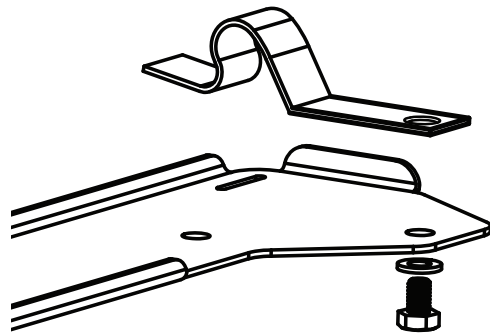
13

Fit retention strap to driver side door surround mount plate on top of rear hole in mount plate to hold tube when top is open.



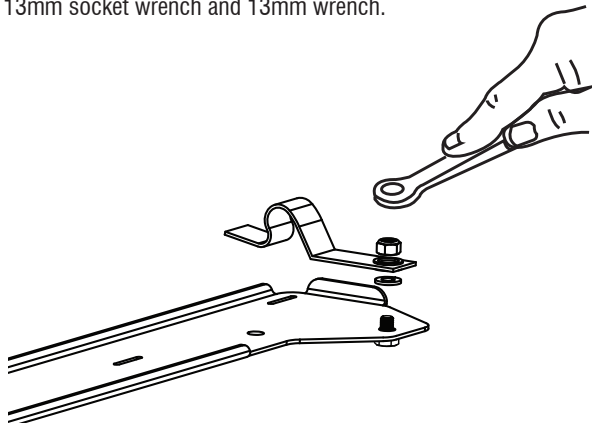
14

Put the retention strap in place with the bolt and washer through the grommet as shown.



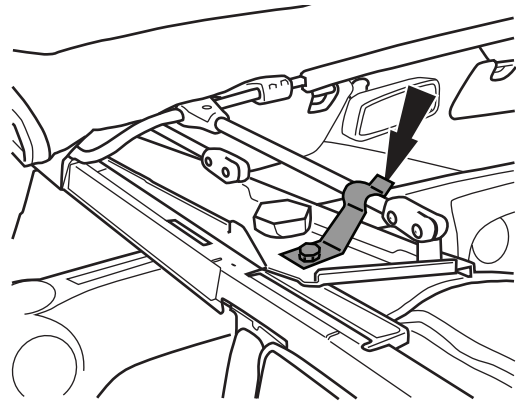
15

Next, install the 2nd washer and Nylock nut on top of the strap and snug with a 13mm socket wrench and 13mm wrench.



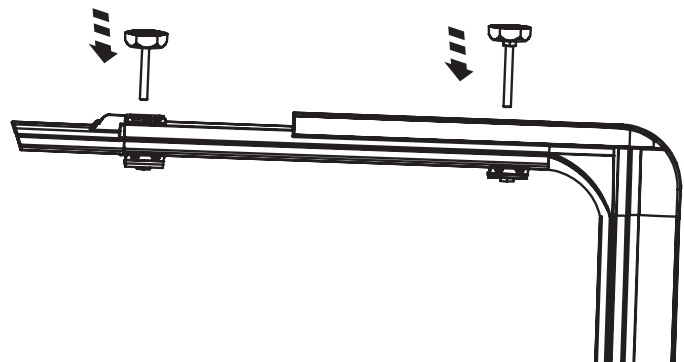
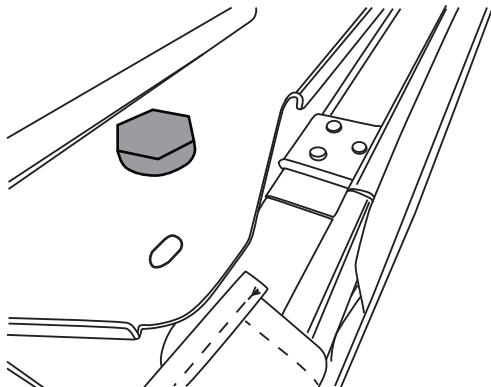
16

When the top is in the folded back position reach up and hook the retention strap over the bar as shown.



17

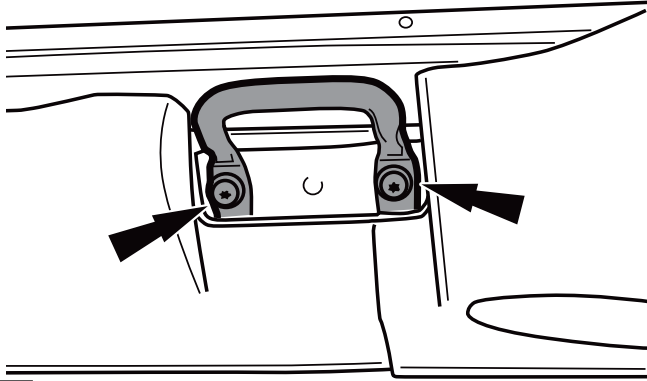
Tighten all door surround knobs into door surround assembly at this time as shown below. Repeat steps on right side.



18

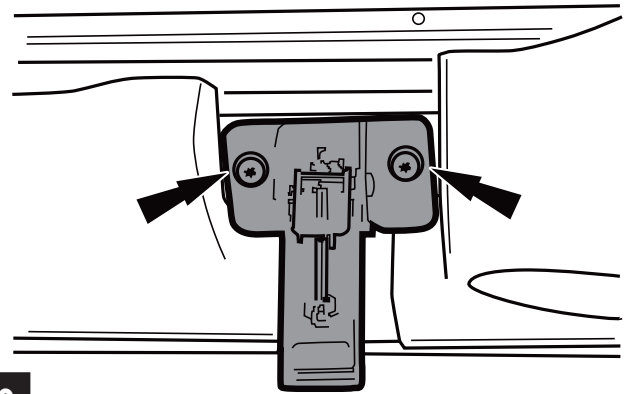
Installation Steps

Using a Torx T25 bit to remove the foot man loop from the windshield on both the driver's and passenger's side. Save screws for re-use.



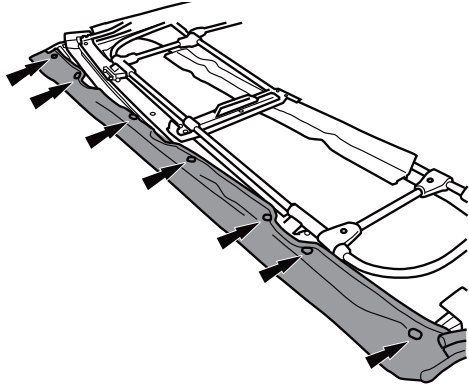
19

Place provided latch as shown and reattach with the Torx T25 screw from the previous step. Repeat Step 19, 20 for the other side.



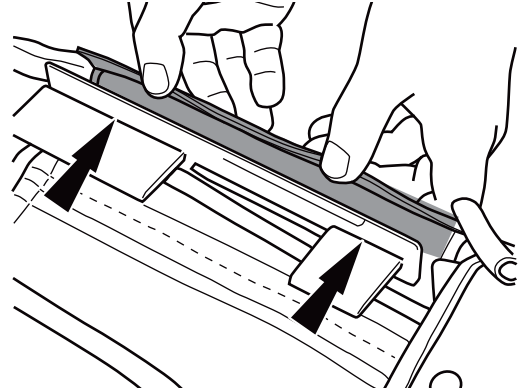
20

Fold back the hardware tubes of the header channel assembly then install the main deck fabric. Secure with snaps as shown.



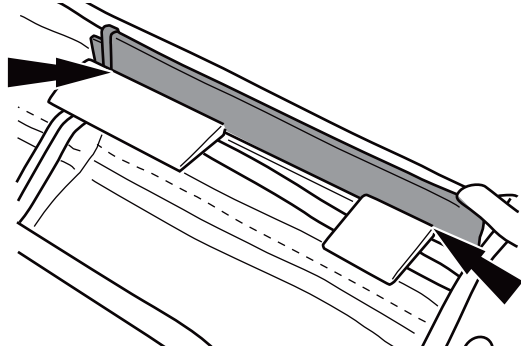
21

Tuck the plastic strip behind latches, and along side rails. See photo below for proper fit.



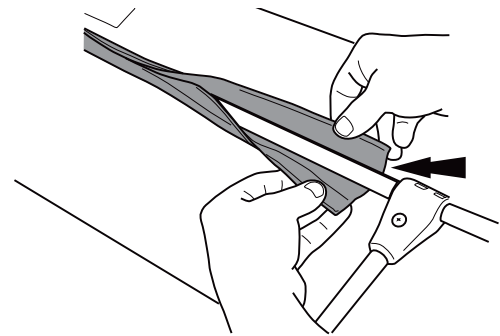
22

Tuck the plastic strip behind metal tabs and along side rails. Plastic strip will tuck between the metal sides.



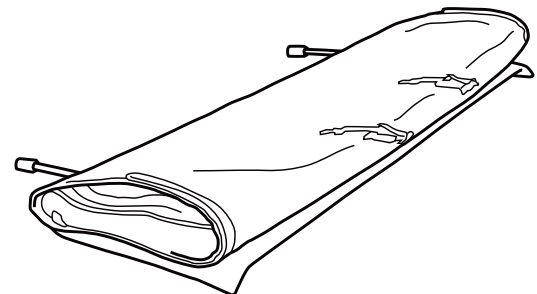
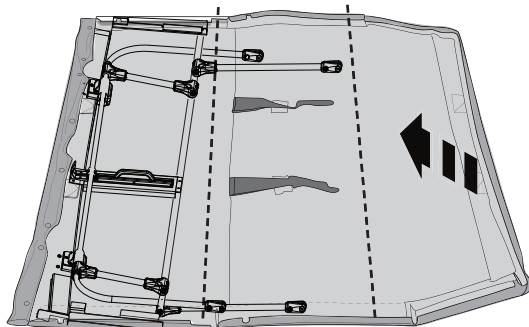
23

Secure the Flip Top Header Assembly to the Soft Top Deck by engaging the Hook and loop flap around the tube.



24

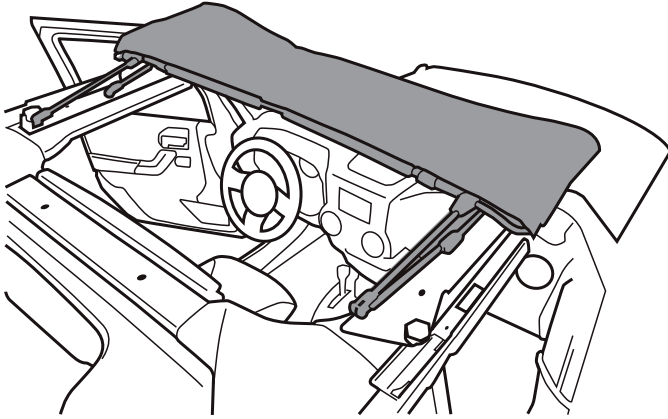
Roll up the Soft Top Deck to make installation to the Flip Top Plates more manageable.



25 TIP: It may be helpful to have a second person for this step. Place the top face down and re-fold, beginning with the rear portion.

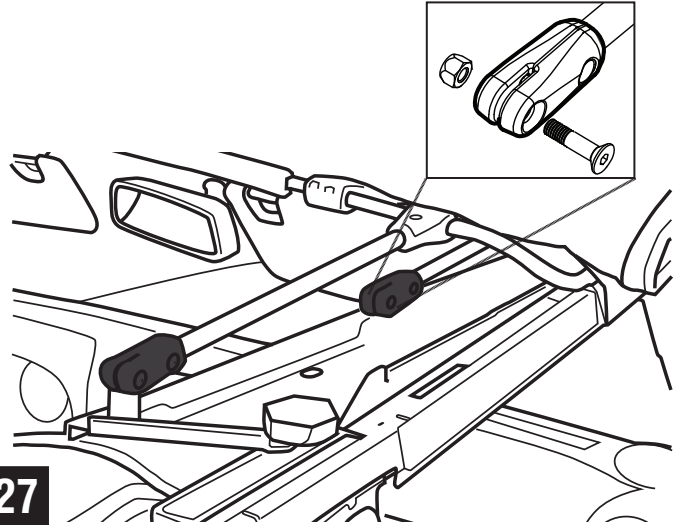
Installation Steps

Lift the Trail view soft top and header channel assembly onto the windshield gasket. 2 person help makes this easier.



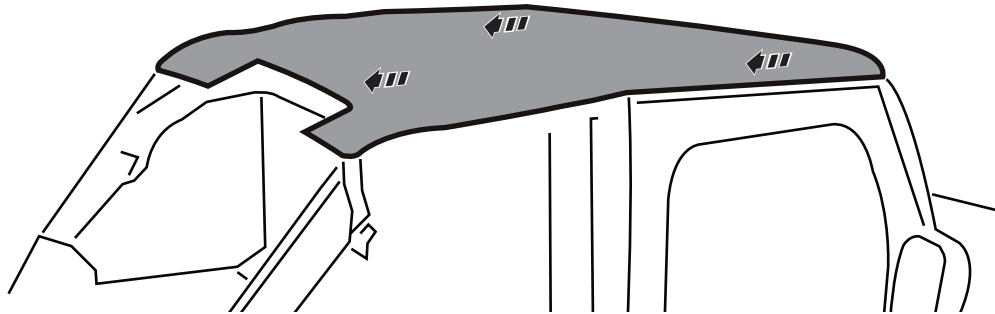
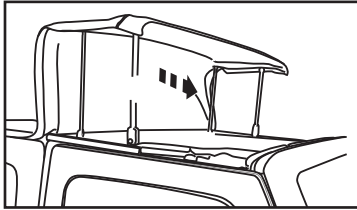
26

Place pivot tubes over the mount hing plate. Install shoulder bolt and nut using allen key wrench. Nut goes to inside of vehicle and fits into plastic.



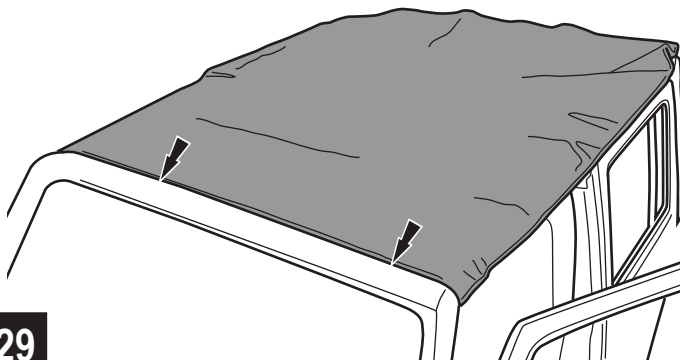
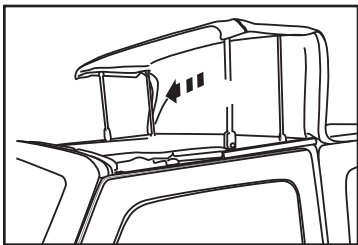
27

Un-Fold the Trail view Tonneau main deck fabric over the top of the roll cage and in place.



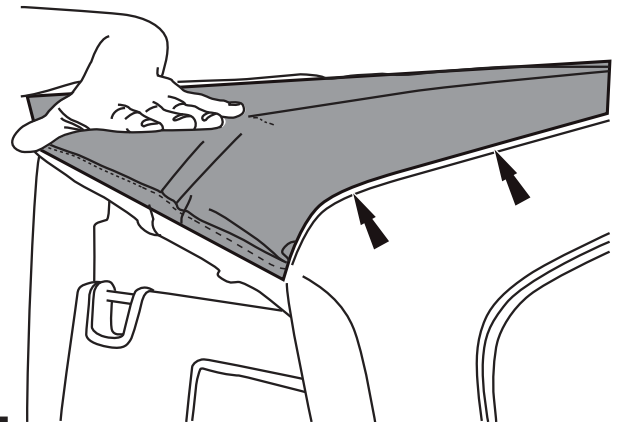
28

Close the top toward the windshield.



29

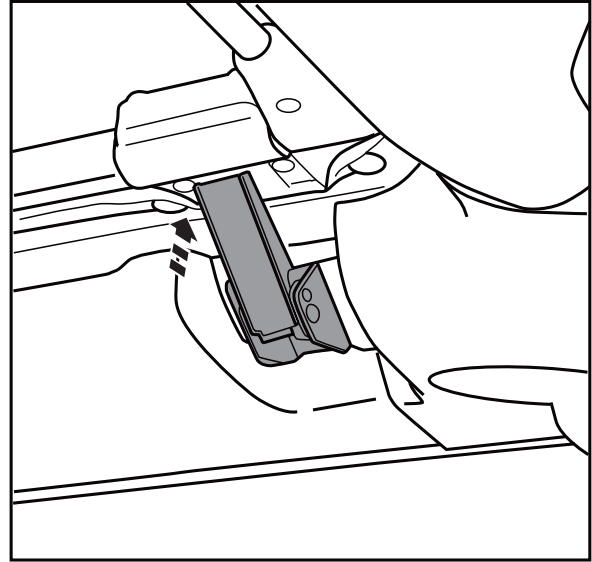
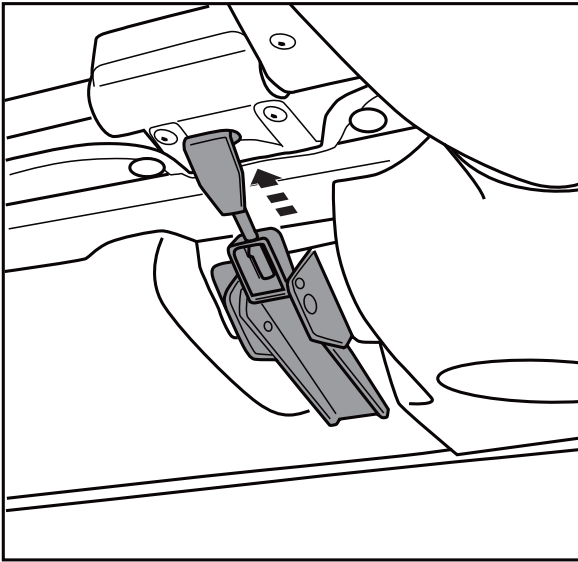
Check the front edge to windshield edge lines up to windshield seal



30

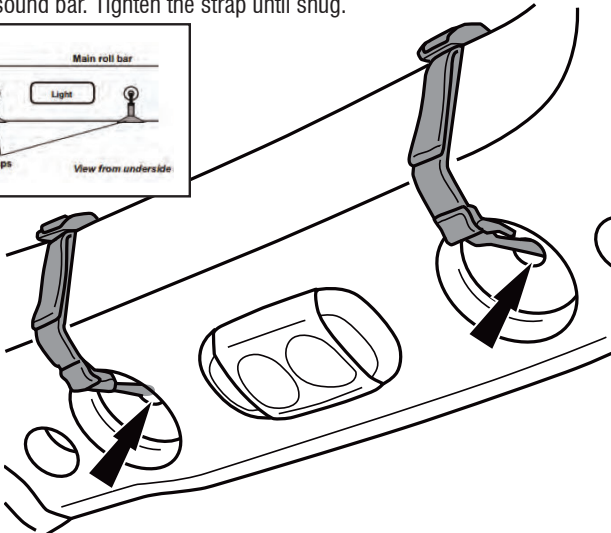
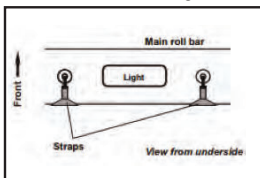
Installation Steps

Attach the latch to the metal flange. Adjust the hook to fit with slight tension when latch is closed. Tip: Turn screw for tighter latch.



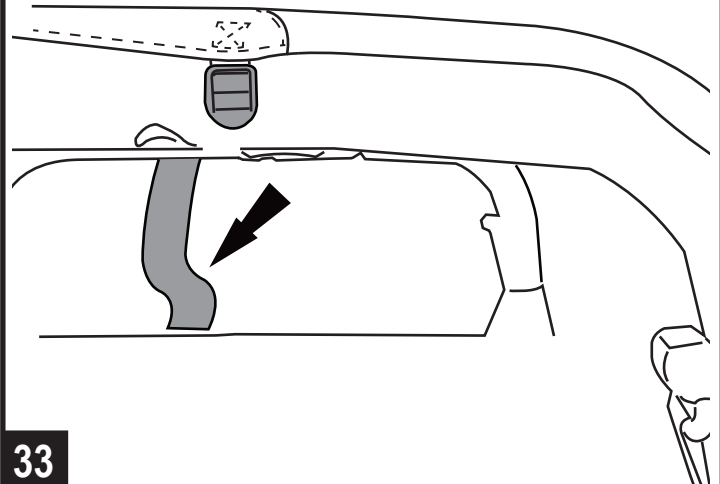
31

Wrap the 2 straps attached to the main section of fabric around the rear-middle of the sound bar. Insert plastic hooks into the holes on the underside of the sound bar. Tighten the strap until snug.



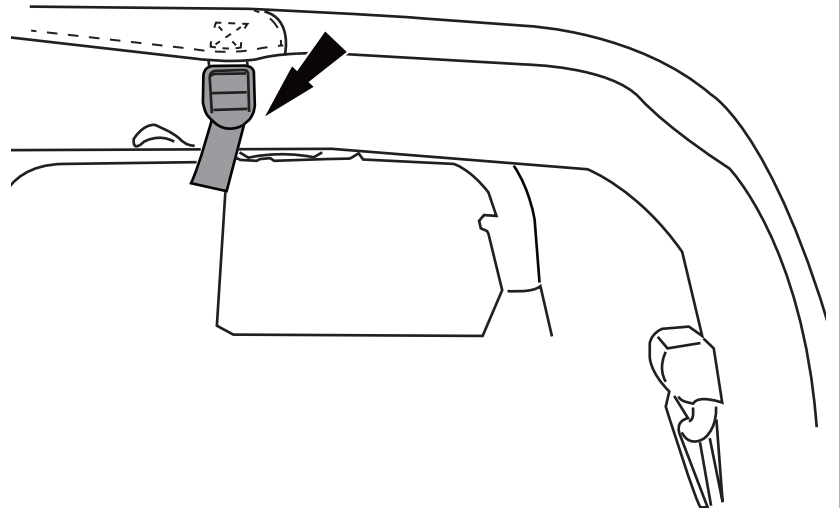
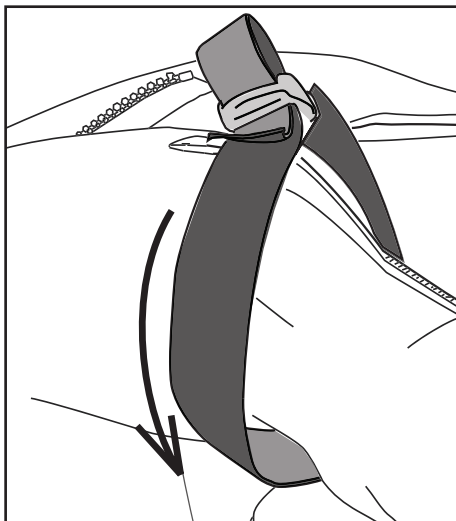
32

Locate the ceiling adjustment straps at the corners of the ceiling panel. Wrap the straps around the roll bar oward the inside of the Jeep, then back up to the strap adjustment buckle.



33

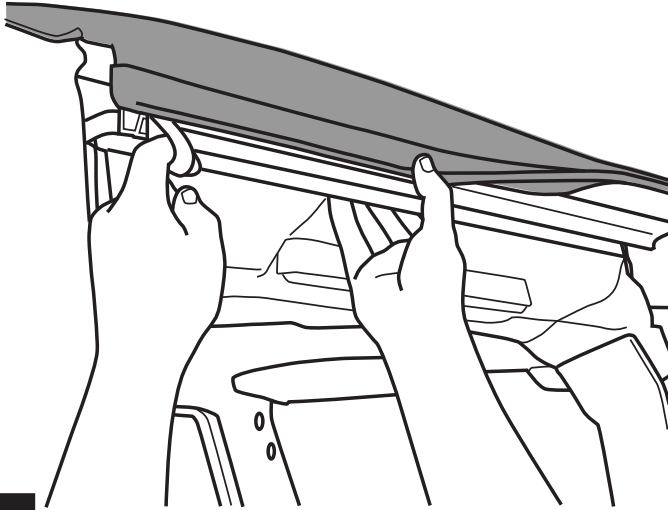
Wrap the straps around the roll bar oward the inside of the Jeep, then back up to the strap adjustment buckle. Tighten and repeat for the passenger side. Adjust each side to position the top evenly.



34

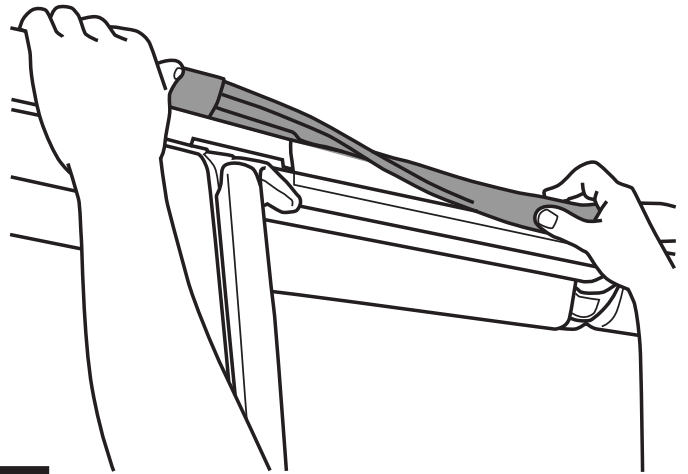
Installation Steps

Attach the main deck belt rail plastic into the upper door surround sides from front to back. Start at the windshield header.



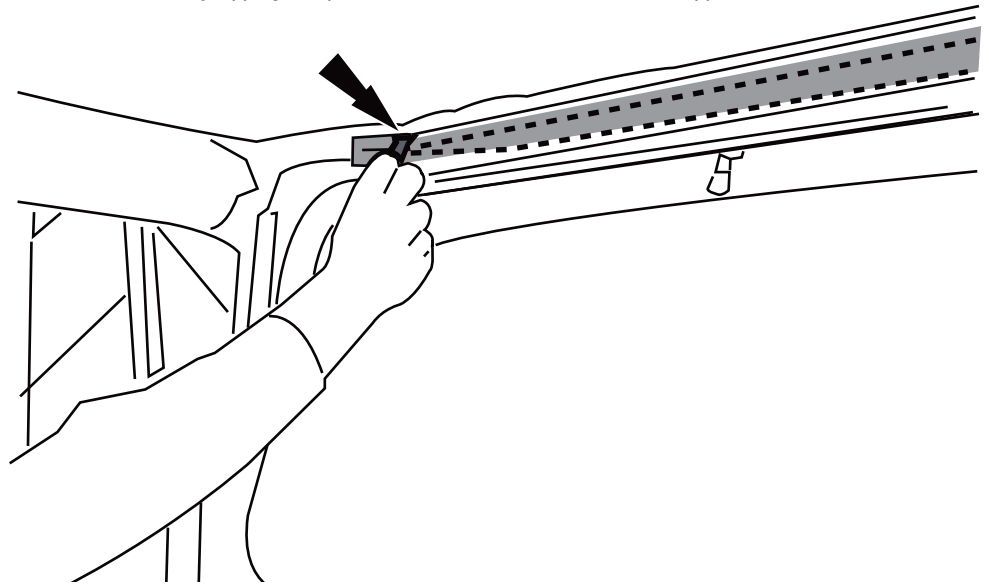
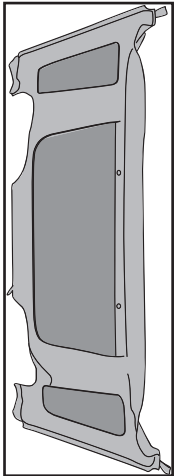
35

Continue fastening the upper side tuck strips of the main deck until the top is fully attached all around the door surrounds.



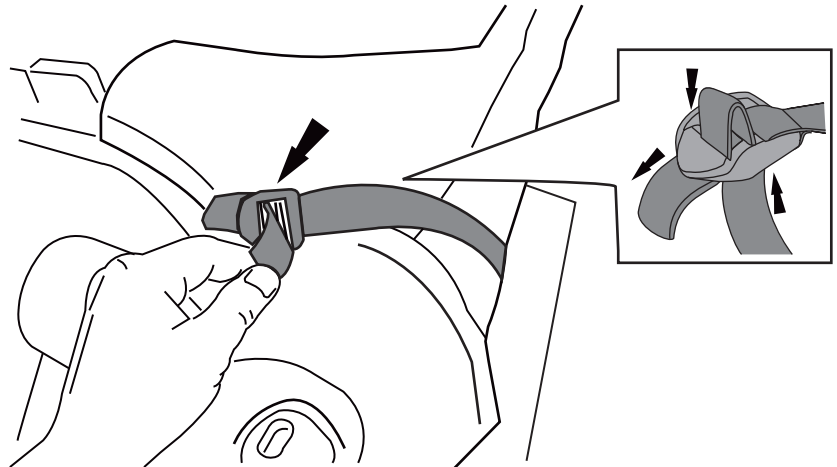
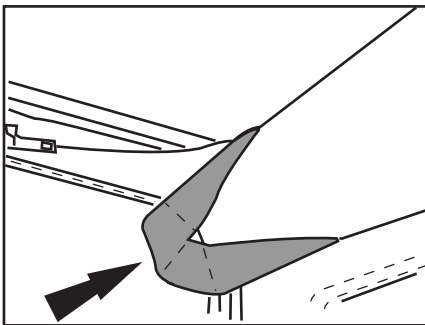
36

Attach zippers from the back window to the main cover fabric by zipping into place. Access from the inside to start zipper.



37

Locate the side straps at the upper corners of the back window. Connect and tighten the straps around the sport bar, thread the end through the buckle as shown.

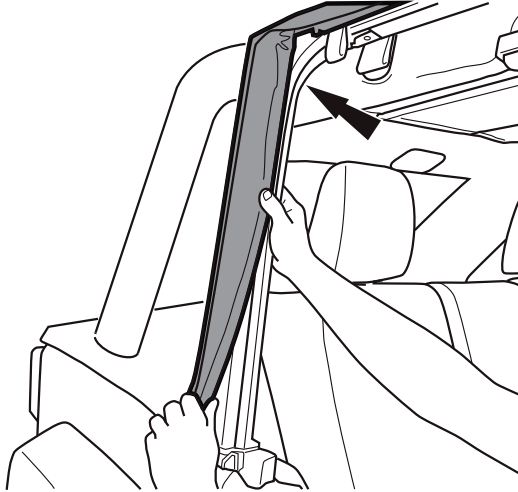


38 Note: Straps should be snug and can be tighten later to properly mount.

Installation Steps

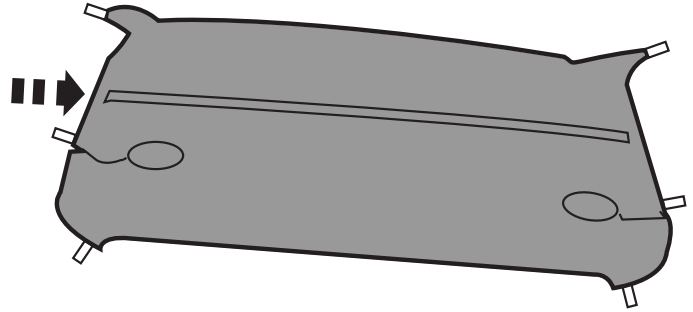
Tuck rear window sides into the door surround sides by sliding the plastic backing into the door surround as shown. Repeat on other side.

Tip: Start at the top and work your way down. Then tuck in small tab at bottom.



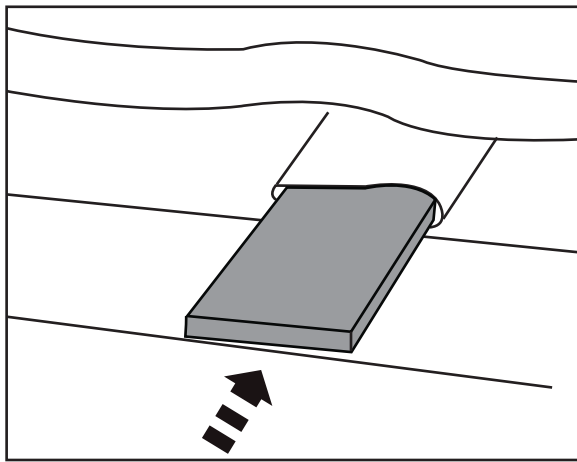
39

Lay the Tonneau cover upside down to access support bow sleeve.



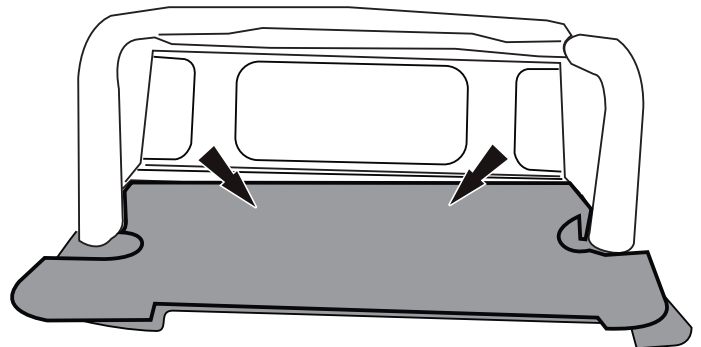
40

Insert Tonneau cover support bow into pocket sleeve.



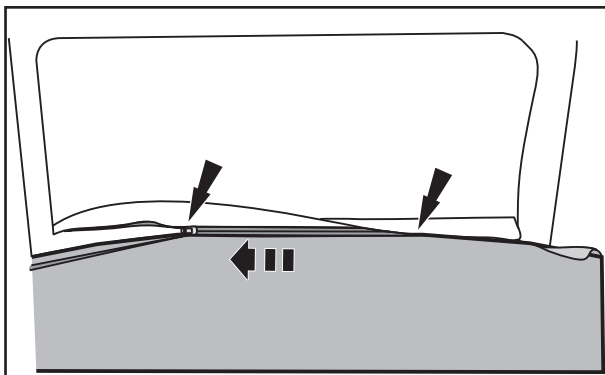
41

Lay the Tonneau cover loosely over the rear of the vehicle tub. Locate the zipper start on the passenger side at the bottom of the back window and zip the tonneau cover to the back window.



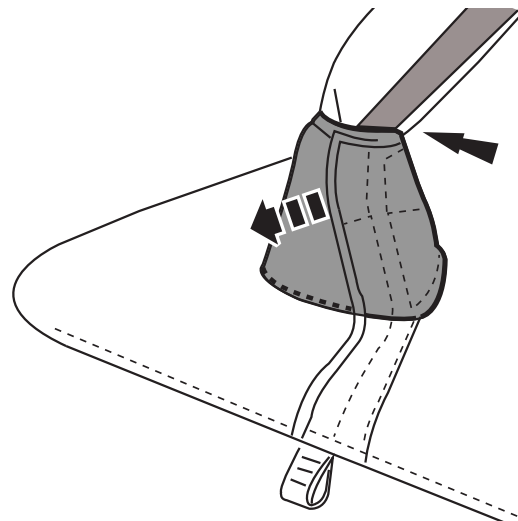
42

Start on the passenger side at the bottom of the back window and zip the tonneau cover to the back window.



43

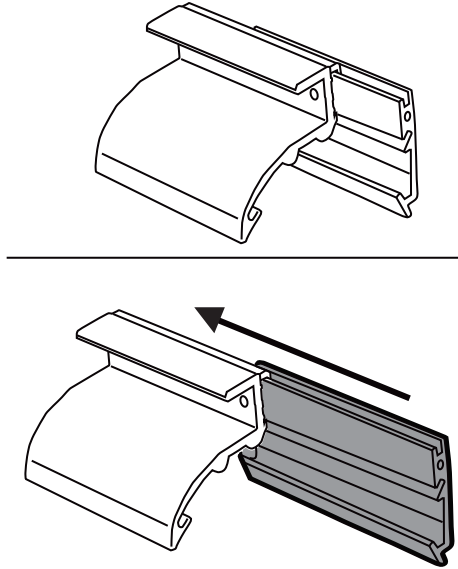
Connect the hook and loop collar flaps around the sport bar. Be sure to pull the seat belt inside here as well.



44

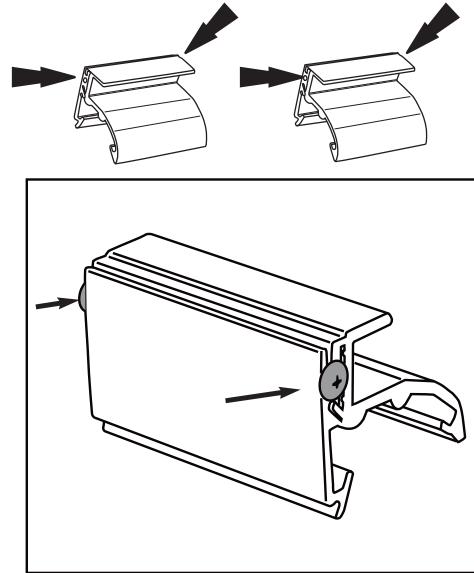
Installation Steps

Assemble the brackets by sliding the plastic backing onto the metal extrusion.



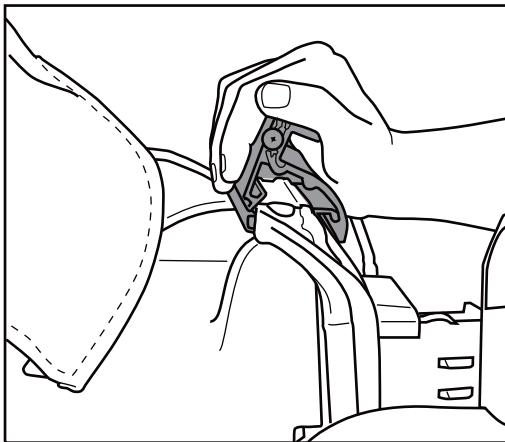
45

Secure with two screws in each bracket using pre-drilled holes.



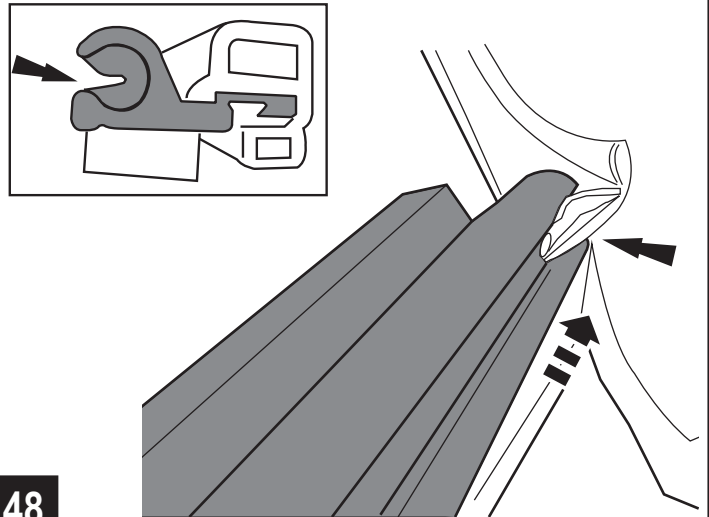
46

Install the Tailgate Bar brackets by hooking the front edge over the belt rail sheet metal. Close the clamp with downward pressure while pulling the backing tight. The and lock onto the underside of the tube edge. clamp will pop and lock onto the underside of the tube edge.



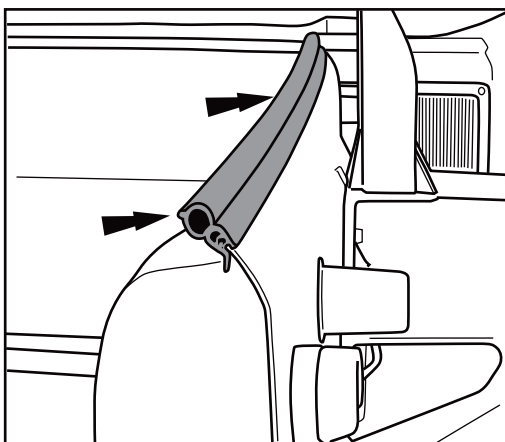
47

Slide the tailgate bar onto the rear of the tonneau cover, using the built-in C-channel to guide it over the flap and small tube.



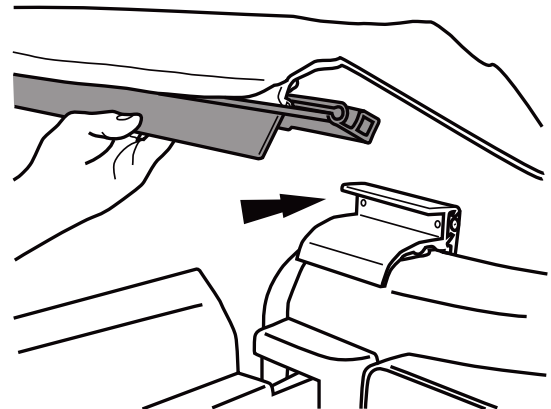
48

Fit the rubber gasket onto the top of the tailgate. Push the gasket down over the top edge of the tailgate to seal tightly. See below for proper orientation:



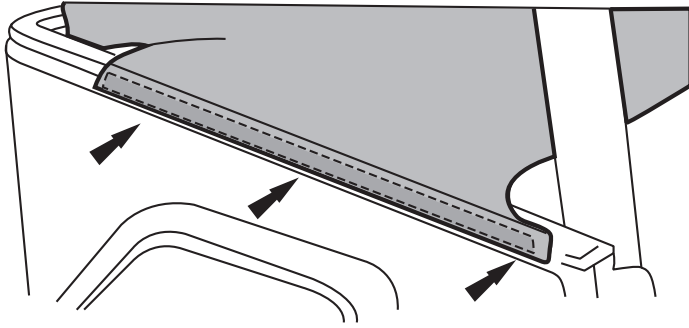
49

Insert the Tailgate Bar into the brackets by pushing the bar against the brackets and rotating it towards your body.



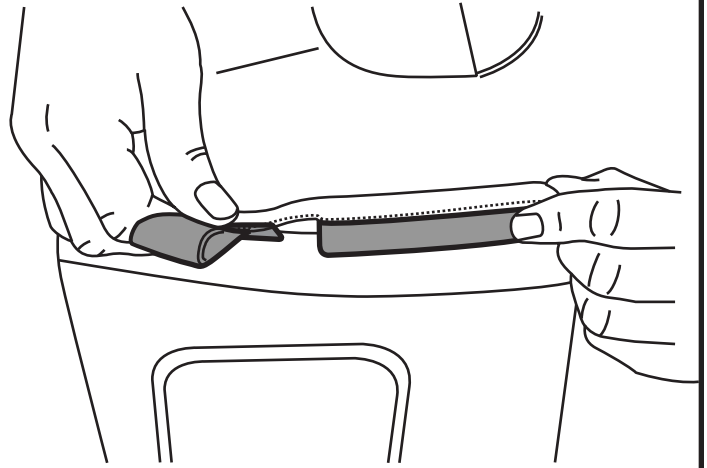
50

Tuck plastic strip into belt rail of vehicle body. It works best to start from the area and work your way back towards the rear.



51

Tuck the plastic strip into the belt rail of the tub at the rear corners taillight area.



52

Care and Cleaning

- Rampage parts are built to last. Use mild soap and dry clean cloth to wash your Trailview Tonneau Top.
- Do not use any harsh abrasive detergents or cleaning solvents of any kind.
- Periodically check and lubricate moving parts.

Congratulations!

You have purchased one of the many quality Rampage branded products offered by Lund International, Inc. We take the utmost pride in our products and want you to enjoy years of satisfaction from your investment. We have made every effort to ensure that your product is top quality in terms of fit, durability, finish and ease of installation.



Discover other soft tops and hard tops on our website.